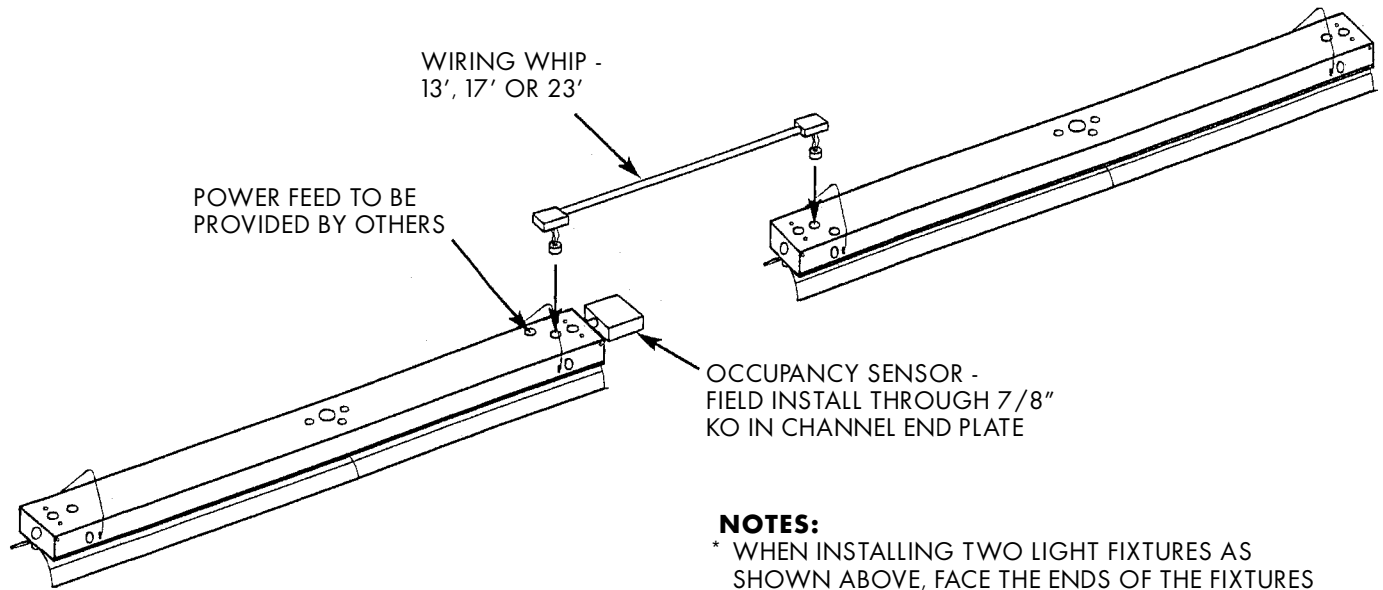


88 SERIES



NOTES:

* WHEN INSTALLING TWO LIGHT FIXTURES AS SHOWN ABOVE, FACE THE ENDS OF THE FIXTURES WHICH HAVE (3) 7/8" KO'S (AT THE END OF THE CHANNEL) TOWARDS EACH OTHER. THIS IS ALSO THE END OF THE FIXTURE WHICH CONTAINS THE BALLAST.

* FIXTURES SPACED —
-12', 16', OR 22' APART

For wiring schematics refer to back side of this sheet

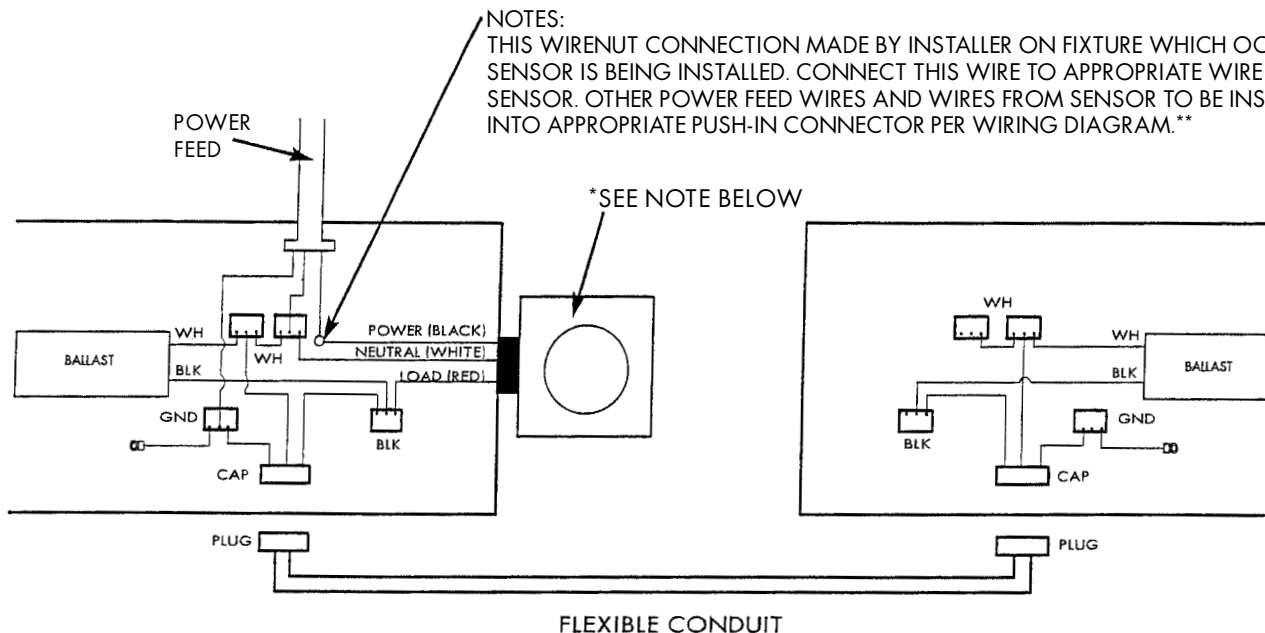
NOTE: Fixture is to be installed by a qualified electrician. Must be wired in accordance with the N.E. C. and state/local codes.

88-8-254T5H Installation
and wiring schematic using
Sensor Switch occupancy sensor

Part No. 7009013
DRW: 3646
5/27/04

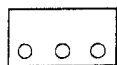


IMPORTANT: USE THIS WIRING SCHEMATIC FOR INPUT VOLTAGES OF 120, 240, 277, OR 347



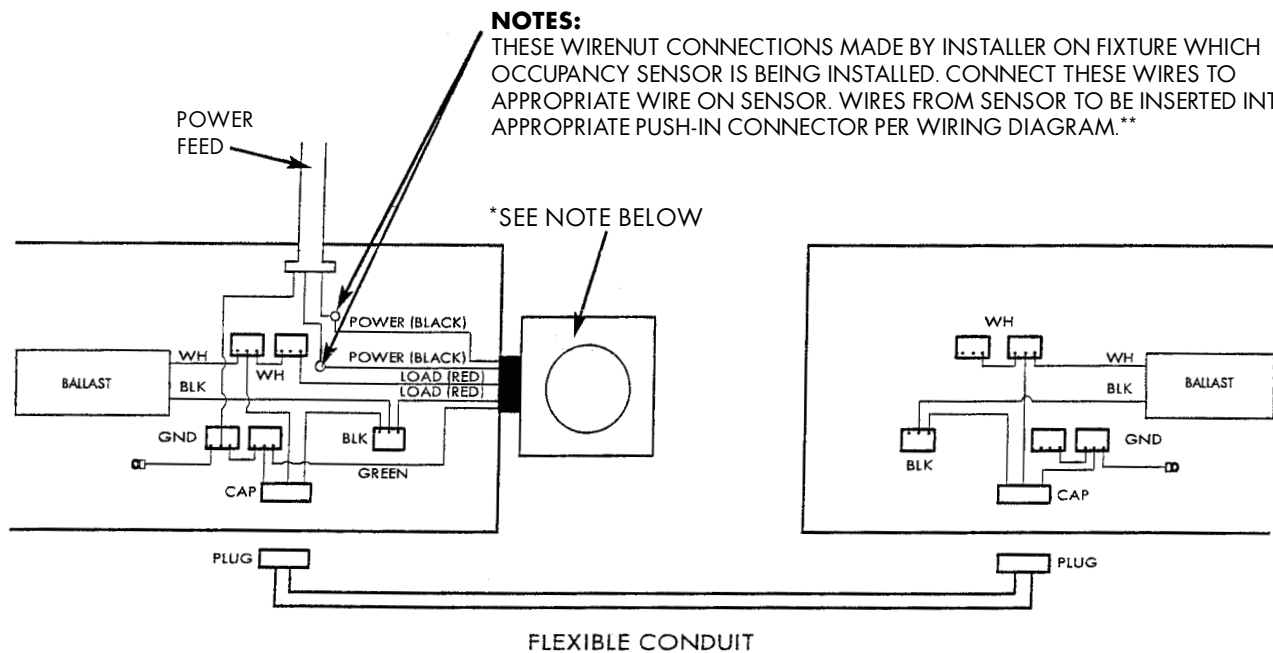
* OCCUPANCY SENSOR -
SENSOR SWITCH #CMRB-6 (120V, 240V, 277V, OR 347V INPUT) FIELD INSTALLED

**3 WIRE PUSH-IN WIRE NUT



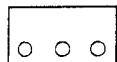
NOTE: PUSH-IN WIRE NUT ACCEPTS SOLID OR STRANDED WIRE 20-12 GA.

IMPORTANT: USE THIS SCHEMATIC FOR INPUT VOLTAGES OF 208 3Ø, 240 3Ø, OR 480 3Ø



* OCCUPANCY SENSOR -
SENSOR SWITCH #CMB-480-2P (208V 3Ø, 240V 3Ø, OR 480V 3Ø INPUT) FIELD INSTALLED

**3 WIRE PUSH-IN WIRE NUT



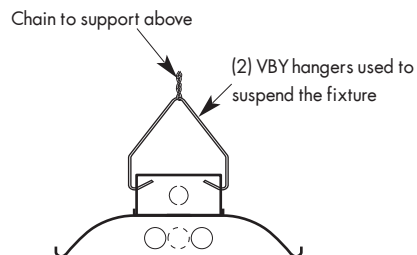
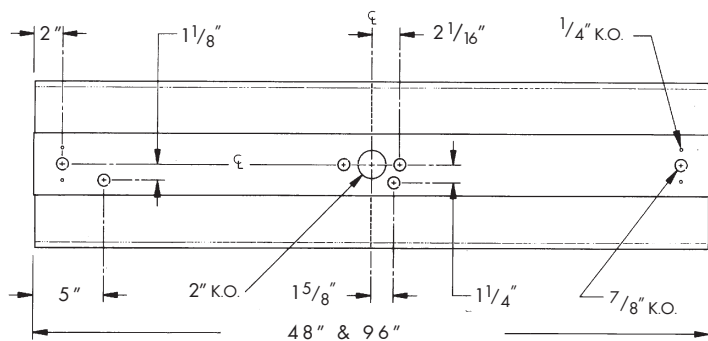
NOTE: PUSH-IN WIRE NUT ACCEPTS SOLID OR STRANDED WIRE 20-12 GA.



Installation Instructions Industrial fixture



- 1 Each Williams industrial fixture has a center 2" K.O. and 7/8" K.O.'s
- 2 Attach chain onto VBY hanger – attach VBY hanger to the fixture
- 3 Suspend fixture using chain and VBY hanger
- 4 Power can be supplied to the fixture using a 7/8" K.O. on the fixture's back – and bringing a piece of "flex" and connector into the fixture – simply plug the connector through the 7/8" K.O. and make electrical connections in the fixture. The 2" center K.O. can be used when an outlet box is directly above the fixture K.O. for surface mounting



NOTE: 8' fixture uses (2) 4' reflectors
Typical Back Detail

Applicable Fixture Series

Series 80, 81, 82, 83, 84, 85, 88



A Visible Difference