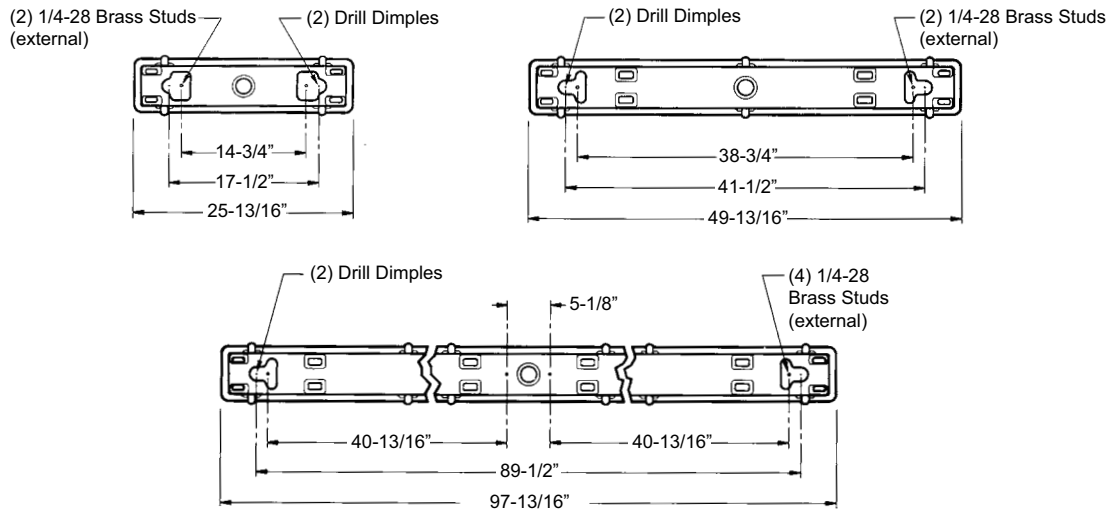


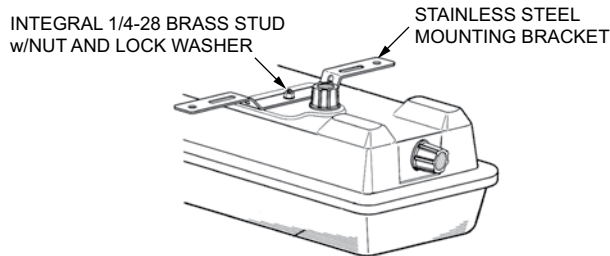
# INSTALLATION INSTRUCTIONS FOR USE WITH 92/93 SERIES

**\*\* Installation of these products should only be performed by a qualified electrician. \*\***

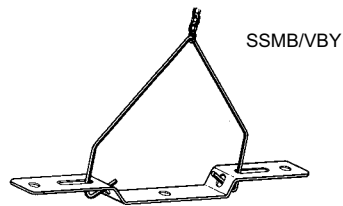
1. Fixture is supplied with (2) 1/4-28 brass studs for fixture mounting at the dimensions indicated below.



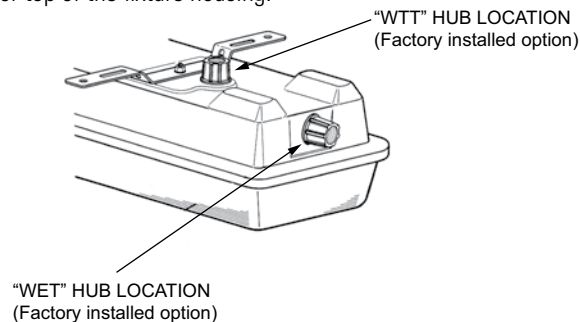
2. For surface mounting use (2) brackets (fixture catalog suffix "SSMB"). Attach to 1/4-28 studs in housing with supplied nut and lock washer.



3. For VBY or chain hanging, VBY hanger can be attached to mounting brackets as shown below.



4. For electrical connections, drill dimples are provided at the dimensions shown above (instruction 1), or fixture can be ordered with factory installed "WET" hub out the end or top of the fixture housing.



FLUORESCENT LIGHTING