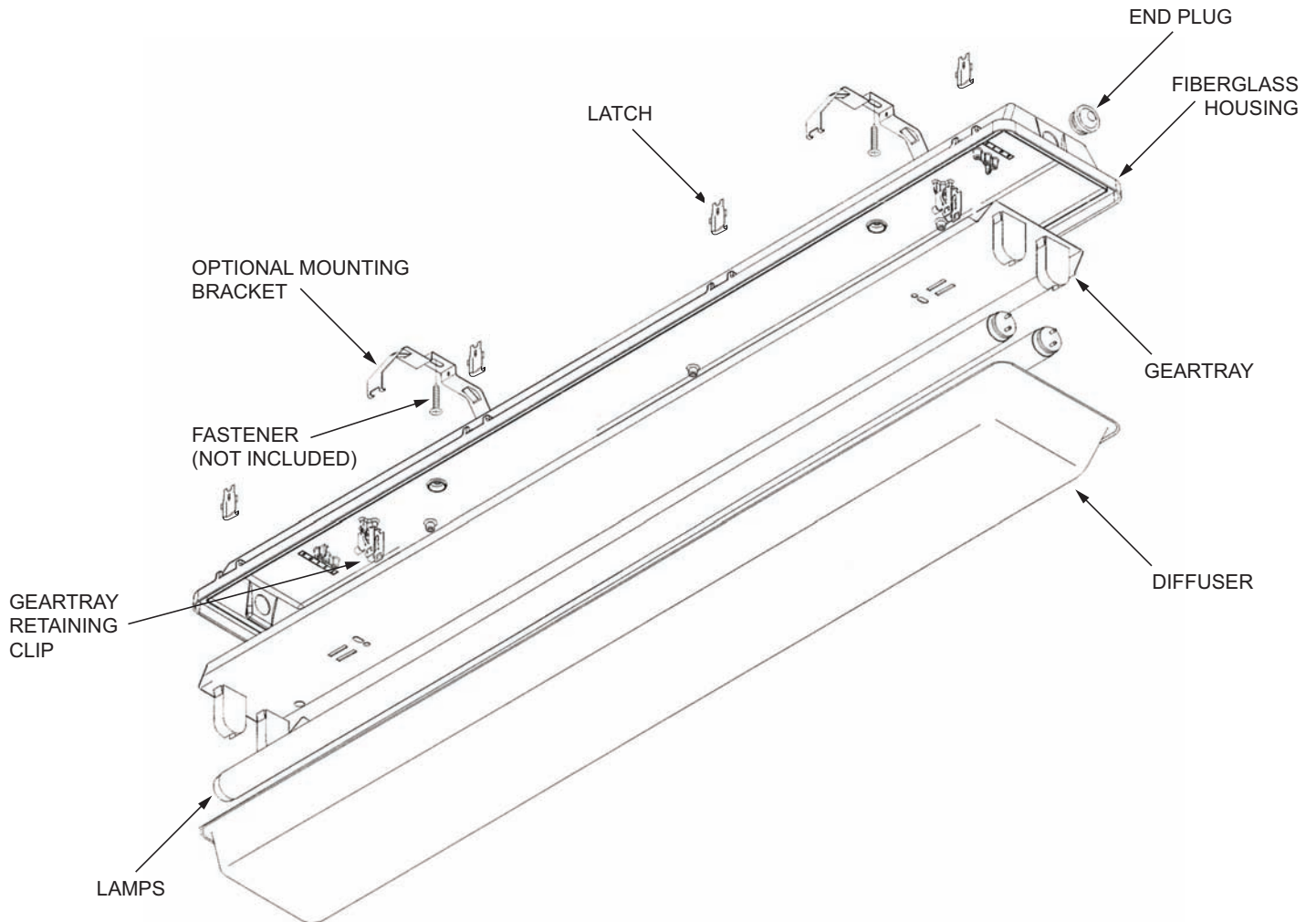


# INSTALLATION INSTRUCTIONS FOR USE WITH SERIES 95 & 96

**\*\* Installation of this product should only be performed by a qualified electrician. \*\***

## **SECTION 1:**



1. Use the illustration above when assembling or disassembling of the 95 and/or 96 series fixture may be required.

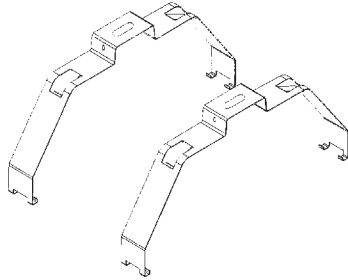


# INSTALLATION INSTRUCTIONS FOR USE WITH SERIES 95 & 96

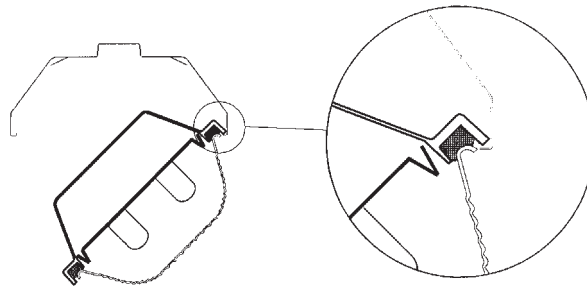
**\*\* Installation of this product should only be performed by a qualified electrician. \*\***

## **SECTION 2:**

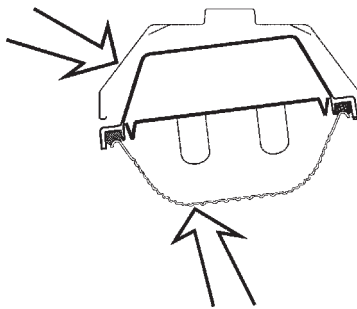
1. Securely attach mounting brackets (2) to mounting surface. The 95/96 enclosure will engage the mounting brackets at any point along its length, except for where there are latches. It is recommended that the dimension between the brackets equal about 70-80% of the enclosure's length.



2. Insert one side of the 95/96 housing into the mounting brackets.



3. Push up on the enclosure and then press in on the mounting bracket until the mounting bracket clicks into place.



4. Verify that the enclosure is fully supported before connecting to a power supply.

