

HETR

Installation Instructions

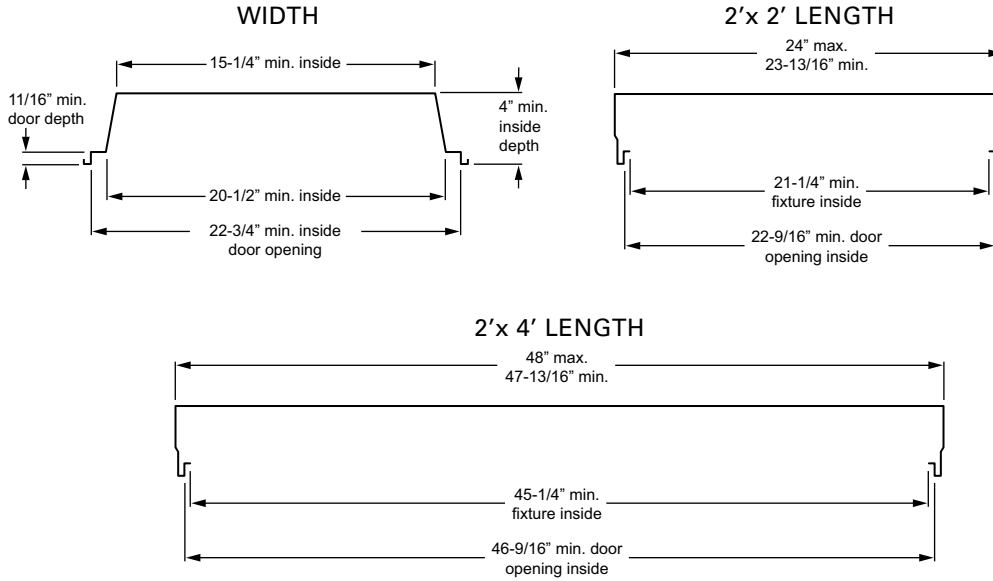
- ▲ **WARNING:** Fixture must be installed by a qualified electrician in accordance with any NEC, CEC, state, and/or local code requirements. This retrofit kit is not for use with all fixture bodies.
- ▲ **WARNING:** Risk of fire or electric shock. Reflector kit installation requires knowledge of fluorescent lighting luminaires electrical systems. If not qualified, do not attempt installation. Contact a qualified electrician.
- ▲ **WARNING:** Risk of fire or electric shock. Install the kit only in the luminaires that have the construction features and dimensions shown in the photographs and/or drawings.
- ▲ **WARNING:** To prevent wiring damage or abrasion, do not expose wiring to edges of sheet metal or other sharp objects.
- ▲ **Do not make or alter any open holes in an enclosure of wiring or electrical components during kit installation.**



FLUORESCENT LIGHTING

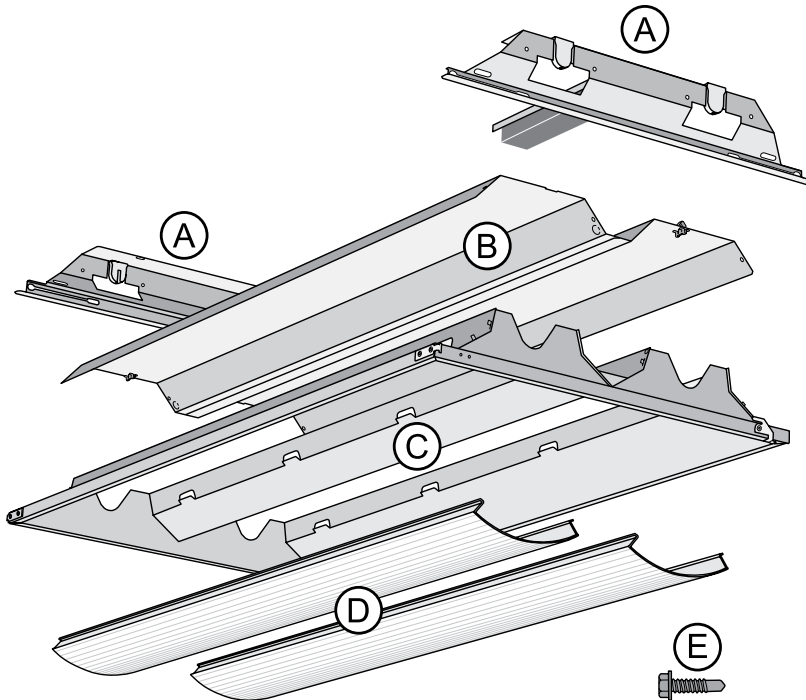
H.E. Williams, Inc.
Carthage, Missouri
417-358-4065

The HETR retrofit kit is designed to fit the following fixture housing dimensions. H.E. Williams, Inc. recommends a trial installation prior to purchasing full quantities.



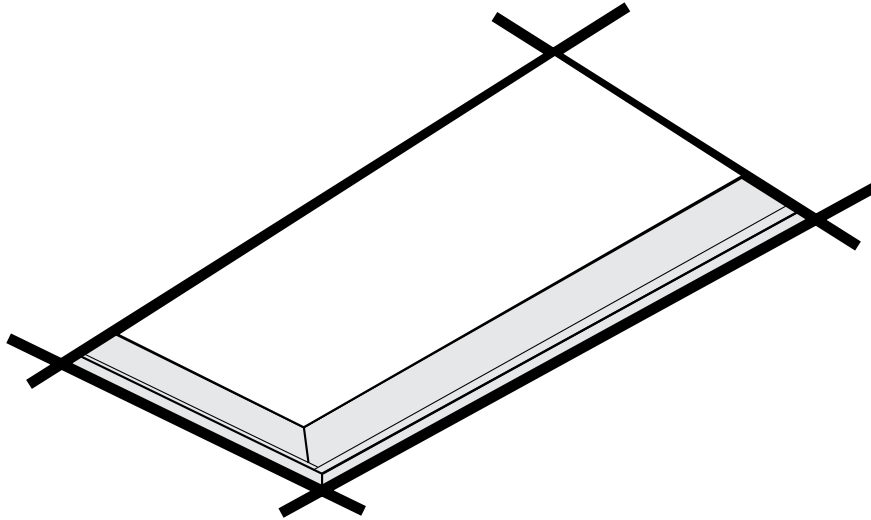
Parts List:

- A** (2) End plate assembly with ballast(s) and sockets prewired.
- B** (2) Wireway cover/reflector with 1/4-turn latch.
- C** (1) Door assembly.
- D** (2) Frosted, ribbed acrylic lens.
- E** (4) #8 x 1/2" hex washer head self drilling sheet metal screws.

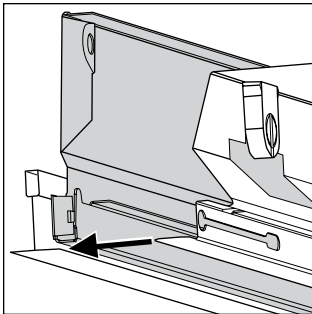


H.E. Williams, Inc.
Carthage, Missouri
417-358-4065

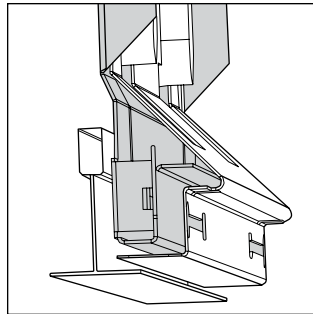
1. Shut off power to existing fixture. Disconnect power supply wires to existing ballast.
2. Remove existing door/louver and all interior parts, including lamps, ballasts and sockets. Dispose of according to state and local code requirements. Please recycle all reusable parts.



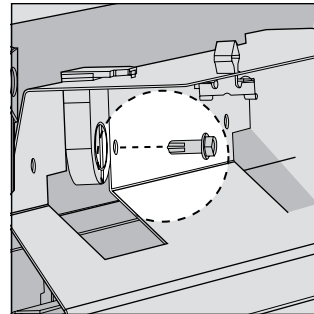
3. Install endplate assembly using the three steps illustrated below. Repeat steps at opposite end with the remaining endplate assembly.



3.1 Position endplate inside housing parallel to end of fixture and insert flange between T-grid and existing housing.

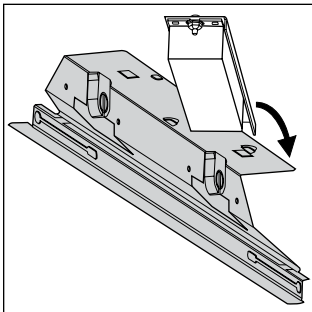


3.2 Flange shown properly located between T-grid and existing housing.

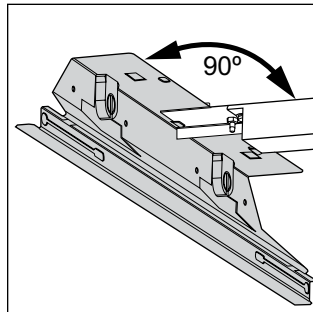


3.3 Attach endplate to housing with factory-supplied screws using 2 of the 4 pilot holes provided.

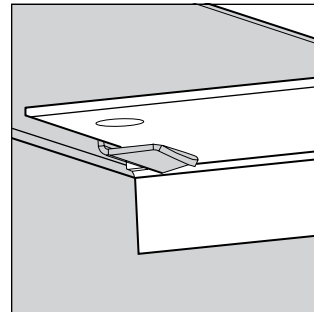
4. Rotate ballast and ballast plate. Repeat as necessary.



4.1 Rotate ballast and ballast plate 90°.



4.2 Ballast plate should be perpendicular to endplate and secured under endplate tab.



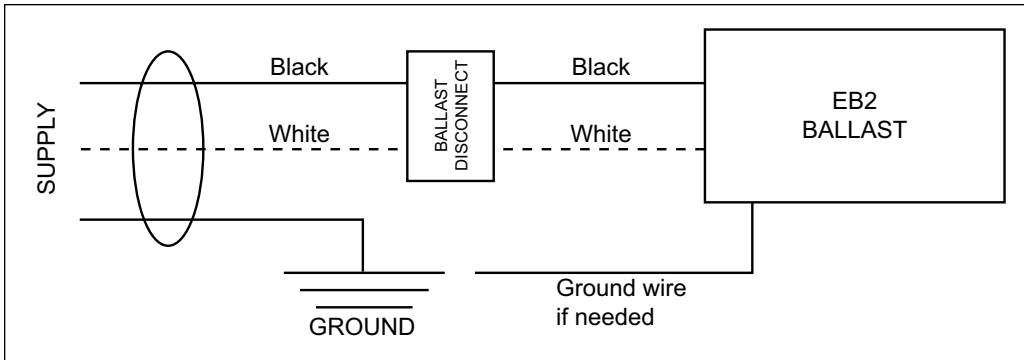
4.3 Detail shows ballast plate "locked" in position beneath endplate tab.



FLUORESCENT LIGHTING

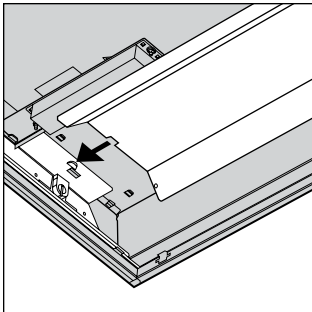
H.E. Williams, Inc.
Carthage, Missouri
417-358-4065

5. Attach power supply and ground wires using UL listed wire connectors. Ballast disconnect accepts #12 - #16 AWG stranded or solid wire.

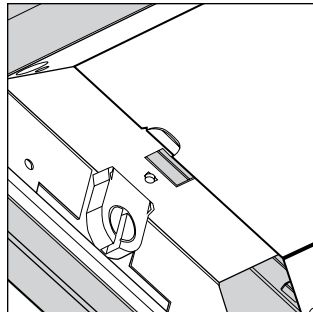


Please consult factory for other ballast configurations or emergency ballast wiring diagrams.

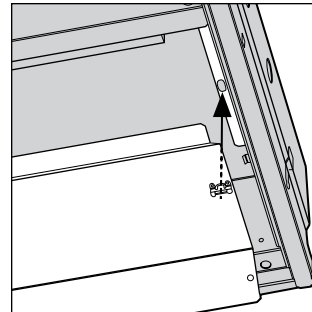
6. Install reflectors/wireway covers.



6.1 Insert the notched end of wireway cover/reflector into formed lip on endplate.

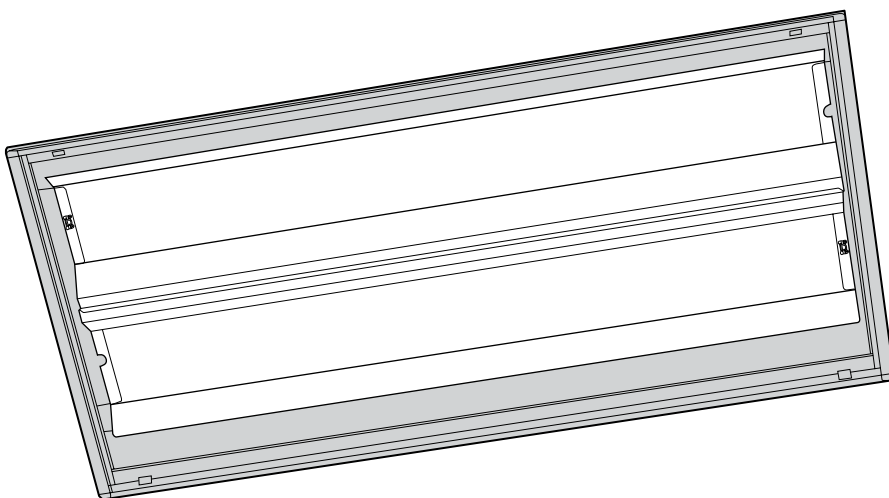


6.2 Detail shows wireway properly inserted under tab in endplate.



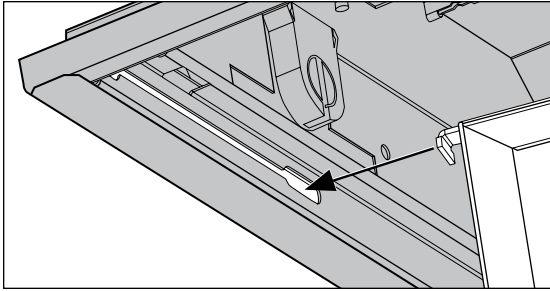
6.3 Align 1/4-turn latch on opposite end with hole provided in endplate. Insert and turn to lock into place.

Repeat procedure with second wireway cover/reflector rotated 180°, positioning it next to and slightly overlapping first wireway cover/reflector as illustrated below.

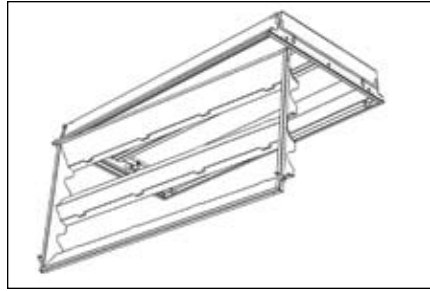


H.E. Williams, Inc.
Carthage, Missouri
417-358-4065

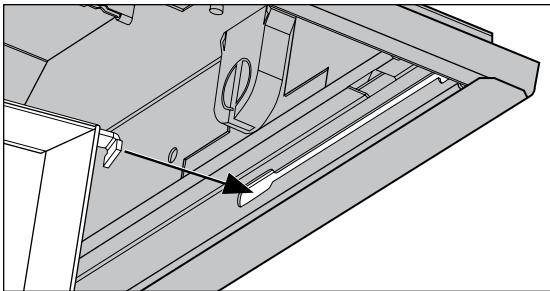
7. Install the door assembly as illustrated in the four steps shown below.



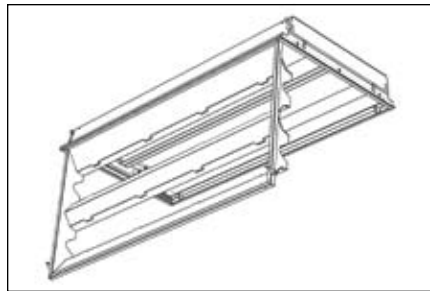
7.1 Insert door hinge into slot provided.



7.2 Slide door hinge toward corner of fixture.

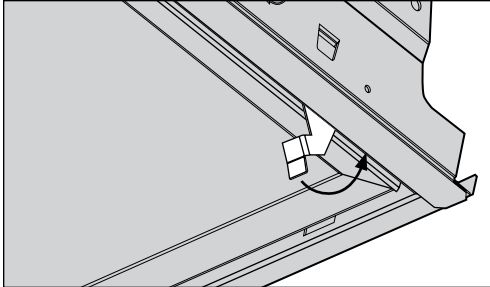


7.3 Insert opposite end hinge into slot.

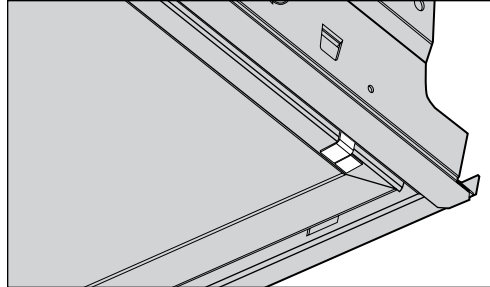


7.4 Slide door hinge toward corner of fixture.

8. Insert lamps, close and latch door.

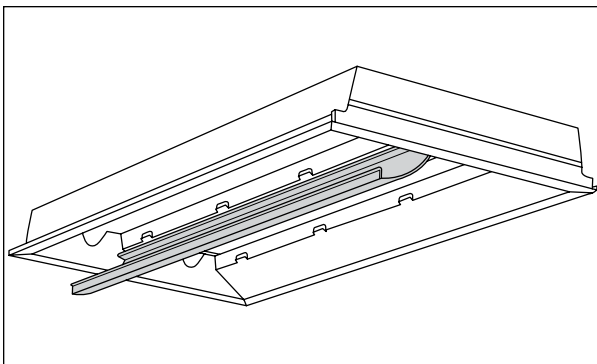


8.1 Rotate latch to close and secure door.

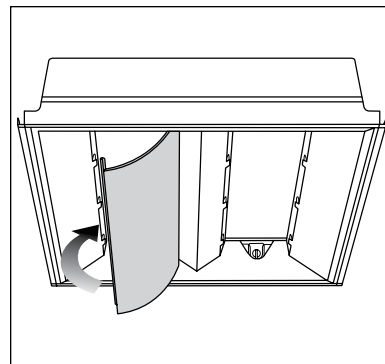


8.2 Latch closed, door secured.

9. Install acrylic diffusers.



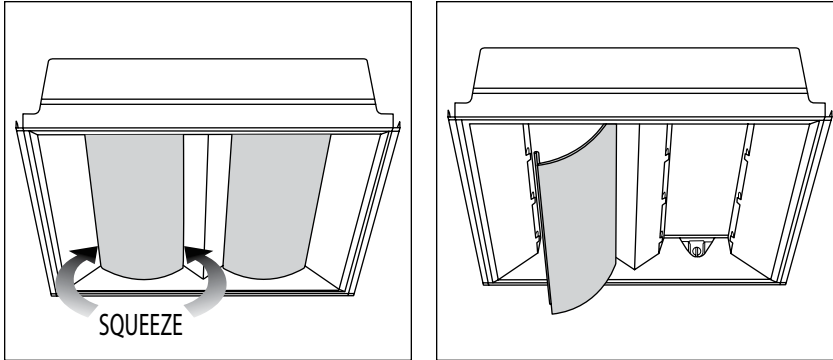
9.1 Insert one edge of diffuser in slots provided in door. Gently squeeze the diffuser and insert second edge into slots provided on opposite side. Repeat with second diffuser.



FLUORESCENT LIGHTING

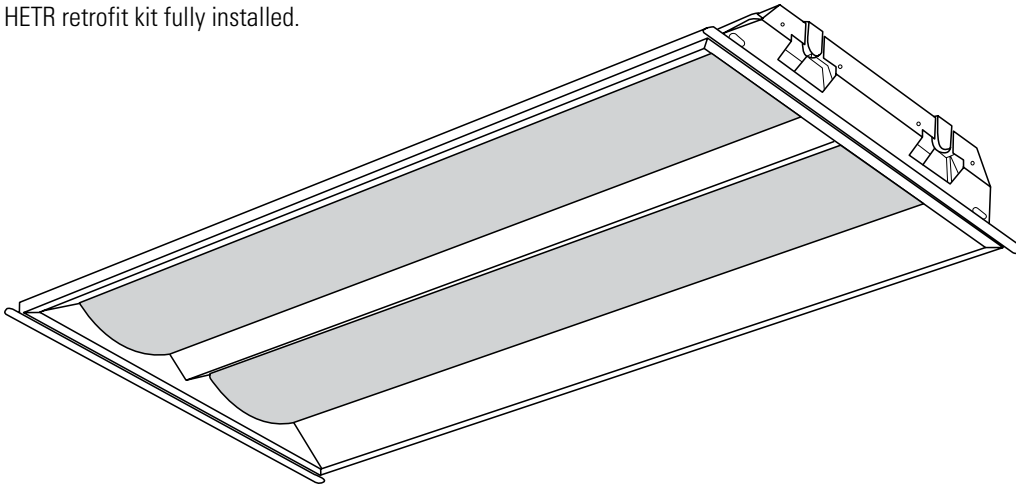
H.E. Williams, Inc.
Carthage, Missouri
417-358-4065

- 10.** Remove acrylic diffusers to service and install lamps (T5 only). T8 lamps can be installed and serviced by opening the door assembly.



10.1 Gently squeeze the diffuser to release flange from slots. Repeat with second diffuser.

- 11.** HETR retrofit kit fully installed.



FLUORESCENT LIGHTING

H.E. Williams, Inc.
Carthage, Missouri
417-358-4065