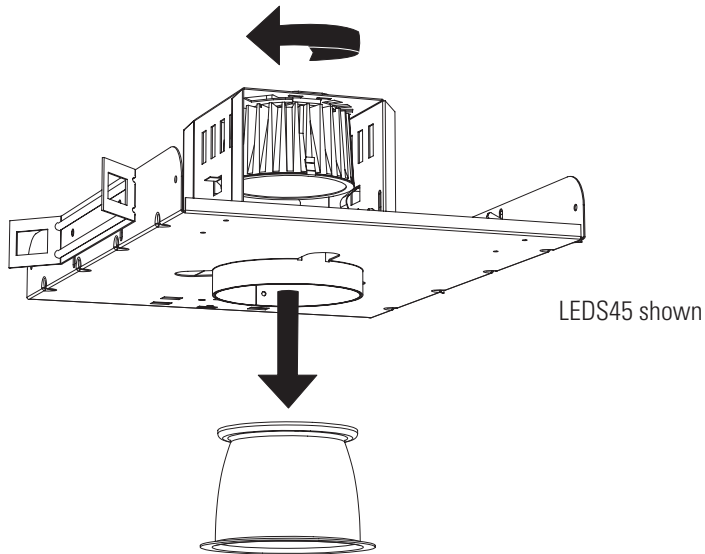


ACCESS TO LED MODULE FOR USE WITH SERIES: ICLEDS45, ICLEDS60, LEDS45, and LEDS60

**** Installation of this product should only be performed by a qualified electrician. ****

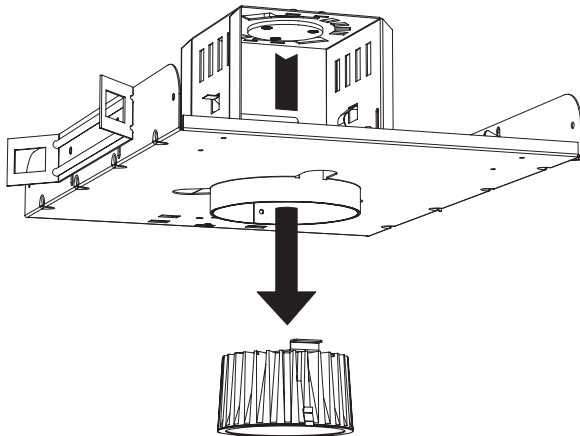
1.

To uninstall LED module for maintenance, first remove the reflector by grasping the flanges accessible below ceiling plane. Then, reach hand inside the fixture and rotate the the LED module counter-clockwise.



2.

Remove loosened module from fixture to perform whatever maintenance is required. If necessary, unplug cord from module before pulling too far away from the fixture.



3.

To reinstall, simply reverse procedures in steps 2 and 1.

