

GLA

ARCHITECTURAL T5 or T8 HIGH-BAY

Shown with
6 T5 lamps
and louver

The GLA is a stylish, energy efficient alternative to traditional HID high-bay or low-bay lighting. T5 or T8 fluorescent lamps produce comparable light levels using **HALF THE ENERGY** and provide better color rendition than 400 watt metal halide fixtures.

GLA is perfect for big-box retailers, supermarkets, multi-purpose rooms – or anywhere an attractive fixture is needed at higher mounting heights. Extruded aluminum sides provide a modern appearance while 2, 4, or 6 lamps in cross-section accommodate a wide range of mounting heights and light levels. Uplight apertures illuminate the ceiling for a pleasing ambient quality of light.

Series GLA is available with a 1" deep louver that follows the housing contours and shields the lamps. Custom colors are available to put the finishing touches on your project.

Williams, A Visible Difference®.



A Visible Difference



Mounts with aircraft cable, Y-hanger and chain, or 3/4" conduit utilizing hub and splice box adapter

Extruded aluminum sides and ends, die-cast aluminum corners

Textured white powder coat

Die formed C.R.S. inner housing

All parts painted after fabrication to facilitate installation, increase efficiency, and inhibit rusting

Uplight apertures illuminate ceiling

Shallow fixture depth of less than 4" allows placement near ceiling for maximum space utilization

Available with 1" deep louver to minimize glare

Optional extruded aluminum door frame accepts many types of shielding, up to 1/2" depth

Custom colors are available

Compact electronic ballasts standard, rated Class P

UL listed to U.S. and Canadian safety standards as fluorescent luminaire suitable for dry or damp locations

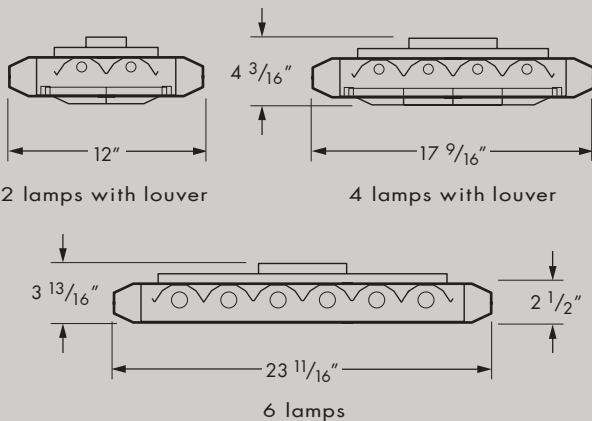
Shown with 4 T5 lamps

Highly specular MIRO 4™ aluminum reflector provides highly efficient, precise light distribution and resists dust accumulation

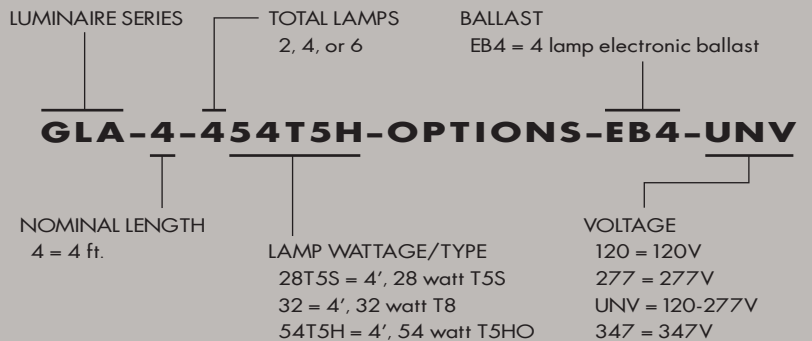
White reflector available

Available with 2, 4, or 6 T5 or T8 lamps in cross-section

CROSS SECTIONS



ORDERING INFO



Refer to specification sheets for complete ordering information