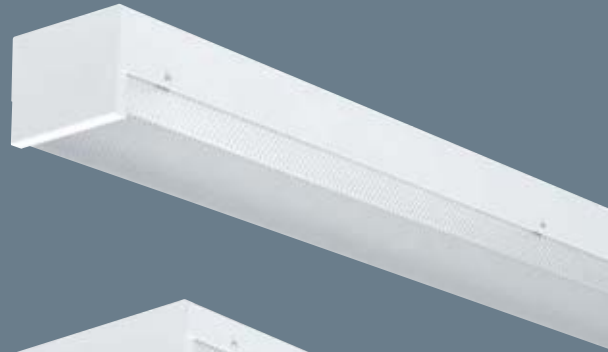


V5 V8 V12

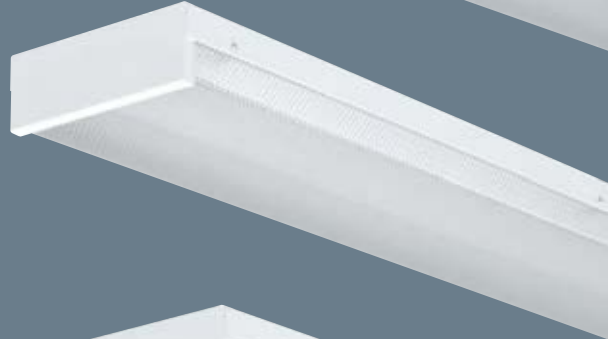
VANDAL RESISTANT WRAPS



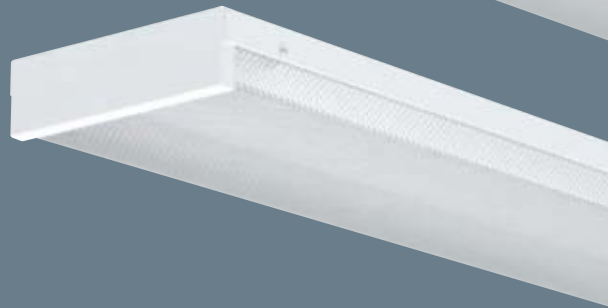
V5
5" wide
1 T5HO, 1 or 2 T5S
or T8 lamps



V8
8" wide
2 T5 or T8 lamps



V12
12" wide
3 or 4 T8 lamps



Series V5, V8, & V12 Vandal Resistant Wraps are built tough to resist even the most determined miscreants while providing efficient, quality light.

For durability and vandal resistance, Series V5, V8, and V12 are standard with .130" thick acrylic prismatic diffusers with 50% DR additive and heavy 20 gauge die formed and welded C.R.S. housings. Or, for even greater durability – .156" thick polycarbonate lens and heavier 16 gauge steel housing are available.

Tamper-resistant screws deter removal of the diffuser, and steel end caps envelop the diffuser ends for added strength. The wireway cover for the V8 and V12 serves as a reinforcing rib to the diffuser.



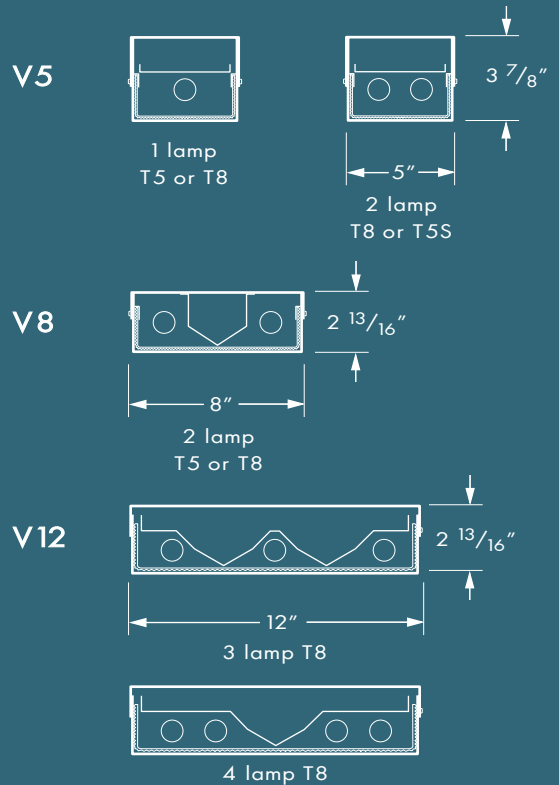
A Visible Difference



V5, V8, and V12 are ideal for schools, hallways, dormitories, locker rooms, or any vandal-prone area. Surface mount the fixture to ceilings or walls.

V5, V8, and V12 are constructed to the same high standards of quality that you have come to know and trust in H. E. Williams products.

CROSS SECTIONS



ORDERING INFO

Refer to specification sheets for complete ordering information

LUMINAIRE SERIES
 V5 = Vandal Wrap, 5" wide
 V8 = Vandal Wrap, 8" wide
 V12 = Vandal Wrap, 12" wide

NOMINAL LENGTH
 4 = 4 ft.

SHIELDING
 A = Acrylic, 50% DR additive
 PC = Polycarbonate lens

BALLAST
 EB2 = 2 lamp electronic ballast
 (Consult factory for complete ballast offering)

V516-4-232-PC-OPTIONS-EB2-120

HOUSING
 16 = 16 Ga. C.R.S.
 20 = 20 Ga. C.R.S.

TOTAL LAMPS
 1, 2, 3, or 4

LAMP WATTAGE/TYPE
 28T5S = 4', 28 watt T5
 32 = 4', 32 watt T8
 54T5H = 4', 54 watt T5HO

VOLTAGE
 120 = 120V
 277 = 277V
 UNV = 120-277V
 347 = 347V
 480 = 480V (T5 only)
 HRV = 347-480V (T5 only)