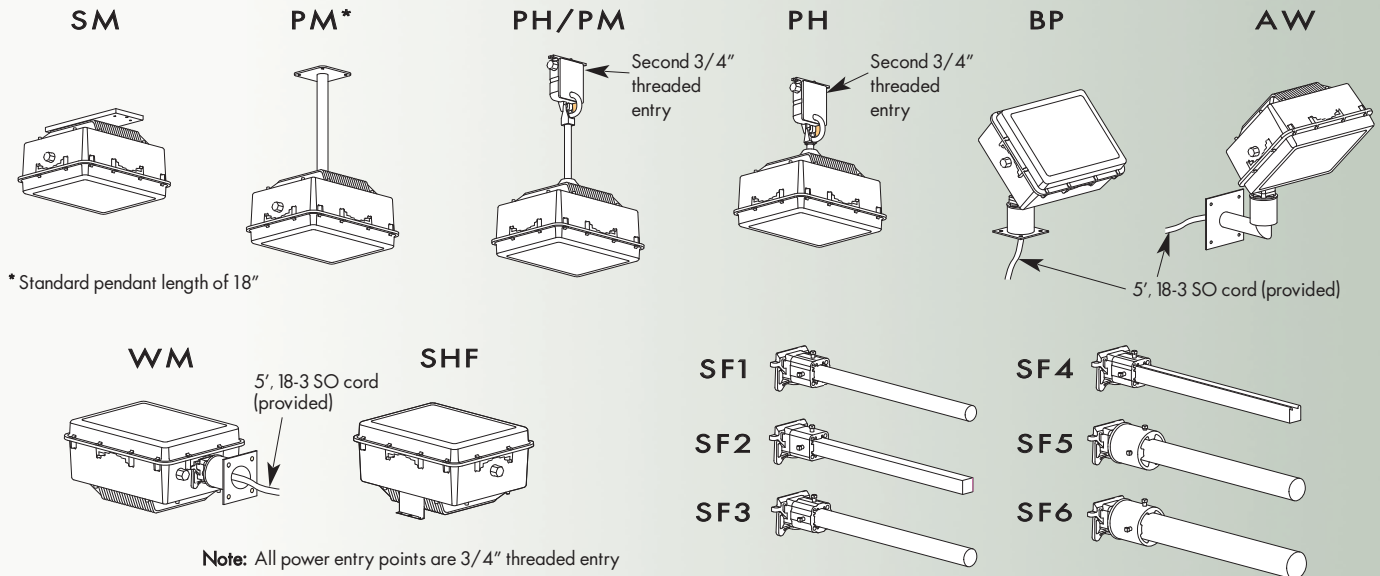


# INFORMATION

## INDUCTION MOUNTING OPTIONS

Consult factory for mounting specifications



## OPTION & ACCESSORY DESIGNATIONS

<b>277</b>	277 Volt	<b>HPS</b>	High Pressure Sodium
<b>347</b>	347 Volt.	<b>LD</b>	Luminous Disk
<b>(2)DIM</b>	2 Dimming Ballasts	<b>LR</b>	Luminous Ring
<b>(2)EB</b>	2 Electronic Ballasts	<b>MB</b>	Micro-Baffle
<b>AC</b>	Accent Cone	<b>MV</b>	Mercury Vapor
<b>BFL</b>	Baffled Trim	<b>MWT</b>	Matte White Trim
<b>BH</b>	Bar Hangers	<b>PB4C</b>	4 Cell Parabolic Louver
<b>BK</b>	Black Regressed Trim	<b>PB9C</b>	9 Cell Parabolic Louver
<b>BKSB</b>	Black Stepped Baffled w/White Trim	<b>PC</b>	Photocell
<b>BS</b>	Baffled Splay	<b>PFS</b>	Perforated Shield
<b>C73</b>	C73 Tempered Prismatic Glass Lens	<b>PM</b>	Pendant Mount
<b>CG</b>	Champagne Gold Reflector	<b>POLY</b>	Polycarbonate Lens
<b>CGS</b>	Clear Glass Shield	<b>PVS</b>	Polycarbonate Vandal Shield
<b>CP</b>	Chicago Plenum	<b>PW</b>	Pewter Reflector
<b>CS</b>	Clear Semi-Specular Reflector	<b>QRS</b>	Automatic Standby Lighting
<b>DAL</b>	Drop Acrylic Lens (Prismatic)	<b>RDIM</b>	Residential Dimming Ballast
<b>DF</b>	Double Face	<b>RFI</b>	Radio Frequency Suppressor
<b>DHL</b>	Drop Holophane Lens	<b>SCA</b>	Slope Ceiling Adapter (specify degree)
<b>DIM</b>	Electronic Dimming Ballast	<b>SF</b>	Single Face
<b>DO</b>	Drop Opal Lens	<b>SG</b>	Satin-Glow Reflector
<b>DPL</b>	Drop Polycarbonate Lens (Prismatic)	<b>SS</b>	Smooth Splay
<b>EB</b>	Electronic Ballast	<b>STR</b>	Straw Reflector
<b>EM</b>	PL Emergency Battery Pack	<b>TP</b>	Tamper Proof
<b>F</b>	Fuse	<b>UM</b>	Umber Reflector
<b>FF</b>	Fresnel Lens	<b>VZ</b>	Visor
<b>FK</b>	Flange Kit	<b>WET</b>	Wet Location
<b>GD</b>	Gold Reflector	<b>WG</b>	Wire Guard (steel door only)
<b>GMF</b>	HLR-GMF Style Slow Blow Fuse	<b>WM</b>	Wall Mount
<b>HOL</b>	Holophane Control Lens	<b>WT</b>	Wheat Reflector
<b>HORZ</b>	Horizontal Mounted Lamp	<b>WW</b>	Wall Wash