

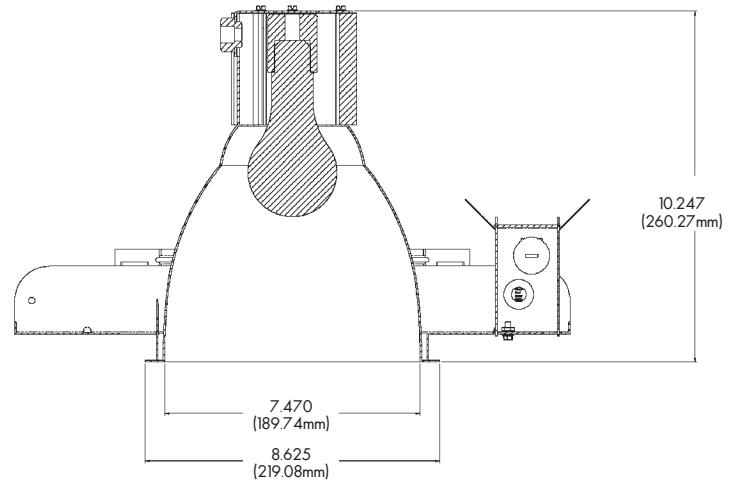
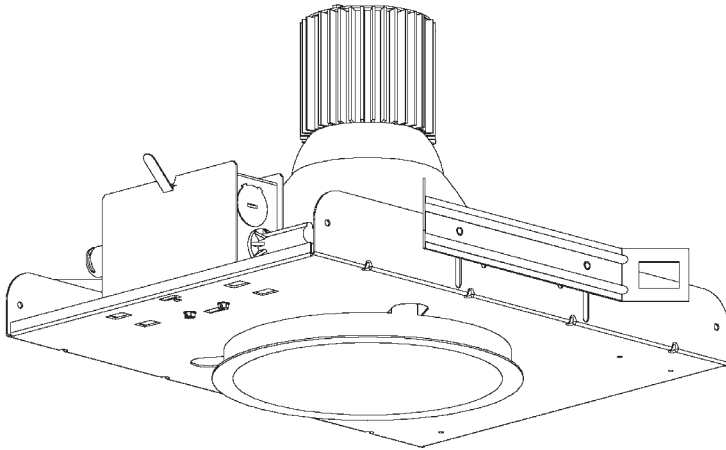
INCANDESCENT

JOB _____

TYPE _____

VOLTAGE _____

7.5" ROUND RECESSED DOWNLIGHT A LAMP



PAN SIZE: 12" x 16-1/4"
PAN SIZE w/SCA: 17" x 23"

CEILING CUT OUT: 8-1/8"
CEILING CUT OUT w/SCA: 10-5/8"

CATALOG NUMBER

SERIES	WATTAGE	LAMP BASE	VOLTAGE
A75	60	A19IF/MED	
A75	75	A21IF/MED	
A75	100	A21IF/MED	
A75	150	A21IF/MED	
A75	200	A21IF/MED	

- Standard self-flanged aluminum reflector with semi-specular, low-iridescent (CS) finish.
- Finned, extruded aluminum heat sink socket housing.
- Porcelain socket.
- Pan/plaster mounting frame: galvanized steel construction.
- Adjustable hanger brackets with bar hangers standard.
- Prewired at factory for easy field installation.
- Insulation detector.
- Easy-access, 14-gauge galvanized steel junction box with two snap-on covers.
- UL/CUL listed for through-branch circuit wiring and dry or damp locations. UL/CUL listed for wet location under covered ceiling when specified with ___/C73, ___/CGS, or ___/FF option.
- This fixture is proudly made in the USA.

OPTIONS & ADDERS

SUFFIX

Clear semi-specular reflector	CS
Clear specular reflector	SPC
Straw reflector	STR
Champagne gold reflector	CG
Gold reflector	GD
Wheat reflector	WT
Pewter reflector	PW
Satin-glow reflector	SG
Fuse	F
Slope Ceiling Adapter (Specify Degree) 5° Increments *10-30°	SCA (DEG.)
Matte white trim	MWT
277-volt	277
Accent cone with clear prismatic tempered glass lens (Please specify; not to exceed 100 watt)	AC/C73
Accent cone with clear glass lens (Please specify; not to exceed 100 watt)	AC/CGS
Accent cone with fresnel glass lens (Please specify; not to exceed 100 watt)	AC/FF
Micro-baffle with clear prismatic tempered glass lens (Please specify; not to exceed 100 watt)	MB/C73
Micro-baffle with clear glass lens (Please specify; not to exceed 100 watt)	MB/CGS
Micro-baffle with fresnel glass lens (Please specify; not to exceed 100 watt)	MB/FF
Luminous disk	LD
Luminous disk open	LDO
Luminous ring	LR
Perforated Shield w/LD, LDO or LR (Please specify)	PFS/
Wall Wash (Not available with MB option)	WW
Horizontal Mounted Lamp (Overall height 7.00")	HORZ
Micro-baffle	MB
Chicago plenum (CP)	CCEA
Yoke mount reflector	YOKE

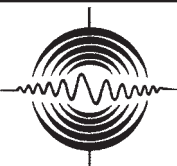
Williams
DOWNLIGHTING

FIXTURE SUBMITTED/APPROVED

PHOTOMETRIC DATA

A75-200-A21IF/MED

1618 HEADLAND DR.
FENTON, MO 63026
(314) 343-6006
(314) 343-6051 FAX



BUILDING ACOUSTICS & LIGHTING LABORATORIES, INC.

Report No: **10718.0**

Date: **6/20/00**

Description: **1/200W A21IF Incandescent 7.5" dia Recessed Downlight Luminaire
Low-Iridescent Specular Reflector w/Open Bottom**

Catalog No: **A75-200-A21IF/MED**

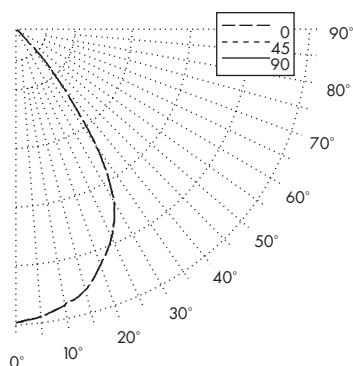
Lamp Type: **200A21IF**

Rated Lumens: **3930.**

No. Lamps: **1**

CANDLEPOWER DISTRIBUTION

VERT ANG	AVERAGE CANDELA	ZONAL LUMENS
0	2493.	
5	2446.	233.5
10	2374.	
15	2288.	648.5
20	2109.	
25	1915.	886.3
30	1628.	
35	1086.	682.2
40	419.	
45	39.	30.4
50	8.	
55	3.	2.6
60	1.	
65	0.	0
70	0.	
75	0.	0
80	0.	
85	0.	0
90	0.	



ZONAL CAVITY COEFFICIENTS OF UTILIZATION

EFFECTIVE FLOOR CAVITY REFLECTANCE = .20

CEILING WALL RCR	80				70				50				30				
	70	.50	30	.10	70	.50	30	.10	50	.30	.10	.50	30	.10	.50	.30	.10
0	.75	.75	.75	.75	.73	.73	.73	.73	.70	.70	.70	.67	.67	.67			
1	.72	.71	.69	.68	.71	.69	.68	.67	.67	.66	.65	.64	.63	.63			
2	.69	.66	.64	.62	.67	.65	.63	.61	.63	.61	.60	.61	.60	.58			
3	.66	.62	.59	.57	.64	.61	.58	.56	.59	.57	.55	.58	.56	.54			
4	.62	.58	.55	.52	.61	.57	.54	.52	.56	.53	.51	.55	.52	.51			
5	.59	.54	.51	.48	.58	.54	.50	.48	.53	.50	.48	.52	.49	.47			
6	.57	.51	.48	.45	.56	.51	.48	.45	.50	.47	.45	.49	.46	.44			
7	.54	.48	.45	.42	.53	.48	.45	.42	.47	.44	.42	.46	.44	.42			
8	.51	.45	.42	.39	.50	.45	.41	.39	.44	.41	.39	.44	.41	.39			
9	.48	.42	.38	.36	.47	.42	.38	.36	.41	.38	.36	.41	.38	.36			
10	.45	.39	.36	.33	.45	.39	.36	.33	.38	.35	.33	.38	.35	.33			

FIXTURE QUANTITY QUICK ESTIMATOR TABLES

REFLECTANCE: Ceiling = 80%
Walls = 50%
Floor = 20%

LIGHT LOSS FACTOR: 1.0

Room Size - 10' Ceiling	±50 ftc	±75 ftc	±100 ftc
Small - 400 Sq Ft	9	16	16
Medium - 900 Sq Ft	16	30	36
Large - 1600 Sq Ft	30	49	64

LUMEN SUMMARY

ZONE	LUMENS	%LAMP	%FIXT	ZONE	LUMENS	%LAMP	%FIXT	
0-30	1768.	45.0	71.2	90-120	0.	.0	.0	
0-40	2451.	62.4	98.7	90-130	0.	.0	.0	
0-60	2484.	63.2	100.0	90-150	0.	.0	.0	
0-90	2484.	63.2	100.0	90-180	0.	.0	.0	
TOTAL LUMINAIRE =					0-180	2484.	63.2	100.0

IES SPACING CRITERIA: ADJACENT = 1.0 DIAGONAL = .7

LUMINANCES FOOT LAMBERTS

VERT ANG	HORIZ ANG
45	1933.
55	175.
65	0.
75	0.
85	0.

MAXIMUM BRIGHTNESS NOT MEASURED

COLOR CONVERSION FACTORS

Straw = x .97
Champagne = x .96
Micro-baffle = x .60
Gold = x .93
Wheat = x .88
Pewter = x .86



H.E. WILLIAMS, INC.

LIGHT CONE QUICK CALCULATOR TABLES

MNT HGT-FT	FC at Edge of Cone	FC at Nadir	Adjacent	Cone Dia. Diagonal
8	19.5	39.0	8.0	5.6
10	12.5	24.9	10.0	7.0
12	8.7	17.3	12.0	8.4
14	6.4	12.7	14.0	9.8
16	4.9	9.7	16.0	11.2
18	3.8	7.7	18.0	12.6
20	3.1	6.2	20.0	14.0