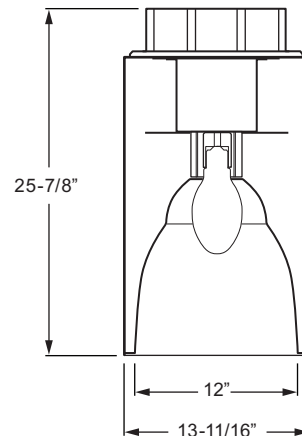
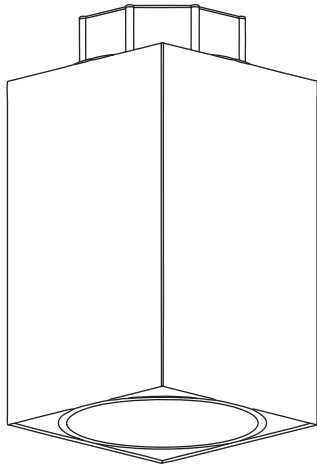


## 13" OPEN RATED SQUARE SURFACE MOUNT CYLINDER REQUIRES MP SERIES LAMP



### CATALOG NUMBER

SERIES	WATTAGE	LAMP BASE	VOLTAGE
OMHSQC13	100	ED28-MP-MOG	
OMHSQC13	150*	ED28-MP-MOG	
OMHSQC13	250*	ED28-MP-MOG	

\* HPS only.

- Standard self-flanged aluminum reflector with semi-specular low-iridescent (CS) finish.
- Standard cylinder colors are bronze, black, or white (must specify when ordering).
- Heavy-gauge die-formed and welded aluminum housing.
- Porcelain socket.
- Pendant mount (indoor applications only) and wall mount available as options.
- Encapsulated core and coil ballast: dual tap (120/277).
- Prewired at factory for easy field installation.
- Lamp by others.
- Custom colors available.
- UL/CUL listed for dry or damp locations.
- This fixture is proudly made in the USA.

### OPTIONS & ADDERS

### SUFFIX

White housing	WHT
Black housing	BLK
Bronze housing	BRZ
Clear semi-specular reflector	CS
Clear specular reflector	SPC
Straw reflector	STR
Champagne gold reflector	CG
Gold reflector	GD
Wheat reflector	WT
Pewter reflector	PW
Satin-glow reflector	SG
Fuse	F
High pressure sodium	Prefix HPS-
208, 240, 347, 480 volt	(#) VOLT
Wall mount	WM
Pendant mount	PM
(Swivel canopy w/24" stem, indoor applications only)	
Electronic ballast (Consult factory)	EB

**FIXTURE SUBMITTED/APPROVED**



DOWNLIGHTING

