

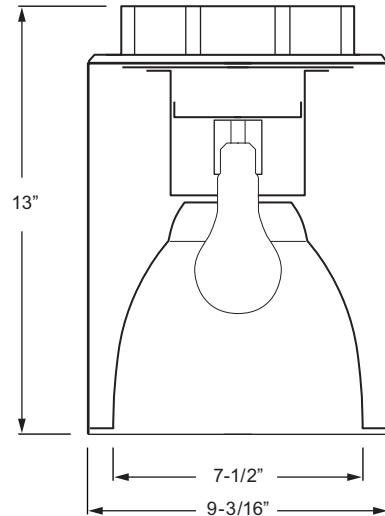
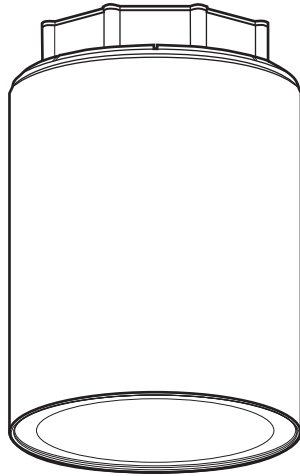
INCANDESCENT

JOB _____

TYPE _____

VOLTAGE _____

9" ROUND SURFACE MOUNT CYLINDER A LAMP



CATALOG NUMBER

SERIES	WATTAGE	LAMP BASE	VOLTAGE
AC90	75	A21IF/MED	
AC90	100	A21IF/MED	
AC90	150	A21IF/MED	
AC90	200	A21IF/MED	

- Standard self-flanged aluminum reflector with semi-specular/low-iridescent (CS) finish.
- Standard cylinder colors are bronze, black or white (must specify when ordering).
- Heavy-gauge aluminum cylinder.
- Pendant mount (indoor applications only) and wall mount available as options.
- Prewired at factory for easy field installation.
- Lamp by others.
- Custom colors available.
- UL/CUL listed for dry or damp locations. UL/CUL listed as wet location under covered ceiling when used in conjunction with C73/___ or CGS/___ option.
- This fixture is proudly made in the USA.

OPTIONS & ADDERS

SUFFIX

White housing	WHT
Black housing	BLK
Bronze housing	BRZ
Clear semi-specular reflector	CS
Clear specular reflector	SPC
Straw reflector	STR
Champagne gold reflector	CG
Gold reflector	GD
Wheat reflector	WT
Pewter reflector	PW
Satin glow reflector	SG
Matte white trim	MWT
Micro-baffle	MB
Luminous disk	LD
Luminous disk open	LDO
Luminous ring	LR
C73 clear prismatic glass lens w/accent cone	C73/AC
C73 clear prismatic glass lens w/micro-baffle	C73/MB
Clear glass lens w/accent cone	CGS/AC
Clear glass lens w/micro-baffle	CGS/MB
Fresnel glass lens w/accent cone	FF/AC
Fresnel glass lens w/micro-baffle	FF/MB
Fuse	F
Wall mount	WM
Pendant mount (Swivel canopy w/24" stem, indoor applications only)	PM
Outdoor wet location listed (Wall mount only)	OW



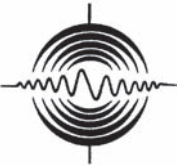
FIXTURE SUBMITTED/APPROVED

PHOTOMETRIC DATA

AC90-200-A21IF/MED

BUILDING ACOUSTICS & LIGHTING LABORATORIES, INC.

1618 HEADLAND DR.
FENTON, MO 63026
(314) 343-6006
(314) 343-6051 FAX



Report No: **10718.0**

Date: **6/20/00**

Description: **1/200W A21IF Incandescent 7.5" dia Recessed Downlight Luminaire
Low Iridescent Specular Reflector w/Open Bottom**

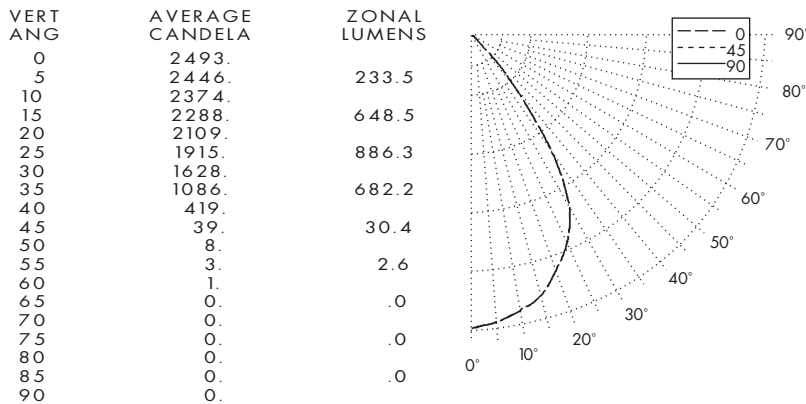
Catalog No: **AC90-200-A21IF/MED**

Lamp Type: **200A21IF**

Rated Lumens: **3930.**

No. Lamps: **1**

CANDLEPOWER DISTRIBUTION



ZONAL CAVITY COEFFICIENTS OF UTILIZATION

EFFECTIVE FLOOR CAVITY REFLECTANCE = .20

CEILING WALL RCR	80				70				50			30		
	70	50	30	10	70	50	30	10	50	30	10	50	30	10
0	.75	.75	.75	.75	.73	.73	.73	.73	.70	.70	.70	.67	.67	.67
1	.72	.71	.69	.68	.71	.69	.68	.67	.67	.66	.65	.64	.63	.63
2	.69	.66	.64	.62	.67	.65	.63	.61	.63	.61	.60	.61	.60	.58
3	.66	.62	.59	.57	.64	.61	.58	.56	.59	.57	.55	.58	.56	.54
4	.62	.58	.55	.52	.61	.57	.54	.52	.56	.53	.51	.55	.52	.51
5	.59	.54	.51	.48	.58	.54	.50	.48	.53	.50	.48	.52	.49	.47
6	.57	.51	.48	.45	.56	.51	.48	.45	.50	.47	.45	.49	.46	.44
7	.54	.48	.45	.42	.53	.48	.45	.42	.47	.44	.42	.46	.44	.42
8	.51	.45	.42	.39	.50	.45	.41	.39	.44	.41	.39	.44	.41	.39
9	.48	.42	.38	.36	.47	.42	.38	.36	.41	.38	.36	.41	.38	.36
10	.45	.39	.36	.33	.45	.39	.36	.33	.38	.35	.33	.38	.35	.33

FIXTURE QUANTITY QUICK ESTIMATOR TABLES

REFLECTANCE: Ceiling = 80%
Walls = 50%
Floor = 20%

LIGHT LOSS FACTOR: 1.0

Room Size - 10' Ceiling	±50 ftc	±75 ftc	±100 ftc
Small - 400 Sq Ft	9	16	16
Medium - 900 Sq Ft	16	30	36
Large - 1600 Sq Ft	30	49	64

LUMEN SUMMARY

ZONE	LUMENS	%LAMP	%FIXT	ZONE	LUMENS	%LAMP	%FIXT	
0-30	1768.	45.0	71.2	90-120	0.	.0	.0	
0-40	2451.	62.4	98.7	90-130	0.	.0	.0	
0-60	2484.	63.2	100.0	90-150	0.	.0	.0	
0-90	2484.	63.2	100.0	90-180	0.	.0	.0	
TOTAL LUMINAIRE =					0-180	2484.	63.2	100.0

IES SPACING CRITERIA: ADJACENT = 1.0 DIAGONAL = .7

LUMINANCES FOOT LAMBERTS

VERT ANG	HORIZ ANG
45	1933.
55	175.
65	0.
75	0.
85	0.

MAXIMUM BRIGHTNESS NOT MEASURED

COLOR CONVERSION FACTORS

Straw = x .97
Champagne = x .96
Micro-baffle = x .60
Gold = x .93
Wheat = x .88
Pewter = x .86



H.E. WILLIAMS, INC.

LIGHT CONE QUICK CALCULATOR TABLES

MNT HGT-FT	FC at Edge of Cone	FC at Nadir	Adjacent	Cone Dia. Diagonal
8	19.5	39.0	8.0	5.6
10	12.5	24.9	10.0	7.0
12	8.7	17.3	12.0	8.4
14	6.4	12.7	14.0	9.8
16	4.9	9.7	16.0	11.2
18	3.8	7.7	18.0	12.6
20	3.1	6.2	20.0	14.0