

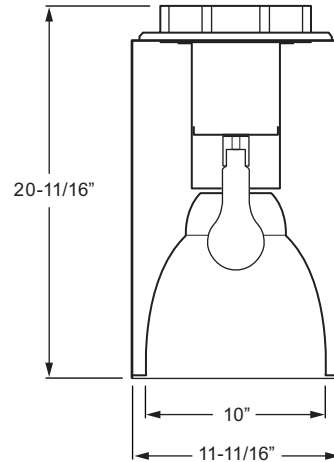
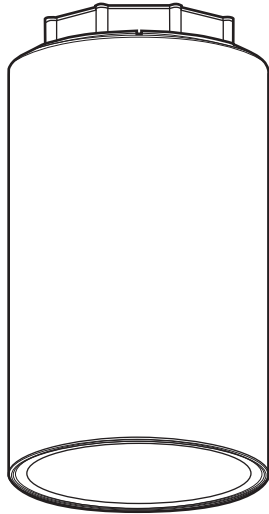
# INCANDESCENT

JOB \_\_\_\_\_

TYPE \_\_\_\_\_

VOLTAGE \_\_\_\_\_

## 11" ROUND SURFACE MOUNT CYLINDER A LAMP



### CATALOG NUMBER

SERIES	WATTAGE	LAMP BASE	VOLTAGE
AC11	150	PS251F/MED	
AC11	200	PS251F/MED	
AC11	300	PS251F/MED	

- Standard self-flanged aluminum reflector with semi-specular/low-iridescent (CS) finish.
- Standard cylinder colors are bronze, black or white (must specify when ordering).
- Heavy-gauge aluminum cylinder.
- Pendant mount (indoor applications only) and wall mount available as options.
- Prewired at factory for easy field installation.
- Lamp by others.
- Custom colors available.
- UL/CUL listed for dry or damp locations. UL/CUL listed as wet location under covered ceiling when used in conjunction with C73/\_\_\_ or CGS/\_\_\_ option.
- This fixture is proudly made in the USA.

### OPTIONS & ADDERS

### SUFFIX

White housing	WHT
Black housing	BLK
Bronze housing	BRZ
Clear semi-specular reflector	CS
Clear specular reflector	SPC
Straw reflector	STR
Champagne gold reflector	CG
Gold reflector	GD
Wheat reflector	WT
Pewter reflector	PW
Satin glow reflector	SG
Matte white trim	MWT
Micro-baffle	MB
Luminous disk	LD
Luminous disk open	LDO
Luminous ring	LR
C73 clear prismatic glass lens w/accent cone	C73/AC
C73 clear prismatic glass lens w/micro-baffle	C73/MB
Clear glass lens w/accent cone	CGS/AC
Clear glass lens w/micro-baffle	CGS/MB
Fresnel glass lens w/accent cone	FF/AC
Fresnel glass lens w/micro-baffle	FF/MB
Fuse	F
Wall mount	WM
Pendant mount (Swivel canopy w/24" stem, indoor applications only)	PM



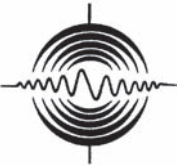
**FIXTURE SUBMITTED/APPROVED**

# PHOTOMETRIC DATA

## AC11-300-PS25IF/MED

**BUILDING ACOUSTICS & LIGHTING LABORATORIES, INC.**

1618 HEADLAND DR.  
FENTON, MO 63026  
(314) 343-6006  
(314) 343-6051 FAX



Report No: **8945.3**

Date: **8/26/96**

Description: **1/300W IF Incandescent Lamp 10" dia Recessed Luminaire  
Low Iridescent Specular Reflector w/Open Bottom**

Generated from #8945.2

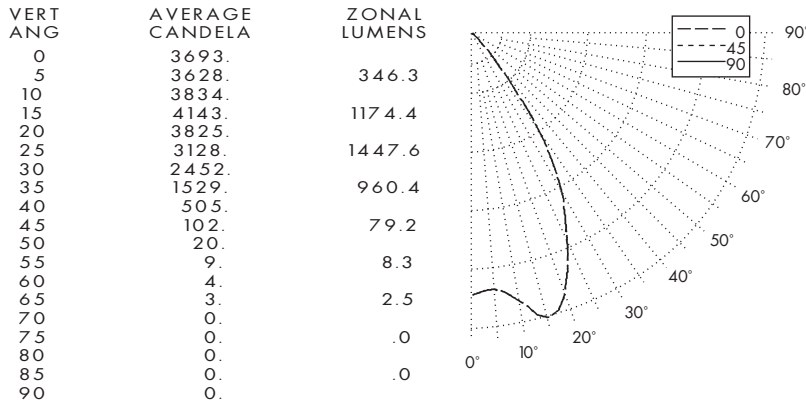
Catalog No: **AC11-300-PS25IF/MED**

Lamp Type: **300PS25**

Rated Lumens: **6300.**

No. Lamps: **1**

### CANDLEPOWER DISTRIBUTION



### ZONAL CAVITY COEFFICIENTS OF UTILIZATION

EFFECTIVE FLOOR CAVITY REFLECTANCE = .20

CEILING	80				70				50			30		
	WALL	RCR												
0	76	76	76	76	74	74	74	74	71	71	71	68	68	68
1	73	71	70	68	71	70	69	67	67	66	65	65	64	63
2	69	67	64	62	68	66	63	61	63	62	60	62	60	59
3	66	63	60	57	65	62	59	57	60	58	56	59	57	55
4	63	59	55	53	62	58	55	52	57	54	52	55	53	51
5	60	55	51	49	59	54	51	49	53	50	48	52	50	48
6	57	52	48	46	56	52	48	46	51	48	45	50	47	45
7	55	49	45	43	54	49	45	43	48	45	43	47	44	42
8	52	46	42	40	51	46	42	40	45	42	40	44	41	39
9	49	43	39	37	48	43	39	37	42	39	37	41	38	36
10	46	40	36	34	45	40	36	34	39	36	34	39	36	34

### FIXTURE QUANTITY QUICK ESTIMATOR TABLES

REFLECTANCE: Ceiling = 80%  
Walls = 50%  
Floor = 20%

LIGHT LOSS FACTOR: 1.0

Room Size - 10' Ceiling	±50 ftc	±75 ftc	±100 ftc
Small - 400 Sq Ft	6	9	12
Medium - 900 Sq Ft	12	20	25
Large - 1600 Sq Ft	20	36	42

### LUMEN SUMMARY

ZONE	LUMENS	%LAMP	%FIXT	ZONE	LUMENS	%LAMP	%FIXT
0-30	2968.	47.1	73.9	90-120	0.	0	0
0-40	3929.	62.4	97.8	90-130	0.	0	0
0-60	4016.	63.7	99.9	90-150	0.	0	0
0-90	4019.	63.8	100.0	90-180	0.	0	0
TOTAL LUMINAIRE =				0-180	4019.	63.8	100.0

IES SPACING CRITERIA: ADJACENT = 1.1      DIAGONAL = .8

### LUMINANCES FOOT LAMBERTS

VERT ANG	HORIZ ANG
45	833.
55	93.
65	34.
75	0.
85	0.

MAXIMUM BRIGHTNESS NOT MEASURED

### COLOR CONVERSION FACTORS

Straw = x .97  
Champagne = x .96  
Micro-baffle = x .60  
Gold = x .93  
Wheat = x .88  
Pewter = x .86



H.E. WILLIAMS, INC.

### LIGHT CONE QUICK CALCULATOR TABLES

MNT HGT-FT	FC at Edge of Cone	FC at Nadir	Adjacent	Cone Dia. Diagonal
8	28.9	57.7	8.8	6.4
10	18.5	36.9	11.0	8.0
12	12.8	25.6	13.2	9.6
14	9.4	18.8	15.4	11.2
16	7.2	14.4	17.6	12.8
18	5.7	11.4	19.8	14.4
20	4.6	9.2	22.0	16.0