

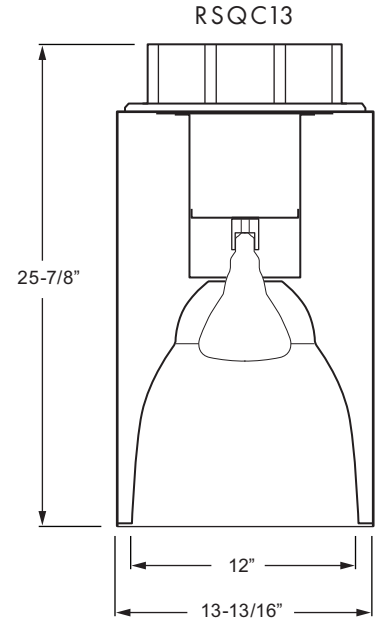
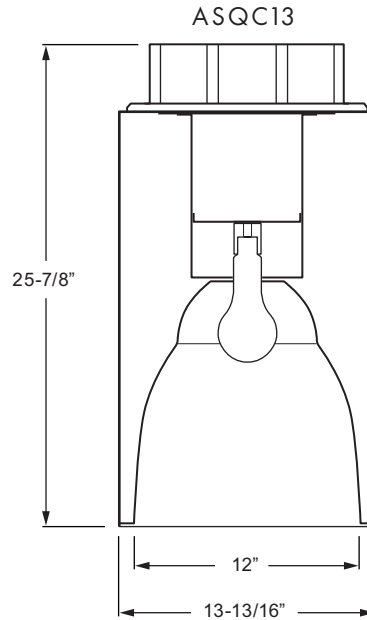
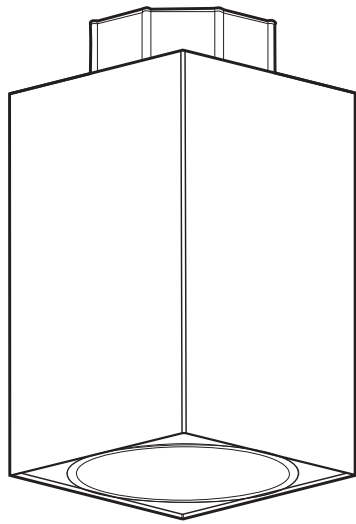
INCANDESCENT

JOB _____

TYPE _____

VOLTAGE _____

13" SQUARE SURFACE MOUNT CYLINDER A/REFLECTOR LAMP



CATALOG NUMBER

SERIES	WATTAGE	LAMP BASE	VOLTAGE
ASQC13	150	PS251F/MED	
ASQC13	200	PS251F/MED	
ASQC13	300	PS251F/MED	
RSQC13	300	R40/MED	

- Standard self-flanged aluminum reflector with semi-specular/low-iridescent (CS) finish.
- Standard cylinder colors are bronze, black or white (must specify when ordering).
- Heavy-gauge die-formed and welded aluminum housing.
- Pendant mount (indoor applications only) and wall mount available as options.
- Prewired at factory for easy field installation.
- Lamp by others.
- Custom colors available.
- UL/CUL listed for dry or damp locations.
- This fixture is proudly made in the USA.

OPTIONS & ADDERS

OPTIONS & ADDERS	SUFFIX
White housing	WHT
Black housing	BLK
Bronze housing	BRZ
Clear semi-specular reflector	CS
Clear specular reflector	SPC
Straw reflector	STR
Champagne gold reflector	CG
Gold reflector	GD
Wheat reflector	WT
Pewter reflector	PW
Satin glow reflector	SG
Matte white trim	MWT
Fuse	F
Wall mount	WM
Pendant mount (Swivel canopy w/24" stem, indoor applications only)	PM

FIXTURE SUBMITTED/APPROVED



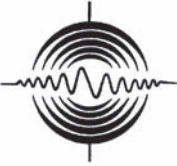
DOWNLIGHTING

PHOTOMETRIC DATA

ASQC13-300-PS25IF/MED

BUILDING ACOUSTICS & LIGHTING LABORATORIES, INC.

1618 HEADLAND DR.
FENTON, MO 63026
(314) 343-6006
(314) 343-6051 FAX



Report No: **8946.2**

Date: **8/8/96**

Description: **1/300W IF Incandescent Lamp 12" dia Recessed Luminaire
Low Iridescent Specular Reflector w/Open Bottom**

Catalog No: **ASQC13-300-PS25IF/MED**

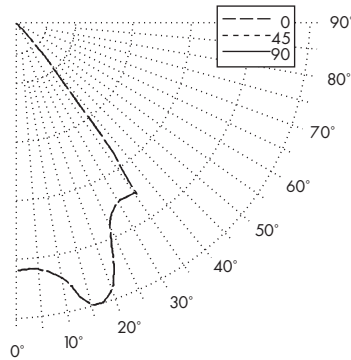
Lamp Type: **300PS25**

Rated Lumens: **6300.**

No. Lamps: **1**

CANDLEPOWER DISTRIBUTION

VERT ANG	AVERAGE CANDELA	ZONAL LUMENS
0	4274.	
5	4268.	407.4
10	4477.	
15	5034.	1427.1
20	4820.	
25	3790.	1754.2
30	3536.	
35	3595.	2258.1
40	1011.	
45	205.	158.9
50	70.	
55	6.	5.1
60	3.	
65	0.	0
70	0.	
75	0.	0
80	0.	
85	0.	0
90	0.	



ZONAL CAVITY COEFFICIENTS OF UTILIZATION

EFFECTIVE FLOOR CAVITY REFLECTANCE = .20

CEILING WALL RCR	80				70				50			30		
	70	50	30	10	70	50	30	10	50	30	10	50	30	10
0	114	114	114	114	111	111	111	111	106	106	106	101	101	101
1	109	106	104	102	106	104	102	100	100	98	97	97	95	94
2	103	99	95	92	101	97	94	91	94	91	89	91	89	87
3	98	92	87	83	96	91	86	83	88	85	82	86	83	80
4	93	86	80	76	91	85	80	76	83	78	75	81	77	74
5	88	80	74	70	86	79	74	70	77	73	69	76	72	68
6	83	75	69	65	82	74	69	65	73	68	64	71	67	64
7	79	70	64	60	78	69	64	60	68	63	60	67	63	59
8	74	65	59	55	73	64	59	55	63	58	55	62	58	54
9	70	60	54	50	68	59	54	50	59	53	50	58	53	50
10	65	55	50	46	64	55	49	46	54	49	45	53	49	45

FIXTURE QUANTITY QUICK ESTIMATOR TABLES

REFLECTANCE: Ceiling = 80%
Walls = 50%
Floor = 20%

LIGHT LOSS FACTOR: 1.0

Room Size - 10' Ceiling	+/- 50 ftc	+/- 75 ftc	+/- 100 ftc
Small - 400 Sq Ft	4	6	9
Medium - 900 Sq Ft	9	12	16
Large - 1600 Sq Ft	16	20	30

LUMEN SUMMARY

ZONE	LUMENS	%LAMP	%FIXT	ZONE	LUMENS	%LAMP	%FIXT
0-30	3589.	57.0	59.7	90-120	0.	.0	.0
0-40	5847.	92.8	97.3	90-130	0.	.0	.0
0-60	6011.	95.4	100.0	90-150	0.	.0	.0
0-90	6011.	95.4	100.0	90-180	0.	.0	.0
TOTAL LUMINAIRE =				0-180	6011.	95.4	100.0

IES SPACING CRITERIA: ADJACENT = 1.3 DIAGONAL = .9

LUMINANCES FOOT LAMBERTS

VERT ANG	HORIZ ANG
45	1161.
55	40.
65	0.
75	0.
85	0.

MAXIMUM BRIGHTNESS NOT MEASURED

COLOR CONVERSION FACTORS

Straw = x .97
Champagne = x .96
Gold = x .93
Wheat = x .88
Pewter = x .86

LIGHT CONE QUICK CALCULATOR TABLES

MNT HGT-FT	FC at Edge of Cone	FC at Nadir	Adjacent	Cone Dia. Diagonal
8	33.4	66.8	10.4	7.2
10	21.4	42.7	13.0	9.0
12	14.8	29.7	15.6	10.8
14	10.9	21.8	18.2	12.6
16	8.3	16.7	20.8	14.4
18	6.6	13.2	23.4	16.2
20	5.3	10.7	26.0	18.0



H.E. WILLIAMS, INC.