

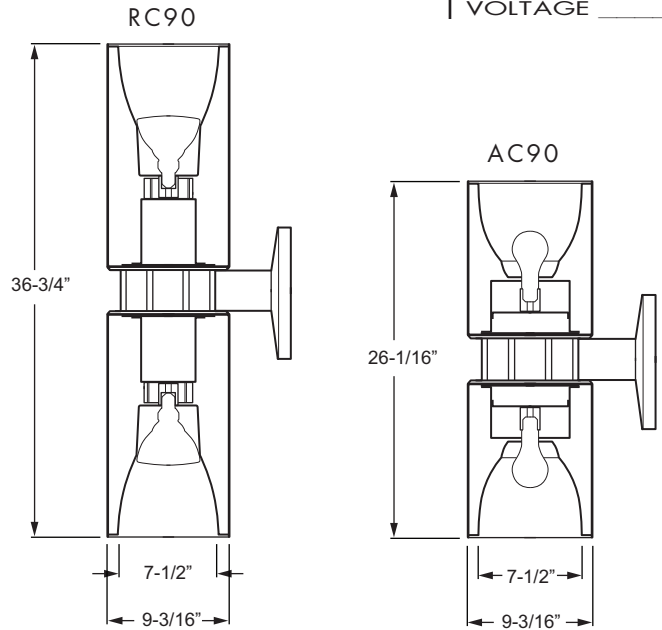
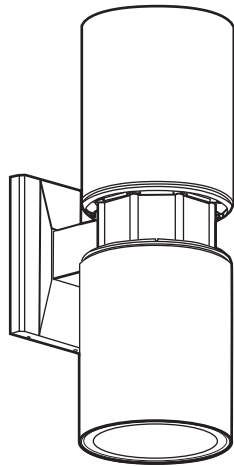
INCANDESCENT

JOB _____

TYPE _____

VOLTAGE _____

9" ROUND WALL MOUNT UP/DOWN CYLINDER A/REFLECTOR LAMP



CATALOG NUMBER

| SERIES | WATTAGE | LAMP BASE | VOLTAGE |
|--------|------------------------|------------|---------|
| AC90 | 100U/100D | A211F/MED | |
| AC90 | 150U/150D | A211F/MED | |
| AC90 | 200U/200D | A211F/MED | |
| RC90 | 120U/120D | PAR38/MED | |
| RC90 | 250U/250D ¹ | PAR38K/MED | |

¹ Not available with OW option.

- Standard self-flanged aluminum reflector with semi-specular/low-iridescent (CS) finish.
- Standard cylinder colors are bronze, black or white (must specify when ordering).
- Heavy-gauge aluminum cylinders.
- Wall mount standard.
- Prewired at factory for easy field installation.
- Lamp by others.
- Clear tempered glass upright shield standard.
- For different lamp configurations, consult factory.
- Custom colors available.
- UL/CUL listed for dry or damp locations. UL/CUL listed as wet location under covered ceiling when specified with C73/___, CGS/___, or FF/___ option (A-lamp only). UL/CUL listed as suitable for wet locations when specified with OW option (200-watt maximum).
- This fixture is proudly made in the USA.

OPTIONS & ADDERS

SUFFIX

| | |
|-----------------------------------------------------------------|--------|
| Clear semi-specular reflector | CS |
| Clear specular reflector (1) | SPC |
| Straw reflector (1) | STR |
| Champagne gold reflector (1) | CG |
| Gold reflector (1) | GD |
| Wheat reflector (1) | WT |
| Pewter reflector (1) | PW |
| Satin glow reflector (1) | SG |
| Matte white trim (1) | MWT |
| Micro-baffle (1) | MB |
| Luminous disk (1) | LD |
| Luminous disk open (1) | LDO |
| Luminous ring (1) | LR |
| C73 clear prismatic glass lens w/accent cone (1) (A-lamp only) | C73/AC |
| C73 clear prismatic glass lens w/micro-baffle (1) (A-lamp only) | C73/MB |
| Clear glass lens w/accent cone (1) (A-lamp only) | CGS/AC |
| Clear glass lens w/micro-baffle (1) (A-lamp only) | CGS/MB |
| Fresnel glass lens w/accent cone (1) (A-lamp only) | FF/AC |
| Fresnel glass lens w/micro-baffle (1) (A-lamp only) | FF/MB |
| Fuse (2) | F |
| Outdoor wet location listed (200-watt maximum) | OW |


DOWNLIGHTING

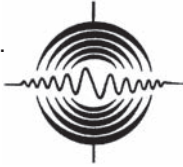
FIXTURE SUBMITTED / APPROVED

PHOTOMETRIC DATA

AC90-200/200-A21IF/MED

BUILDINGACOUSTICS & LIGHTINGLABORATORIES, INC.

1618 HEADLAND DR.
FENTON, MO 63026
(314) 343-6006
(314) 343-6051 FAX



Report No: **10718.0**

Date: **6/20/00**

Description: **1/200W A21IF Incandescent 7.5" dia Recessed Downlight Luminaire
Low Iridescent Specular Reflector w/Open Bottom**

Catalog No: **AC90-200/200-A21IF/MED**

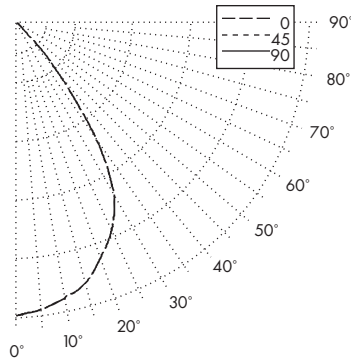
Lamp Type: **200A21IF**

Rated Lumens: **3930.**

No. Lamps: **1**

CANDLEPOWER DISTRIBUTION

| VERT ANG | AVERAGE CANDELA | ZONAL LUMENS |
|----------|-----------------|--------------|
| 0 | 2493. | |
| 5 | 2446. | 233.5 |
| 10 | 2374. | |
| 15 | 2288. | 648.5 |
| 20 | 2109. | |
| 25 | 1915. | 886.3 |
| 30 | 1628. | |
| 35 | 1086. | 682.2 |
| 40 | 419. | |
| 45 | 39. | 30.4 |
| 50 | 8. | |
| 55 | 3. | 2.6 |
| 60 | 1. | |
| 65 | 0. | 0 |
| 70 | 0. | |
| 75 | 0. | 0 |
| 80 | 0. | |
| 85 | 0. | 0 |
| 90 | 0. | |



ZONAL CAVITY COEFFICIENTS OF UTILIZATION

EFFECTIVE FLOOR CAVITY REFLECTANCE = .20

| CEILING WALL RCR | 80 | | | | 70 | | | | 50 | | | 30 | | |
|------------------|-----|-----|-----|-----|-----|-----|-----|-----|-----|-----|-----|-----|-----|-----|
| | 70 | 50 | 30 | 10 | 70 | 50 | 30 | 10 | 50 | 30 | 10 | 50 | 30 | 10 |
| 0 | .75 | .75 | .75 | .75 | .73 | .73 | .73 | .73 | .70 | .70 | .70 | .67 | .67 | .67 |
| 1 | .72 | .71 | .69 | .68 | .71 | .69 | .68 | .67 | .67 | .66 | .65 | .64 | .63 | .63 |
| 2 | .69 | .66 | .64 | .62 | .67 | .65 | .63 | .61 | .63 | .61 | .60 | .61 | .60 | .58 |
| 3 | .66 | .62 | .59 | .57 | .64 | .61 | .58 | .56 | .59 | .57 | .55 | .58 | .56 | .54 |
| 4 | .62 | .58 | .55 | .52 | .61 | .57 | .54 | .52 | .56 | .53 | .51 | .55 | .52 | .51 |
| 5 | .59 | .54 | .51 | .48 | .58 | .54 | .50 | .48 | .53 | .50 | .48 | .52 | .49 | .47 |
| 6 | .57 | .51 | .48 | .45 | .56 | .51 | .48 | .45 | .50 | .47 | .45 | .49 | .46 | .44 |
| 7 | .54 | .48 | .45 | .42 | .53 | .48 | .45 | .42 | .47 | .44 | .42 | .46 | .44 | .42 |
| 8 | .51 | .45 | .42 | .39 | .50 | .45 | .41 | .39 | .44 | .41 | .39 | .44 | .41 | .39 |
| 9 | .48 | .42 | .38 | .36 | .47 | .42 | .38 | .36 | .41 | .38 | .36 | .41 | .38 | .36 |
| 10 | .45 | .39 | .36 | .33 | .45 | .39 | .36 | .33 | .38 | .35 | .33 | .38 | .35 | .33 |

FIXTURE QUANTITY QUICK ESTIMATOR TABLES

REFLECTANCE: Ceiling = 80%
Walls = 50%
Floor = 20%

LIGHT LOSS FACTOR: 1.0

| Room Size - 10' Ceiling | ±50 ftc | ±75 ftc | ±100 ftc |
|-------------------------|---------|---------|----------|
| Small - 400 Sq Ft | 9 | 16 | 16 |
| Medium - 900 Sq Ft | 16 | 30 | 36 |
| Large - 1600 Sq Ft | 30 | 49 | 64 |

LUMEN SUMMARY

| ZONE | LUMENS | %LAMP | %FIXT | ZONE | LUMENS | %LAMP | %FIXT |
|-----------------------|--------|-------|-------|----------------|---------------|-------|-------|
| 0-30 | 1768. | 45.0 | 71.2 | 90-120 | 0. | .0 | .0 |
| 0-40 | 2451. | 62.4 | 98.7 | 90-130 | 0. | .0 | .0 |
| 0-60 | 2484. | 63.2 | 100.0 | 90-150 | 0. | .0 | .0 |
| 0-90 | 2484. | 63.2 | 100.0 | 90-180 | 0. | .0 | .0 |
| TOTAL LUMINAIRE = | | | | 0-180 | 2484. | 63.2 | 100.0 |
| IES SPACING CRITERIA: | | | | ADJACENT = 1.0 | DIAGONAL = .7 | | |

LUMINANCES FOOT LAMBERTS

| VERT ANG | HORIZ ANG |
|----------|-----------|
| 45 | 1933. |
| 55 | 175. |
| 65 | 0. |
| 75 | 0. |
| 85 | 0. |

MAXIMUM BRIGHTNESS NOT MEASURED

COLOR CONVERSION FACTORS

Straw = x .97
Champagne = x .96
Micro-baffle = x .60
Gold = x .93
Wheat = x .88
Pewter = x .86



H.E. WILLIAMS, INC.

LIGHT CONE QUICK CALCULATOR TABLES

| MNT HGT-FT | FC at Edge of Cone | FC at Nadir | Adjacent | Cone Dia. Diagonal |
|------------|--------------------|-------------|----------|--------------------|
| 8 | 19.5 | 39.0 | 8.0 | 5.6 |
| 10 | 12.5 | 24.9 | 10.0 | 7.0 |
| 12 | 8.7 | 17.3 | 12.0 | 8.4 |
| 14 | 6.4 | 12.7 | 14.0 | 9.8 |
| 16 | 4.9 | 9.7 | 16.0 | 11.2 |
| 18 | 3.8 | 7.7 | 18.0 | 12.6 |
| 20 | 3.1 | 6.2 | 20.0 | 14.0 |