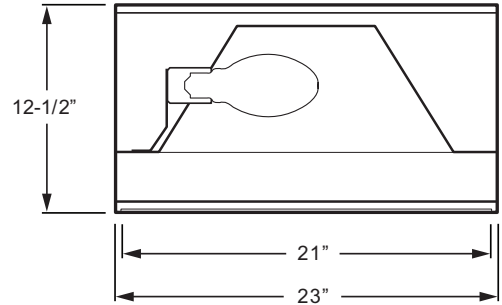
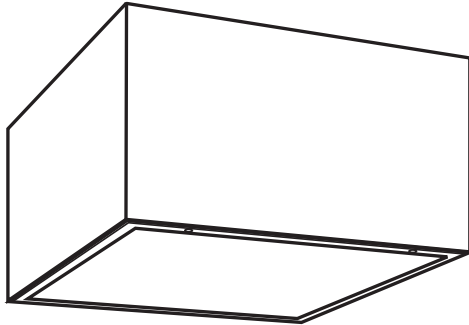


2 x 2 SURFACE SQUARE - LENS



CATALOG NUMBER

SERIES	WATTAGE	LAMP BASE	BALLAST	VOLTAGE
SMHSQ24	175	ED28/MOG	MB1	
SMHSQ24	250	ED28/MOG	MB1	
SMHSQ24	400	ED28/MOG	MB1	

- Clear prismatic tempered glass lens standard.
- Core and coil ballast: multi tap (120/277).
- Integral reflector with 92% reflective powder coated finish.
- Mogul base porcelain socket.
- Heavy-gauge steel housing with white polyester powder coat finish.
- Prewired at factory for easy field installation.
- White door frame with safety chain.
- Lamp by others.
- UL/CUL listed for dry or damp locations.
- This fixture is proudly made in the USA.

OPTIONS & ADDERS

SUFFIX

Wireguard	WG
Fuse	F
Quartz restrike	QRS
Plastic or aluminum louver (Consult factory)	CF
208, 240, 347, 480 volt	(#) VOLT

FIXTURE SUBMITTED/APPROVED



DOWNLIGHTING



H. E. WILLIAMS, INC.