

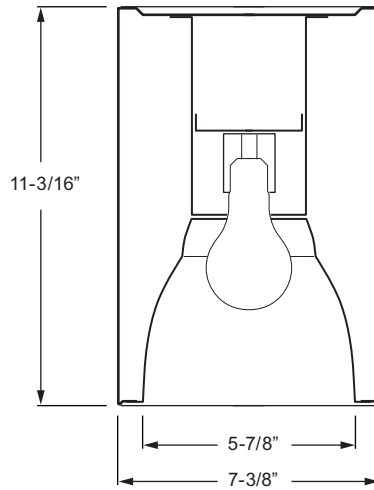
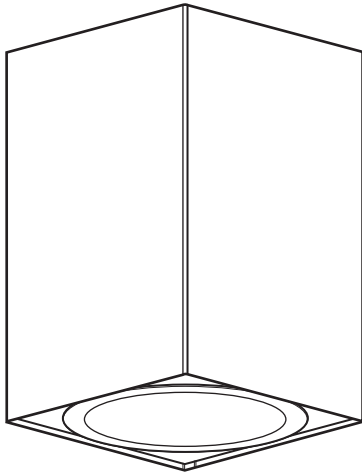
INCANDESCENT

JOB _____

TYPE _____

VOLTAGE _____

7" SQUARE SURFACE MOUNT CYLINDER A LAMP



CATALOG NUMBER

SERIES	WATTAGE	LAMP BASE	VOLTAGE
ASQC70	75	A19IF/MED	
ASQC70	100	A19IF/MED	
ASQC70	150	A21IF/MED	

- Standard self-flanged aluminum reflector with semi-specular/low-iridescent (CS) finish.
- Standard cylinder colors are bronze, black or white (must specify when ordering).
- Heavy-gauge die-formed and welded aluminum housing.
- Pendant mount (indoor applications only) and wall mount available as options.
- Prewired at factory for easy field installation.
- Lamp by others.
- Custom colors available.
- UL/CUL listed for dry or damp locations. UL/CUL listed as wet location under covered ceiling when used in conjunction with C73/___ or CGS/___ option.
- This fixture is proudly made in the USA.

OPTIONS & ADDERS

SUFFIX

White housing	WHT
Black housing	BLK
Bronze housing	BRZ
Clear semi-specular reflector	CS
Clear specular reflector	SPC
Straw reflector	STR
Champagne gold reflector	CG
Gold reflector	GD
Wheat reflector	WT
Pewter reflector	PW
Satin glow reflector	SG
Matte white trim	MWT
Micro-baffle	MB
Luminous disk	LD
Luminous disk open	LDO
Luminous ring	LR
C73 clear prismatic glass lens w/accent cone (Not to exceed 100W)	C73/AC
C73 clear prismatic glass lens w/micro-baffle (Not to exceed 100W)	C73/MB
Clear glass lens w/accent cone (Not to exceed 100W)	CGS/AC
Clear glass lens w/micro-baffle (Not to exceed 100W)	CGS/MB
Fresnel glass lens w/accent cone (Not to exceed 100W)	FF/AC
Fresnel glass lens w/micro-baffle (Not to exceed 100W)	FF/MB
Fuse	F
Wall mount	WM
Pendant mount (Swivel canopy w/24" stem, indoor applications only)	PM



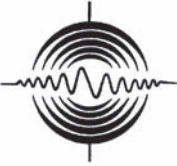
FIXTURE SUBMITTED/APPROVED

PHOTOMETRIC DATA

ASQC70-150-A21IF-MED

BUILDING ACOUSTICS & LIGHTING LABORATORIES, INC.

1618 HEADLAND DR.
FENTON, MO 63026
(314) 343-6006
(314) 343-6051 FAX



Report No: **10716.0**

Date: **6/21/00**

Description: **1/50W A21IF Incandescent 6" dia Recessed Downlight Luminaire
Low Iridescent Specular Reflector w/Open Bottom**

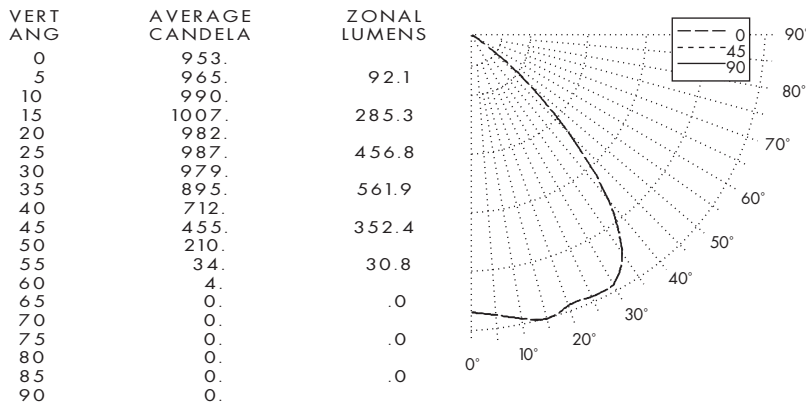
Catalog No: **ASQC70-150-A21IF-MED**

Lamp Type: **150A21IF**

Rated Lumens: **2780.**

No. Lamps: **1**

CANDLEPOWER DISTRIBUTION



ZONAL CAVITY COEFFICIENTS OF UTILIZATION

EFFECTIVE FLOOR CAVITY REFLECTANCE = .20

CEILING WALL RCR	80				70				50			30		
	70	.50	30	.10	70	50	30	.10	50	30	.10	50	30	.10
0	.76	.76	.76	.76	.74	.74	.74	.74	.71	.71	.71	.68	.68	.68
1	.72	.70	.69	.67	.71	.69	.68	.66	.67	.65	.64	.64	.63	.62
2	.69	.65	.62	.60	.67	.64	.62	.59	.62	.60	.58	.60	.58	.57
3	.65	.60	.57	.54	.63	.59	.56	.53	.57	.55	.53	.56	.54	.52
4	.61	.55	.51	.48	.59	.55	.51	.48	.53	.50	.48	.52	.49	.47
5	.57	.51	.47	.44	.56	.50	.46	.43	.49	.46	.43	.48	.45	.43
6	.53	.47	.43	.40	.52	.47	.42	.40	.45	.42	.39	.45	.41	.39
7	.50	.43	.39	.36	.49	.43	.39	.36	.42	.38	.35	.41	.38	.35
8	.46	.39	.35	.32	.45	.39	.35	.32	.38	.34	.32	.37	.34	.31
9	.43	.36	.31	.28	.42	.35	.31	.28	.34	.31	.28	.34	.30	.28
10	.40	.32	.28	.25	.39	.32	.28	.25	.31	.28	.25	.31	.27	.25

FIXTURE QUANTITY QUICK ESTIMATOR TABLES

REFLECTANCE: Ceiling = 80%
Walls = 50%
Floor = 20%

LIGHT LOSS FACTOR: 1.0

Room Size - 10' Ceiling	±50 ftc	±75 ftc	±100 ftc
Small - 400 Sq Ft	16	20	25
Medium - 900 Sq Ft	30	42	64
Large - 1600 Sq Ft	49	81	100

LUMEN SUMMARY

ZONE	LUMENS	%LAMP	%FIXT	ZONE	LUMENS	%LAMP	%FIXT
0-30	834.	30.0	46.9	90-120	0.	.0	.0
0-40	1396.	50.2	78.5	90-130	0.	.0	.0
0-60	1779.	64.0	100.0	90-150	0.	.0	.0
0-90	1779.	64.0	100.0	90-180	0.	.0	.0
TOTAL LUMINAIRE =				0-180	1779.	64.0	100.0

IES SPACING CRITERIA: ADJACENT = 1.4 DIAGONAL = 1.0

LUMINANCES FOOT LAMBERTS

VERT ANG	HORIZ ANG
45	36510.
55	3400.
65	0.
75	0.
85	0.

MAXIMUM BRIGHTNESS NOT MEASURED

COLOR CONVERSION FACTORS

Straw = x .97
Champagne = x .96
Micro-baffle = x .60
Gold = x .93
Wheat = x .88
Pewter = x .86



H.E. WILLIAMS, INC.

LIGHT CONE QUICK CALCULATOR TABLES

MNT HGT-FT	FC at Edge of Cone	FC at Nadir	Adjacent	Cone Dia. Diagonal
8	7.4	14.9	11.2	8.0
10	4.8	9.5	14.0	10.0
12	3.3	6.6	16.8	12.0
14	2.4	4.9	19.6	14.0
16	1.9	3.7	22.4	16.0
18	1.5	2.9	25.2	18.0
20	1.2	2.4	28.0	20.0