

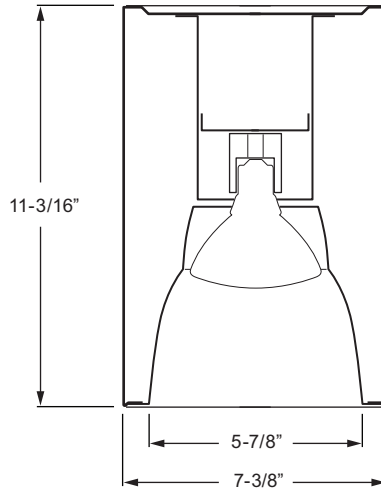
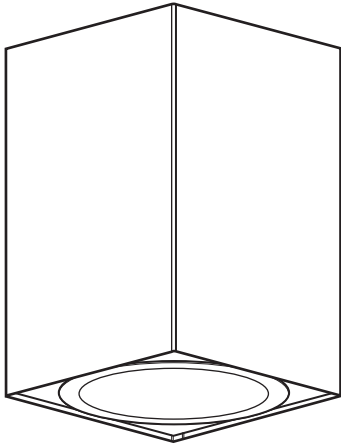
INCANDESCENT

JOB _____

TYPE _____

VOLTAGE _____

7" SQUARE SURFACE MOUNT CYLINDER REFLECTOR LAMP



CATALOG NUMBER

SERIES	WATTAGE	LAMP BASE	VOLTAGE
RSQC70	70	PAR38/MED	
RSQC70	90	PAR38/MED	
RSQC70	120	PAR38/MED	

- Standard self-flanged aluminum reflector with semi-specular/low-iridescent (CS) finish.
- Standard cylinder colors are bronze, black or white (must specify when ordering).
- Heavy-gauge die-formed and welded aluminum housing.
- Pendant mount (indoor applications only) and wall mount available as options.
- Prewired at factory for easy field installation.
- Lamp by others.
- Custom colors available.
- UL/CUL listed for dry or damp locations.
- This fixture is proudly made in the USA.

OPTIONS & ADDERS

SUFFIX

White housing	WHT
Black housing	BLK
Bronze housing	BRZ
Clear semi-specular reflector	CS
Clear specular reflector	SPC
Straw reflector	STR
Champagne gold reflector	CG
Gold reflector	GD
Wheat reflector	WT
Pewter reflector	PW
Satin glow reflector	SG
Matte white trim	MWT
Micro-baffle	MB
Fuse	F
Wall mount	WM
Pendant mount (Swivel canopy w/24" stem, indoor applications only)	PM

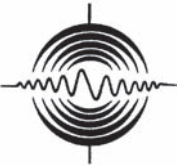
FIXTURE SUBMITTED/APPROVED



DOWNLIGHTING

BUILDING ACOUSTICS & LIGHTING LABORATORIES, INC.

1618 HEADLAND DR.
FENTON, MO 63026
(314) 343-6006
(314) 343-6051 FAX



Report No: **10717.0**

Date: **6/22/00**

Description: **1/150W Par 38 Flood 6" dia Recessed Downlight Luminaire
Low Iridescent Specular Reflector w/Open Bottom**

Catalog No: **RSQC70-150-PAR38/MED**

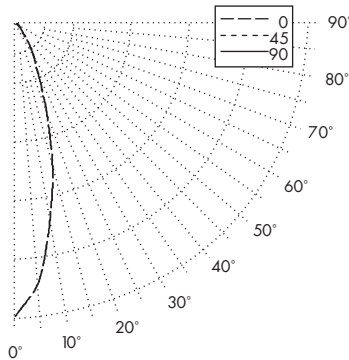
Lamp Type: **150WPAR38F**

Rated Lumens: **1700.**

No. Lamps: **1**

CANDLEPOWER DISTRIBUTION

VERT ANG	AVERAGE CANDELA	ZONAL LUMENS
0	5180.	
5	4615.	440.6
10	3485.	
15	2481.	703.4
20	1437.	
25	787.	364.3
30	469.	
35	200.	125.8
40	61.	
45	24.	18.2
50	15.	
55	10.	9.3
60	4.	
65	0.	.0
70	0.	
75	0.	.0
80	0.	
85	0.	.0
90	0.	



ZONAL CAVITY COEFFICIENTS OF UTILIZATION

EFFECTIVE FLOOR CAVITY REFLECTANCE = .20

CEILING	80				70				50			30		
	WALL	50	30	10	70	50	30	10	50	30	10	50	30	10
0	116	116	116	116	114	114	114	114	109	109	109	104	104	104
1	113	111	109	107	110	108	107	105	105	103	102	101	100	99
2	108	105	101	99	106	103	100	98	100	98	96	97	95	94
3	105	100	96	93	103	99	95	92	96	93	91	94	92	90
4	101	95	91	88	99	94	90	87	92	89	86	90	88	86
5	97	91	87	83	96	90	86	83	89	85	82	87	84	82
6	94	88	83	80	93	87	83	80	86	82	79	84	81	79
7	91	84	80	77	90	84	80	77	83	79	76	82	78	76
8	88	81	77	74	87	81	76	74	80	76	73	79	75	73
9	85	78	73	70	84	77	73	70	76	73	70	76	72	70
10	82	74	70	67	81	74	70	67	73	69	67	73	69	67

FIXTURE QUANTITY QUICK ESTIMATOR TABLES

REFLECTANCE: Ceiling = 80%
Walls = 50%
Floor = 20%

LIGHT LOSS FACTOR: 1.0

Room Size - 10' Ceiling	±50 ftc	±75 ftc	±100 ftc
Small - 400 Sq Ft	12	20	25
Medium - 900 Sq Ft	30	42	56
Large - 1600 Sq Ft	49	72	100

LUMEN SUMMARY

ZONE	LUMENS	%LAMP	%FIXT	ZONE	LUMENS	%LAMP	%FIXT
0-30	1508.	88.7	90.8	90-120	0.	.0	.0
0-40	1634.	96.1	98.3	90-130	0.	.0	.0
0-60	1662.	97.7	100.0	90-150	0.	.0	.0
0-90	1662.	97.7	100.0	90-180	0.	.0	.0
TOTAL LUMINAIRE =				0-180	1662.	97.7	100.0

IES SPACING CRITERIA: ADJACENT = .5 DIAGONAL = .3

LIGHT CONE QUICK CALCULATOR TABLES

MNT HGT-FT	FC at Edge of Cone	FC at Nadir	Adjacent	Cone Dia. Diagonal
8	40.5	80.9	4.0	2.4
10	25.9	51.8	5.0	3.0
12	18.0	36.0	6.0	3.6
14	13.2	26.4	7.0	4.2
16	10.1	20.2	8.0	4.8
18	8.0	16.0	9.0	5.4
20	6.5	13.0	10.0	6.0

LUMINANCES FOOT LAMBERTS

VERT ANG	HORIZ ANG
45	1886.
55	1026.
65	0.
75	0.
85	0.

MAXIMUM BRIGHTNESS NOT MEASURED

COLOR CONVERSION FACTORS

Straw = x .97
Champagne = x .96
Micro-baffle = x .60
Gold = x .93
Wheat = x .88
Pewter = x .86



H.E. WILLIAMS, INC.