

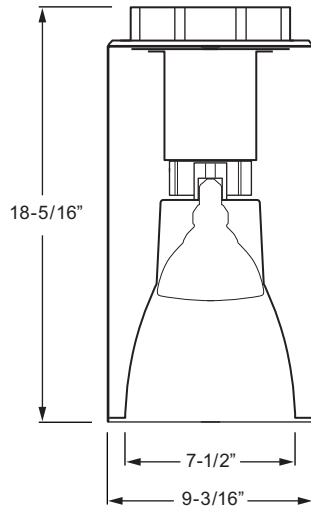
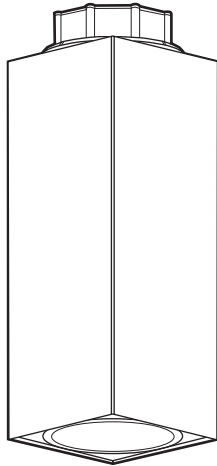
INCANDESCENT

JOB _____

TYPE _____

VOLTAGE _____

9" SQUARE SURFACE MOUNT CYLINDER REFLECTOR LAMP



CATALOG NUMBER

SERIES	WATTAGE	LAMP BASE	VOLTAGE
RSQC90	90	PAR38/MED	
RSQC90	120	PAR38/MED	
RSQC90	250	PAR38K/MED	

- Standard self-flanged aluminum reflector with semi-specular/low-iridescent (CS) finish.
- Standard cylinder colors are bronze, black or white (must specify when ordering).
- Heavy-gauge die-formed and welded aluminum housing.
- Pendant mount (indoor applications only) and wall mount available as options.
- Prewired at factory for easy field installation.
- Lamp by others.
- Custom colors available.
- UL/CUL listed for dry or damp locations.
- This fixture is proudly made in the USA.

OPTIONS & ADDERS

SUFFIX

White housing	WHT
Black housing	BLK
Bronze housing	BRZ
Clear semi-specular reflector	CS
Clear specular reflector	SPC
Straw reflector	STR
Champagne gold reflector	CG
Gold reflector	GD
Wheat reflector	WT
Pewter reflector	PW
Satin glow reflector	SG
Matte white trim	MWT
Micro-baffle	MB
Fuse	F
Wall mount	WM
Pendant mount (Swivel canopy w/24" stem, indoor applications only)	PM

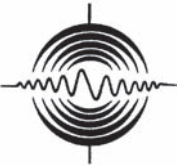
FIXTURE SUBMITTED/APPROVED



DOWNLIGHTING

BUILDING ACOUSTICS & LIGHTING LABORATORIES, INC.

1618 HEADLAND DR.
FENTON, MO 63026
(314) 343-6006
(314) 343-6051 FAX



Report No: **8193.0**

Date: **2/8/95**

Description: **250W Par 38 Flood Lamp 7.5" dia Recessed Luminaire
Semi-Specular Reflector w/Open Bottom**

Catalog No: **RSQC90-250-PAR38Q**

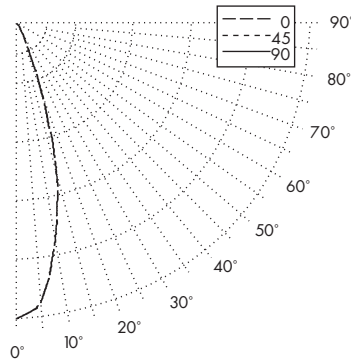
Lamp Type: **Q250PAR/FL20**

Rated Lumens: **3370.**

No. Lamps: **1**

CANDLEPOWER DISTRIBUTION

VERT ANG	AVERAGE CANDELA	ZONAL LUMENS
0	11001.	
5	10435.	996.1
10	8197.	
15	5708.	1617.9
20	2614.	
25	720.	333.0
30	192.	
35	72.	45.1
40	39.	
45	15.	11.4
50	5.	
55	2.	1.3
60	0.	
65	0.	0
70	0.	
75	0.	0
80	0.	
85	0.	0
90	0.	



ZONAL CAVITY COEFFICIENTS OF UTILIZATION

EFFECTIVE FLOOR CAVITY REFLECTANCE = .20

CEILING WALL RCR	80				70				50			30		
	70	50	30	10	70	50	30	10	50	30	10	50	30	10
0	106	106	106	106	104	104	104	104	.99	.99	.99	.95	.95	.95
1	103	102	100	99	101	100	98	97	.96	.95	.94	.93	.92	.91
2	100	96	94	92	.98	.95	.93	.91	.92	.90	.89	.90	.88	.87
3	97	93	90	87	.95	.92	.89	.87	.90	.87	.85	.88	.86	.84
4	.94	.89	.86	.83	.92	.88	.85	.83	.87	.84	.82	.85	.83	.81
5	.91	.86	.82	.80	.90	.85	.82	.79	.84	.81	.79	.82	.80	.78
6	.89	.84	.80	.78	.88	.83	.80	.77	.82	.79	.77	.81	.78	.76
7	.87	.81	.78	.75	.86	.81	.77	.75	.80	.77	.75	.79	.76	.74
8	.84	.79	.75	.73	.83	.78	.75	.73	.77	.74	.72	.77	.74	.72
9	.82	.76	.73	.70	.81	.76	.73	.70	.75	.72	.70	.74	.72	.70
10	.79	.73	.70	.68	.79	.73	.70	.68	.73	.70	.67	.72	.69	.67

FIXTURE QUANTITY QUICK ESTIMATOR TABLES

REFLECTANCE: Ceiling = 80%
Walls = 50%
Floor = 20%

LIGHT LOSS FACTOR: 1.0

Room Size - 10' Ceiling	±50 ftc	±75 ftc	±100 ftc
Small - 400 Sq Ft	6	9	16
Medium - 900 Sq Ft	16	20	30
Large - 1600 Sq Ft	25	36	49

LUMEN SUMMARY

ZONE	LUMENS	%LAMP	%FIXT	ZONE	LUMENS	%LAMP	%FIXT	
0-30	2947.	87.4	98.1	90-120	0.	.0	.0	
0-40	2992.	88.8	99.6	90-130	0.	.0	.0	
0-60	3005.	89.2	100.0	90-150	0.	.0	.0	
0-90	3005.	89.2	100.0	90-180	0.	.0	.0	
TOTAL LUMINAIRE =					0-180	3005.	89.2	100.0

IES SPACING CRITERIA: ADJACENT = .5 DIAGONAL = .4

LUMINANCES FOOT LAMBERTS

VERT ANG	HORIZ ANG
45	214.
55	27.
65	0.
75	0.
85	0.

MAXIMUM BRIGHTNESS NOT MEASURED

COLOR CONVERSION FACTORS

Straw = x .97
Champagne = x .96
Micro-baffle = x .60
Gold = x .93
Wheat = x .88
Pewter = x .86



H.E. WILLIAMS, INC.

LIGHT CONE QUICK CALCULATOR TABLES

MNT HGT-FT	FC at Edge of Cone	FC at Nadir	Adjacent	Cone Dia. Diagonal
8	85.9	171.9	4.0	3.2
10	55.0	110.0	5.0	4.0
12	38.2	76.4	6.0	4.8
14	28.1	56.1	7.0	5.6
16	21.5	43.0	8.0	6.4
18	17.0	34.0	9.0	7.2
20	13.8	27.5	10.0	8.0