

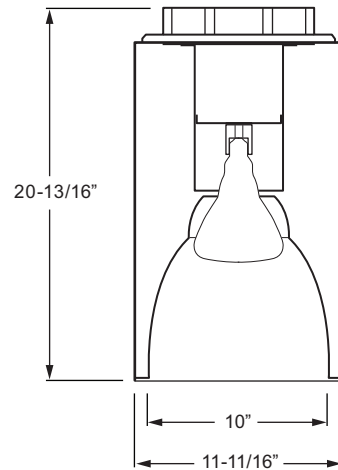
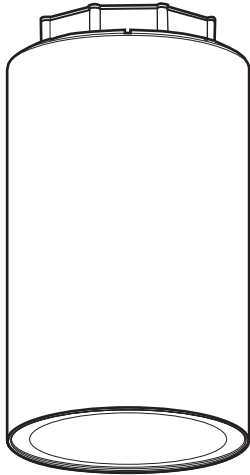
# INCANDESCENT

JOB \_\_\_\_\_

TYPE \_\_\_\_\_

VOLTAGE \_\_\_\_\_

## 11" ROUND SURFACE MOUNT CYLINDER REFLECTOR LAMP



### CATALOG NUMBER

SERIES	WATTAGE	LAMP BASE	VOLTAGE
RC11	300	R40/MED	

- Standard self-flanged aluminum reflector with semi-specular/low-iridescent (CS) finish.
- Standard cylinder colors are bronze, black or white (must specify when ordering).
- Heavy-gauge aluminum cylinder.
- Pendant mount (indoor applications only) and wall mount available as options.
- Prewired at factory for easy field installation.
- Lamp by others.
- Custom colors available.
- UL/CUL listed for dry or damp locations.
- This fixture is proudly made in the USA.

### OPTIONS & ADDERS

### SUFFIX

White housing	WHT
Black housing	BLK
Bronze housing	BRZ
Clear semi-specular reflector	CS
Clear specular reflector	SPC
Straw reflector	STR
Champagne gold reflector	CG
Gold reflector	GD
Wheat reflector	WT
Pewter reflector	PW
Satin glow reflector	SG
Matte white trim	MWT
Micro-baffle	MB
Fuse	F
Wall mount	WM
Pendant mount (Swivel canopy w/24" stem, indoor applications only)	PM

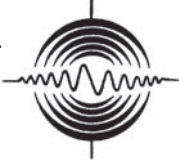
**FIXTURE SUBMITTED/APPROVED**



DOWNLIGHTING

**BUILDING ACOUSTICS & LIGHTING LABORATORIES, INC.**

1618 HEADLAND DR.  
FENTON, MO 63026  
(314) 343-6006  
(314) 343-6051 FAX



Report No: **12563.0**

Date: **02/10/05**

Description: **1/300W BR40 Incandescent Lamp 10" dia Recessed Luminaire  
Semi-Specular Low Iridescent Reflector w/Open Bottom**

Catalog No: **RC11-300-R40**

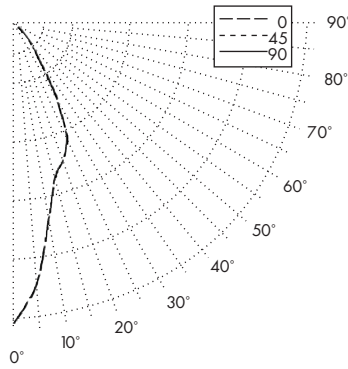
Lamp Type: **300BR40/FL**

Rated Lumens: **2310.**

No. Lamps: **1**

**CANDLEPOWER DISTRIBUTION**

VERT ANG	AVERAGE CANDELA	ZONAL LUMENS
0	4234.	
5	3679.	351.2
10	2739.	
15	2160.	612.2
20	1967.	
25	1658.	767.5
30	1045.	
35	465.	291.9
40	203.	
45	67.	51.8
50	11.	
55	7.	6.2
60	5.	
65	4.	3.5
70	2.	
75	1.	1.3
80	1.	
85	0.	.0
90	0.	



**ZONAL CAVITY COEFFICIENTS OF UTILIZATION**

EFFECTIVE FLOOR CAVITY REFLECTANCE = .20

CEILING	.80				.70				.50			.30			
	WALL RCR	.70	.50	.30	.10	.70	.50	.30	.10	.50	.30	.10	.50	.30	.10
0		107	107	107	107	105	105	105	105	100	100	100	.96	.96	.96
1		106	101	99	98	101	99	98	96	.96	.94	.93	.92	.91	.90
2		.99	.95	.92	.89	.97	.94	.91	.88	.91	.88	.86	.88	.86	.85
3		.95	.90	.86	.83	.93	.89	.85	.82	.87	.84	.81	.84	.82	.80
4		.91	.85	.81	.77	.89	.84	.80	.77	.82	.79	.76	.80	.78	.75
5		.87	.80	.76	.72	.86	.80	.75	.72	.78	.74	.72	.77	.73	.71
6		.84	.77	.72	.69	.82	.76	.72	.68	.75	.71	.68	.73	.70	.68
7		.80	.73	.68	.65	.79	.72	.68	.65	.71	.67	.64	.70	.67	.64
8		.77	.69	.64	.61	.76	.69	.64	.61	.68	.64	.61	.67	.63	.60
9		.73	.65	.60	.57	.72	.65	.60	.57	.64	.60	.57	.63	.59	.57
10		.69	.61	.57	.54	.68	.61	.56	.53	.60	.56	.53	.60	.56	.53

**FIXTURE QUANTITY QUICK ESTIMATOR TABLES**

REFLECTANCE: Ceiling = 80%  
Walls = 50%  
Floor = 20%

LIGHT LOSS FACTOR: 1.0

Room Size - 15' Ceiling	±25 ftc	±50 ftc	±75 ftc
Small - 400 Sq Ft	6	11	17
Medium - 900 Sq Ft	13	26	38
Large - 1600 Sq Ft	23	46	68

**LUMEN SUMMARY**

ZONE	LUMENS	%LAMP	%FIXT	ZONE	LUMENS	%LAMP	%FIXT
0-30	1731.	74.9	83.0	90-120	0.	.0	.0
0-40	2023.	87.6	97.0	90-130	0.	.0	.0
0-60	2081.	90.1	99.8	90-150	0.	.0	.0
0-90	2085.	90.3	100.0	90-180	0.	.0	.0
TOTAL LUMINAIRE = 0-180				2085.	90.3	100.0	

IES SPACING CRITERIA: ADJACENT = .5      DIAGONAL = .3

**LIGHT CONE QUICK CALCULATOR TABLES**

MNT HGT-FT	FC at Edge of Cone	FC at Nadir	Adjacent	Cone Dia. Diagonal
8	33.1	66.2	4.0	2.4
10	21.2	42.3	5.0	3.0
12	14.7	29.4	6.0	3.6
14	10.8	21.6	7.0	4.2
16	8.3	16.5	8.0	4.8
18	6.5	13.1	9.0	5.4
20	5.3	10.6	10.0	6.0

**LUMINANCES CD/SQ-M**

VERT ANG	HORIZ ANG
45	1807.
55	229.
65	158.
75	92.
85	0.

MAXIMUM BRIGHTNESS NOT MEASURED

**COLOR CONVERSION FACTORS**

Straw = x .97  
Champagne = x .96  
Micro-baffle = x .60  
Gold = x .93  
Wheat = x .88  
Pewter = x .86



H.E. WILLIAMS, INC.