

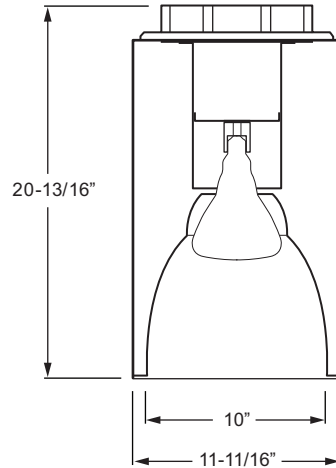
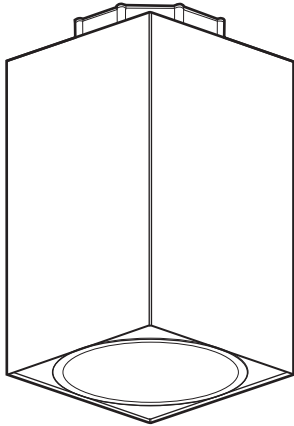
INCANDESCENT

JOB _____

TYPE _____

VOLTAGE _____

11" SQUARE SURFACE MOUNT CYLINDER REFLECTOR LAMP



CATALOG NUMBER

SERIES	WATTAGE	LAMP BASE	VOLTAGE
RSQC11	300	R40/MED	

- Standard self-flanged aluminum reflector with semi-specular/low-iridescent (CS) finish.
- Standard cylinder colors are bronze, black or white (must specify when ordering).
- Heavy-gauge die-formed and welded aluminum housing.
- Pendant mount (indoor applications only) and wall mount available as options.
- Prewired at factory for easy field installation.
- Lamp by others.
- Custom colors available.
- UL/CUL listed for dry or damp locations.
- This fixture is proudly made in the USA.

OPTIONS & ADDERS

SUFFIX

White housing	WHT
Black housing	BLK
Bronze housing	BRZ
Clear semi-specular reflector	CS
Clear specular reflector	SPC
Straw reflector	STR
Champagne gold reflector	CG
Gold reflector	GD
Wheat reflector	WT
Pewter reflector	PW
Satin glow reflector	SG
Matte white trim	MWT
Micro-baffle	MB
Fuse	F
Wall mount	WM
Pendant mount (Swivel canopy w/24" stem, indoor applications only)	PM

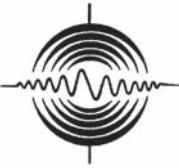
FIXTURE SUBMITTED/APPROVED



DOWNLIGHTING

BUILDING ACOUSTICS & LIGHTING LABORATORIES, INC.

1618 HEADLAND DR.
FENTON, MO 63026
(314) 343-6006
(314) 343-6051 FAX



Report No: **8982.0**

Date: **9/9/96**

Description: **1/500W R40 Mogul Incandescent Lamp 10" dia Recessed Luminaire
Low Iridescent Specular Reflector w/Open Bottom**

Catalog No: **RSQC11-500-R40**

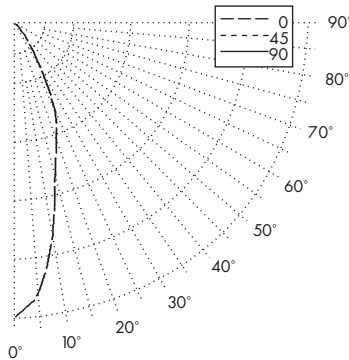
Lamp Type: **500R40/FL**

Rated Lumens: **6500.**

No. Lamps: **1**

CANDLEPOWER DISTRIBUTION

VERT ANG	AVERAGE CANDELA	ZONAL LUMENS
0	12788.	
5	11778.	1124.3
10	9351.	
15	6659.	1887.6
20	5205.	
25	3973.	1838.8
30	2133.	
35	1027.	645.3
40	448.	
45	114.	88.0
50	16.	
55	7.	5.9
60	1.	
65	0.	0
70	0.	0
75	0.	0
80	0.	0
85	0.	0
90	0.	0



ZONAL CAVITY COEFFICIENTS OF UTILIZATION

EFFECTIVE FLOOR CAVITY REFLECTANCE = .20

CEILING	.80				.70				.50			.30			
	WALL RCR	.70	.50	.30	.10	.70	.50	.30	.10	.50	.30	.10	.50	.30	.10
0		102	102	102	102	100	100	100	100	.96	.96	.96	.91	.91	.91
1		.99	.97	.95	.93	.97	.95	.93	.92	.92	.90	.89	.88	.87	.87
2		.95	.91	.88	.86	.93	.90	.87	.85	.87	.85	.83	.85	.83	.81
3		.91	.87	.83	.80	.90	.86	.82	.80	.83	.81	.79	.81	.79	.77
4		.87	.82	.78	.75	.86	.81	.78	.75	.79	.76	.74	.78	.75	.73
5		.84	.78	.74	.71	.83	.77	.73	.71	.76	.72	.70	.74	.72	.69
6		.81	.75	.71	.68	.80	.74	.70	.67	.73	.69	.67	.72	.69	.66
7		.78	.71	.67	.64	.77	.71	.67	.64	.70	.66	.64	.69	.66	.63
8		.75	.68	.64	.61	.74	.68	.64	.61	.67	.63	.60	.66	.63	.60
9		.71	.64	.60	.57	.71	.64	.60	.57	.63	.60	.57	.63	.59	.57
10		.68	.61	.57	.54	.67	.61	.57	.54	.60	.56	.54	.59	.56	.54

FIXTURE QUANTITY QUICK ESTIMATOR TABLES

REFLECTANCE: Ceiling = 80%
Walls = 50%
Floor = 20%

LIGHT LOSS FACTOR: 1.0

Room Size - 10' Ceiling	±50 ftc	±75 ftc	±100 ftc
Small - 400 Sq Ft	4	6	9
Medium - 900 Sq Ft	9	12	16
Large - 1600 Sq Ft	16	25	30

LUMEN SUMMARY

ZONE	LUMENS	%LAMP	%FIXT	ZONE	LUMENS	%LAMP	%FIXT	
0-30	4851.	74.6	86.8	90-120	0.	.0	.0	
0-40	5496.	84.6	98.3	90-130	0.	.0	.0	
0-60	5590.	86.0	100.0	90-150	0.	.0	.0	
0-90	5590.	86.0	100.0	90-180	0.	.0	.0	
TOTAL LUMINAIRE =					0-180	5590.	86.0	100.0

IES SPACING CRITERIA: ADJACENT = .5 DIAGONAL = .4

LIGHT CONE QUICK CALCULATOR TABLES

MNT HGT-FT	FC at Edge of Cone	FC at Nadir	Adjacent	Cone Dia. Diagonal
8	99.9	199.8	4.0	3.2
10	63.9	127.9	5.0	4.0
12	44.4	88.8	6.0	4.8
14	32.6	65.2	7.0	5.6
16	25.0	50.0	8.0	6.4
18	19.7	39.5	9.0	7.2
20	16.0	32.0	10.0	8.0

LUMINANCES FOOT LAMBERTS

VERT ANG	HORIZ ANG
45	926.
55	67.
65	0.
75	0.
85	0.

MAXIMUM BRIGHTNESS NOT MEASURED



H.E. WILLIAMS, INC.

COLOR CONVERSION FACTORS

Straw = x .97
Champagne = x .96
Micro-baffle = x .60
Gold = x .93
Wheat = x .88
Pewter = x .86