

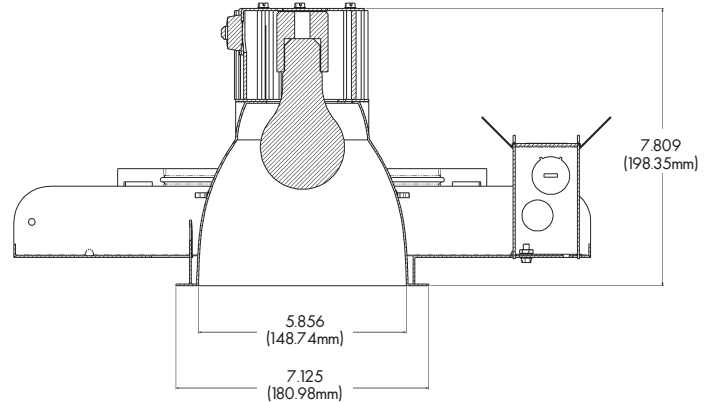
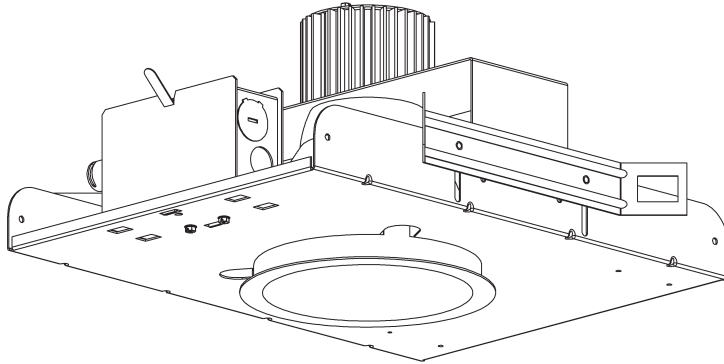
# SPECIAL INCANDESCENT

JOB \_\_\_\_\_

TYPE \_\_\_\_\_

VOLTAGE \_\_\_\_\_

## 6" ROUND RECESSED MRI DOWNLIGHT A LAMP



PAN SIZE: 12" x 16-1/4"

CEILING CUT OUT: 6-1/2"

### CATALOG NUMBER

SERIES	WATTAGE	LAMP BASE	VOLTAGE
MRI/A60	60	A19IF/MED	
MRI/A60	75	A19IF/MED	
MRI/A60	100	A19IF/MED	
MRI/A60	150	A21IF/MED	
MRI/A60	200	A21IF/MED	

- 100% non-ferrous construction.
- Self-flanged aluminum reflector with semi-specular low-iridescent (CS) finish.
- Finned, extruded aluminum heat sink socket housing.
- Porcelain socket.
- Pan/plaster mounting frame: aluminum construction.
- Adjustable hanger brackets with bar hangers standard.
- Prewired at factory for easy field installation.
- Insulation detector.
- UL/CUL listed for 120/277V AC or 12V DC operation. Suitable for dry or damp locations.
- This fixture is proudly made in the USA.

### OPTIONS & ADDERS

### SUFFIX

Straw reflector	STR
Champagne gold reflector	CG
Gold reflector	GD
Wheat reflector	WT
Pewter reflector	PW
Satin-glow reflector	SG
Fuse	F
Matte white trim	MWT
Micro-baffle	MB
12V DC Operation (For Use with 12V Med. Base Lamp, 100W Max.)	DC12V

**FIXTURE SUBMITTED/APPROVED**



DOWNLIGHTING

# PHOTOMETRIC DATA

## MRI/A60-150-A21IF-MED

1618 HEADLAND DR.  
FENTON, MO 63026  
(314) 343-6006  
(314) 343-6051 FAX



BUILDING ACOUSTICS & LIGHTING LABORATORIES, INC.

Report No: **10716.0**

Date: **6/21/00**

Description: **1/50W A21IF Incandescent 6" dia Recessed Downlight Luminaire Low-Iridescent Specular Reflector w/Open Bottom**

Catalog No: **MRI/A60-150-A21IF-MED**

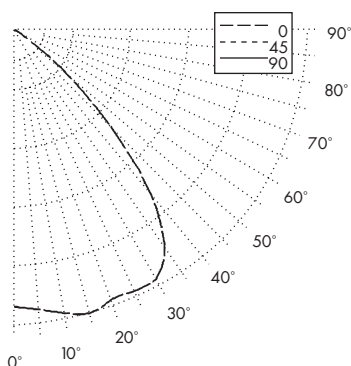
Lamp Type: **150A21IF**

Rated Lumens: **2780.**

No. Lamps: **1**

### CANDLEPOWER DISTRIBUTION

VERT ANG	AVERAGE CANDELA	ZONAL LUMENS
0	953.	
5	965.	92.1
10	990.	
15	1007.	285.3
20	982.	
25	987.	456.8
30	979.	
35	895.	561.9
40	712.	
45	455.	352.4
50	210.	
55	34.	30.8
60	4.	
65	0.	0
70	0.	
75	0.	0
80	0.	
85	0.	0
90	0.	



### ZONAL CAVITY COEFFICIENTS OF UTILIZATION

EFFECTIVE FLOOR CAVITY REFLECTANCE = .20

CEILING WALL RCR	80				70				50			30		
	70	.50	30	.10	70	.50	30	.10	.50	.30	.10	.50	.30	.10
0	.76	.76	.76	.76	.74	.74	.74	.74	.71	.71	.71	.68	.68	.68
1	.72	.70	.69	.67	.71	.69	.68	.66	.67	.65	.64	.64	.63	.62
2	.69	.65	.62	.60	.67	.64	.62	.59	.62	.60	.58	.60	.58	.57
3	.65	.60	.57	.54	.63	.59	.56	.53	.57	.55	.53	.56	.54	.52
4	.61	.55	.51	.48	.59	.55	.51	.48	.53	.50	.48	.52	.49	.47
5	.57	.51	.47	.44	.56	.50	.46	.43	.49	.46	.43	.48	.45	.43
6	.53	.47	.43	.40	.52	.47	.42	.40	.45	.42	.39	.45	.41	.39
7	.50	.43	.39	.36	.49	.43	.39	.36	.42	.38	.35	.41	.38	.35
8	.46	.39	.35	.32	.45	.39	.35	.32	.38	.34	.32	.37	.34	.31
9	.43	.36	.31	.28	.42	.35	.31	.28	.34	.31	.28	.34	.30	.28
10	.40	.32	.28	.25	.39	.32	.28	.25	.31	.28	.25	.31	.27	.25

### FIXTURE QUANTITY QUICK ESTIMATOR TABLES

REFLECTANCE: Ceiling = 80%  
Walls = 50%  
Floor = 20%

LIGHT LOSS FACTOR: 1.0

Room Size - 10' Ceiling	±50 ftc	±75 ftc	±100 ftc
Small - 400 Sq Ft	16	20	25
Medium - 900 Sq Ft	30	42	64
Large - 1600 Sq Ft	49	81	100

### LUMEN SUMMARY

ZONE	LUMENS	%LAMP	%FIXT	ZONE	LUMENS	%LAMP	%FIXT	
0-30	834.	30.0	46.9	90-120	0.	.0	.0	
0-40	1396.	50.2	78.5	90-130	0.	.0	.0	
0-60	1779.	64.0	100.0	90-150	0.	.0	.0	
0-90	1779.	64.0	100.0	90-180	0.	.0	.0	
TOTAL LUMINAIRE =					0-180	1779.	64.0	100.0

IES SPACING CRITERIA: ADJACENT = 1.4      DIAGONAL = 1.0

### LUMINANCES FOOT LAMBERTS

VERT ANG	HORIZ ANG
45	36510.
55	3400.
65	0.
75	0.
85	0.

MAXIMUM BRIGHTNESS NOT MEASURED

### COLOR CONVERSION FACTORS

Straw = x .97  
Champagne = x .96  
Micro-baffle = x .60  
Gold = x .93  
Wheat = x .88  
Pewter = x .86

### LIGHT CONE QUICK CALCULATOR TABLES

MNT HGT-FT	FC at Edge of Cone	FC at Nadir	Adjacent	Cone Dia. Diagonal
8	7.4	14.9	11.2	8.0
10	4.8	9.5	14.0	10.0
12	3.3	6.6	16.8	12.0
14	2.4	4.9	19.6	14.0
16	1.9	3.7	22.4	16.0
18	1.5	2.9	25.2	18.0
20	1.2	2.4	28.0	20.0