

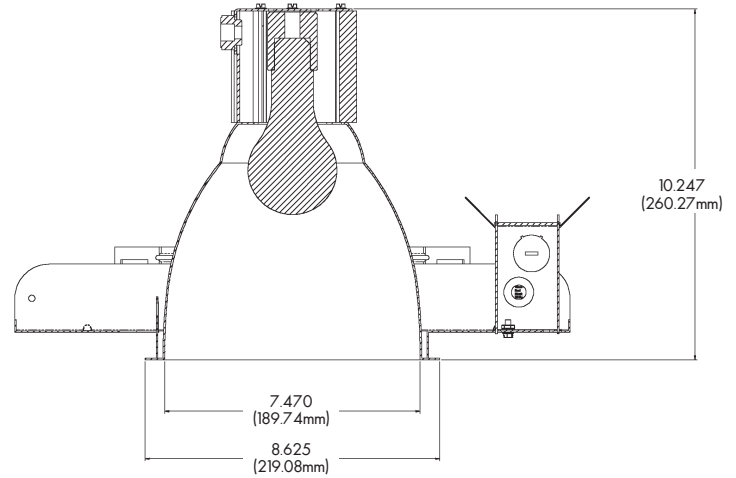
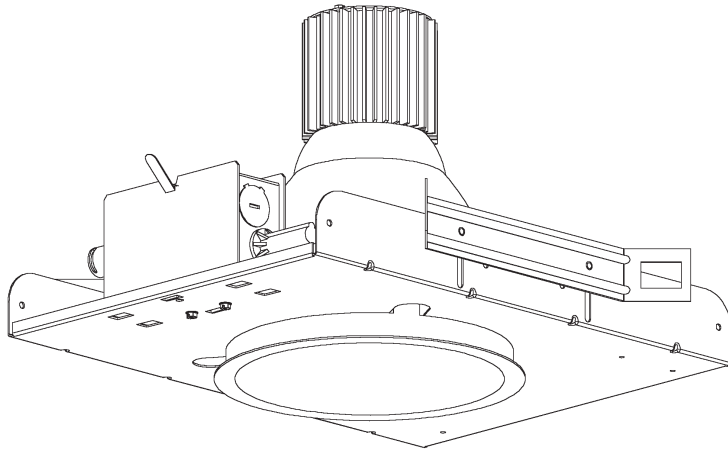
# SPECIAL INCANDESCENT

JOB \_\_\_\_\_

TYPE \_\_\_\_\_

VOLTAGE \_\_\_\_\_

## 7.5" ROUND RECESSED MRI DOWNLIGHT A LAMP



PAN SIZE: 12" x 16-1/4"

CEILING CUT OUT: 8-1/8"

### CATALOG NUMBER

SERIES	WATTAGE	LAMP BASE	VOLTAGE
MRI/A75	60	A211F/MED	
MRI/A75	75	A211F/MED	
MRI/A75	100	A211F/MED	
MRI/A75	150	A211F/MED	
MRI/A75	200	A211F/MED	

- 100% non-ferrous construction.
- Self-flanged aluminum reflector with semi-specular, low-iridescent (CS) finish.
- Finned, extruded aluminum heat sink socket housing.
- Porcelain socket.
- Pan/plaster mounting frame: aluminum construction.
- Adjustable hanger brackets with bar hangers standard.
- Prewired at factory for easy field installation.
- Insulation detector.
- UL/CUL listed for 120/277V AC or 12V DC operation. Suitable for dry or damp locations.
- This fixture is proudly made in the USA.

### OPTIONS & ADDERS

### SUFFIX

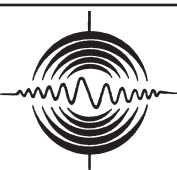
Straw reflector	STR
Champagne gold reflector	CG
Gold reflector	GD
Wheat reflector	WT
Pewter reflector	PW
Satin-glow reflector	SG
Fuse	F
Matte white trim	MWT
Micro-baffle	MB
12V DC Operation (For Use with 12V Med. Base Lamp, 100W Max.)	DC12V

**FIXTURE SUBMITTED/APPROVED**



DOWNLIGHTING

1618 HEADLAND DR.  
FENTON, MO 63026  
(314) 343-6006  
(314) 343-6051 FAX



BUILDING ACOUSTICS & LIGHTING LABORATORIES, INC.

Report No: **10718.0**

Date: **6/20/00**

Description: **1/200W A21IF Incandescent 7.5" dia Recessed Downlight Luminaire  
Low-Iridescent Specular Reflector w/Open Bottom**

Catalog No: **MRI/A75-200-A21IF/MED**

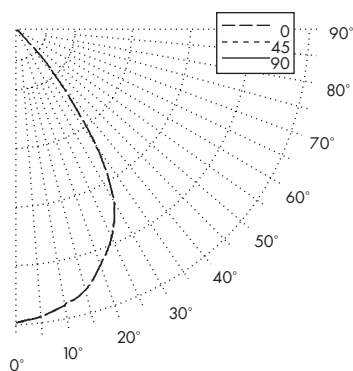
Lamp Type: **200A21IF**

Rated Lumens: **3930.**

No. Lamps: **1**

**CANDLEPOWER DISTRIBUTION**

VERT ANG	AVERAGE CANDELA	ZONAL LUMENS
0	2493.	
5	2446.	233.5
10	2374.	
15	2288.	648.5
20	2109.	
25	1915.	886.3
30	1628.	
35	1086.	682.2
40	419.	
45	39.	30.4
50	8.	
55	3.	2.6
60	1.	
65	0.	0
70	0.	
75	0.	0
80	0.	
85	0.	0
90	0.	



**ZONAL CAVITY COEFFICIENTS OF UTILIZATION**

EFFECTIVE FLOOR CAVITY REFLECTANCE = .20

CEILING	80				70				50			30			
	WALL RCR	70	.50	30	.10	70	.50	30	.10	.50	.30	.10	.50	.30	.10
0		.75	.75	.75	.75	.73	.73	.73	.73	.70	.70	.70	.67	.67	.67
1		.72	.71	.69	.68	.71	.69	.68	.67	.67	.66	.65	.64	.63	.63
2		.69	.66	.64	.62	.67	.65	.63	.61	.63	.61	.60	.61	.60	.58
3		.66	.62	.59	.57	.64	.61	.58	.56	.59	.57	.55	.58	.56	.54
4		.62	.58	.55	.52	.61	.57	.54	.52	.56	.53	.51	.55	.52	.51
5		.59	.54	.51	.48	.58	.54	.50	.48	.53	.50	.48	.52	.49	.47
6		.57	.51	.48	.45	.56	.51	.48	.45	.50	.47	.45	.49	.46	.44
7		.54	.48	.45	.42	.53	.48	.45	.42	.47	.44	.42	.46	.44	.42
8		.51	.45	.42	.39	.50	.45	.41	.39	.44	.41	.39	.44	.41	.39
9		.48	.42	.38	.36	.47	.42	.38	.36	.41	.38	.36	.41	.38	.36
10		.45	.39	.36	.33	.45	.39	.36	.33	.38	.35	.33	.38	.35	.33

**FIXTURE QUANTITY QUICK ESTIMATOR TABLES**

REFLECTANCE: Ceiling = 80%  
Walls = 50%  
Floor = 20%

LIGHT LOSS FACTOR: 1.0

Room Size - 10' Ceiling	±50 ftc	±75 ftc	±100 ftc
Small - 400 Sq Ft	9	16	16
Medium - 900 Sq Ft	16	30	36
Large - 1600 Sq Ft	30	49	64

**LUMEN SUMMARY**

ZONE	LUMENS	%LAMP	%FIXT	ZONE	LUMENS	%LAMP	%FIXT	
0-30	1768.	45.0	71.2	90-120	0.	.0	.0	
0-40	2451.	62.4	98.7	90-130	0.	.0	.0	
0-60	2484.	63.2	100.0	90-150	0.	.0	.0	
0-90	2484.	63.2	100.0	90-180	0.	.0	.0	
TOTAL LUMINAIRE =					0-180	2484.	63.2	100.0

IES SPACING CRITERIA: ADJACENT = 1.0      DIAGONAL = .7

**LUMINANCES FOOT LAMBERTS**

VERT ANG	HORIZ ANG
45	1933.
55	175.
65	0.
75	0.
85	0.

MAXIMUM BRIGHTNESS NOT MEASURED

**COLOR CONVERSION FACTORS**

- Straw = x .97
- Champagne = x .96
- Micro-baffle = x .60
- Gold = x .93
- Wheat = x .88
- Pewter = x .86

**LIGHT CONE QUICK CALCULATOR TABLES**

MNT HGT-FT	FC at Edge of Cone	FC at Nadir	Adjacent	Cone Dia. Diagonal
8	19.5	39.0	8.0	5.6
10	12.5	24.9	10.0	7.0
12	8.7	17.3	12.0	8.4
14	6.4	12.7	14.0	9.8
16	4.9	9.7	16.0	11.2
18	3.8	7.7	18.0	12.6
20	3.1	6.2	20.0	14.0