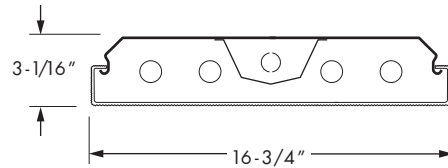
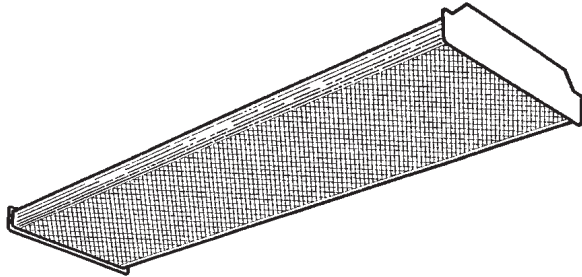


4 LAMP LOW-PROFILE WRAP AROUND

SERIES **18**

VOLTAGE TYPE JOB _____



SPECIFICATIONS

- HOUSING – 20-gauge die-formed C.R.S.
- END PLATES – 19-gauge die-formed C.R.S.
- SHIELDING – Clear acrylic prismatic diffuser with 15% DR additive. Prismatic bottom/continuous wrap sides.
- FINISH – 92% minimum average reflective white powder coat with multi-stage iron/phosphate prepared metal.
- ELECTRICAL – Electronic ballast standard, instant start T8, rated Class P.
- LABELS – UL/CUL listed as fluorescent luminaire suitable for dry or damp locations.
- MOUNTING – Surface or suspended.

FEATURES

- Shallow depth provides sleek, low-profile appearance.
- Diffuser is designed for uniform light distribution and low brightness side illumination.
- Continuous diffuser support system along luminaire sides.
- Individual or continuous row mounting.
- Wireway is accessible without the use of tools.
- Ballast secured by two captive bolts and nuts to ensure a tight, reliable fit for maximum heat dissipation and minimal ballast noise.
- All parts painted after fabrication to facilitate installation, increase efficiency, and inhibit corrosion.
- This fixture is proudly made in the USA.

ORDERING INFORMATION

Submittal

EXAMPLE: **18** - **4** - **4** **32** - **A** - **OPTIONS** - **EB4** - **120**

SERIES

18 4-lamp Low Profile Wrap Around
(16-3/4" wide)

NOMINAL LENGTH

2 2'
4 4'

TOTAL LAMPS

2 or 4

LAMP WATTAGE/TYPE

17 2', 17-watt T8
31UN 2', U-bent, 31-watt T8, 1-5/8" leg spacing
32 4', 32-watt T8

SHIELDING

A Clear acrylic prismatic diffuser

OPTIONS

BALLAST TYPE

EB2 2-lamp electronic ballast
EB4 4-lamp electronic ballast
EB2/2 (2) 2-lamp electronic ballasts

VOLTAGE

120 120V
277 277V
UNV 120 - 277V
347 347V

Note: For more options/accessories, ballast combinations, and product details, please consult factory.



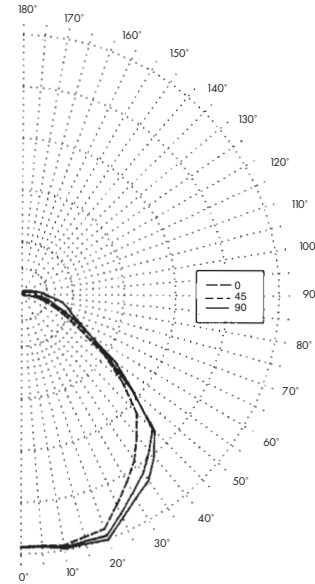
FLUORESCENT LIGHTING

Williams Catalog #18-4-432-A-EB2/2-120
Test Report #8302.0, Dated 6/02/95

Lamp Type: F32T8/735/RS
Lamp Quantity: 4

CANDLEPOWER DISTRIBUTION

VERT. ANG.	HORIZONTAL ANGLE			ZONAL LUMENS
	0	45	90	
0	3333.	3333.	3333.	
5	3323.	3333.	3330.	317.9
15	3306.	3360.	3395.	951.1
25	3048.	3177.	3240.	1463.3
35	2653.	2859.	2976.	1784.3
45	2195.	2483.	2522.	1879.1
55	1340.	1546.	1406.	1308.7
65	650.	787.	848.	768.0
75	329.	446.	633.	489.5
85	108.	254.	429.	289.3
90	0.	171.	312.	
95	0.	185.	297.	176.9
105	7.	144.	193.	131.7
115	17.	100.	131.	88.1
125	26.	82.	103.	66.3
135	29.	68.	85.	48.8
145	37.	61.	74.	37.1
155	38.	49.	52.	22.2
165	46.	55.	54.	15.0
175	38.	40.	40.	3.7
180	37.	37.	37.	



LUMEN SUMMARY

ZONE	LUMENS	% LAMP	% FIXTURE
0 - 30	2732.	24.0	27.8
0 - 40	4517.	39.6	45.9
0 - 60	7705.	67.6	78.3
0 - 90	9252.	81.2	94.0
90 - 120	397.	3.5	4.0
90 - 130	463.	4.1	4.7
90 - 150	549.	4.8	5.6
90 - 180	590.	5.2	6.0
Total Luminaire			
0 - 180	9842.	86.3	100.0

ZONAL CAVITY COEFFICIENTS

EFFECTIVE FLOOR CAVITY REFL. = .20

WALL RCR	CEILING .80			.70			.50		
	.70	.50	.30	.70	.50	.30	.50	.30	.10
0	102	102	102	.99	.99	.99	.93	.93	.93
1	94	90	86	91	87	84	83	80	78
2	86	80	74	83	78	73	74	70	66
3	79	71	65	77	69	63	66	61	57
4	73	64	57	71	62	56	59	54	49
5	67	57	49	65	55	49	53	47	43
6	62	51	44	60	50	43	48	42	37
7	57	46	39	55	45	38	43	37	33
8	52	41	34	51	40	33	39	33	28
9	48	37	30	47	36	29	35	29	24
10	45	33	27	43	33	26	31	26	22

TOTAL LUMINAIRE

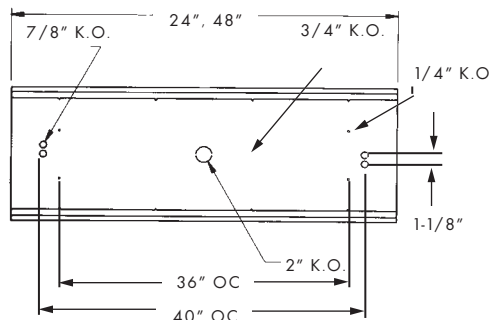
OPTICAL EFFICIENCY = **86.3 %**

SPACING CRITERIA: ACROSS = 1.4 ALONG = 1.3

BACK VIEW

NOTE

Midsection punching is only for 4 ft. units.



H. E. WILLIAMS, INC.

H.E. Williams, Inc. • Carthage, Missouri • www.hewilliams.com • 417-358-4065 • Fax: 417-358-6015

Information contained herein is subject to change without notice.

HEWJP42825 09/02/11RJ