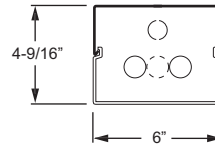
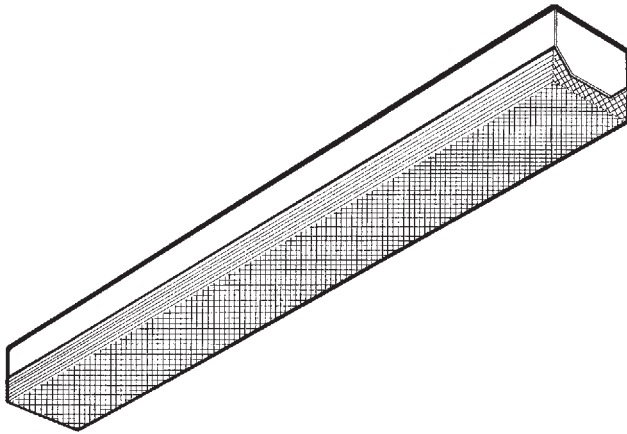


# CEILING OR WALL MOUNT **WRAP AROUND**

SERIES **20**

JOB \_\_\_\_\_  
 TYPE \_\_\_\_\_  
 VOLTAGE \_\_\_\_\_



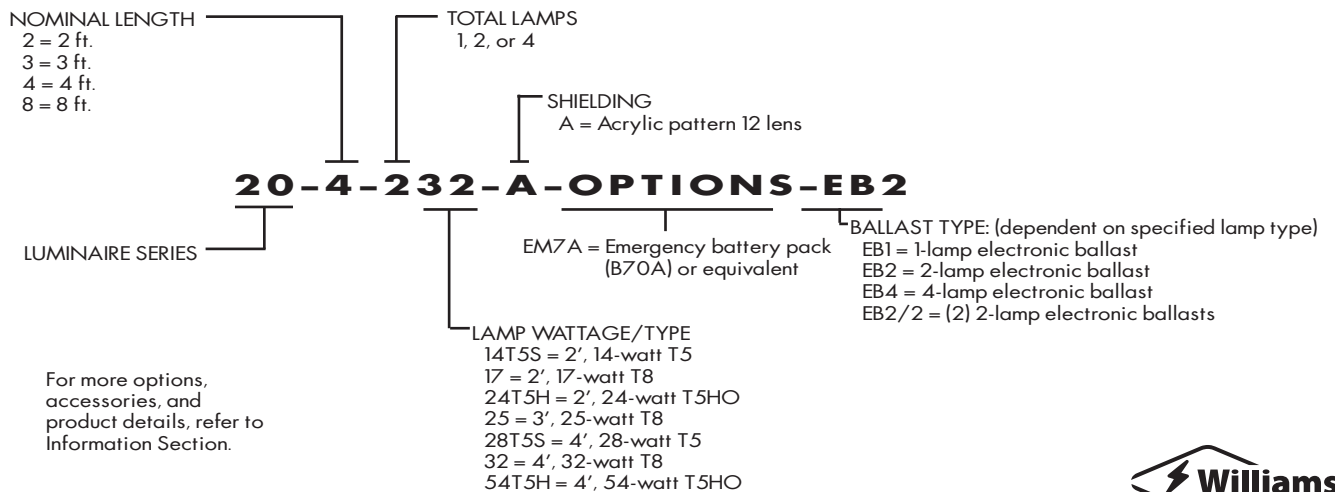
## SPECIFICATIONS

- HOUSING – 22-gauge die-formed C.R.S.
- SHIELDING – Acrylic prismatic diffuser.
- FINISH – 92% minimum average reflective white powder coat with multi-stage iron/phosphate prepared metal.
- ELECTRICAL – Electronic ballast standard, instant start T8, programmed start T5, rated Class P.
- LABELS – UL/CUL listed as fluorescent luminaire suitable for dry or damp locations.
- MOUNTING – Surface or suspended.

## FEATURES

- Diffuser provides uniform distribution and low brightness side illumination.
- Continuous diffuser support system along luminaire sides.
- Universal lamp bracket allows for field conversion from 1 to 2 lamps (or 2 to 1).
- 7/8" K.O. in ends for continuous row mounting.
- Wireway is accessible without the use of tools.
- Ballast secured by two captive bolts and nuts to ensure a tight, reliable fit for maximum heat dissipation and minimal ballast noise.
- All parts painted after fabrication to facilitate installation, increase efficiency, and inhibit corrosion.
- This fixture is proudly made in the USA.

## SUBMITTAL INFORMATION



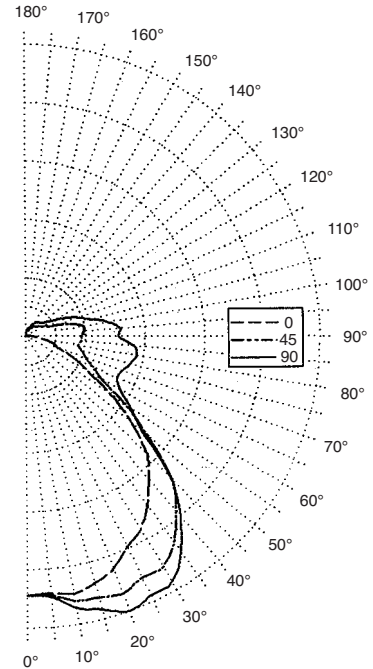
FLUORESCENT LIGHTING

Williams Catalog #20-4-232-A-EB2-120  
 Test Report #9966.0, Dated 7/23/98

Lamp Type: F32T8/SPX35/RS  
 Lamp Quantity: 2

**CANDLEPOWER DISTRIBUTION**

VERT. ANG.	HORIZONTAL ANGLE 0	HORIZONTAL ANGLE 45	HORIZONTAL ANGLE 90	ZONAL LUMENS
0	1207.	1207.	1207.	
5	1199.	1207.	1216.	115.2
15	1187.	1256.	1313.	355.0
25	1081.	1237.	1329.	565.0
35	959.	1168.	1223.	709.7
45	781.	940.	937.	700.1
55	478.	556.	586.	486.5
65	256.	341.	460.	345.7
75	130.	266.	492.	303.6
85	43.	256.	497.	290.2
90	22.	256.	424.	
95	11.	266.	435.	263.2
105	9.	226.	314.	204.3
115	0.	114.	207.	117.0
125	0.	81.	119.	64.9
135	0.	66.	90.	44.7
145	0.	57.	81.	32.1
155	0.	39.	54.	16.2
165	0.	30.	39.	6.1
175	0.	0.	0.	.0
180	0.	0.	0.	



**LUMEN SUMMARY**

ZONE	LUMENS	% LAMP	% FIXTURE
0 - 30	1035.	17.5	22.4
0 - 40	1745.	29.6	37.8
0 - 60	2932.	49.7	63.5
0 - 90	3871.	65.6	83.8
90 - 120	585.	9.9	12.7
90 - 130	649.	11.0	14.1
90 - 150	726.	12.3	15.7
90 - 180	749.	12.7	16.2
Total Luminaire			
0 - 180	4620.	78.3	100.0

**ZONAL CAVITY COEFFICIENTS**

EFFECTIVE FLOOR CAVITY REFL. = .20

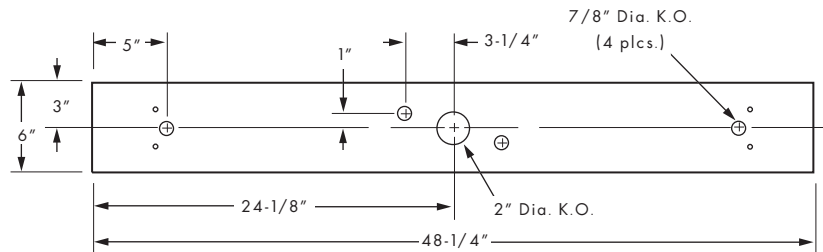
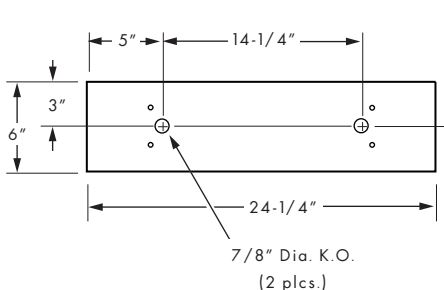
CEILING WALL RCR	.80			.70			.50		
	.70	.50	.30	.70	.50	.30	.50	.30	.10
0	90	90	90	87	87	87	80	80	80
1	82	78	74	78	75	71	69	66	64
2	74	68	63	71	65	61	61	57	53
3	68	60	54	65	58	52	54	49	45
4	63	54	47	60	52	46	48	43	39
5	58	48	41	55	46	40	43	38	34
6	53	43	36	51	42	35	39	33	29
7	49	39	32	47	37	31	35	30	26
8	45	35	28	43	34	28	32	26	22
9	42	31	25	40	30	24	28	23	19
10	39	28	22	37	27	22	26	21	17

**TOTAL LUMINAIRE**

OPTICAL EFFICIENCY = **78.3 %**

SPACING CRITERIA: ACROSS= 1.5 ALONG= 1.3

**MOUNTING**



8' fixture (96-1/2" actual length) repeats same pattern both ends.



H. E. WILLIAMS, INC.

H.E. Williams, Inc. • Carthage, Missouri • [www.hewilliams.com](http://www.hewilliams.com) • 417-358-4065 • Fax: 417-358-6015

Information contained herein is subject to change without notice.

HEWJP42826 09/02/11RJ