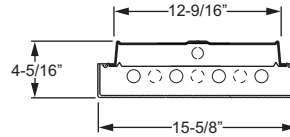
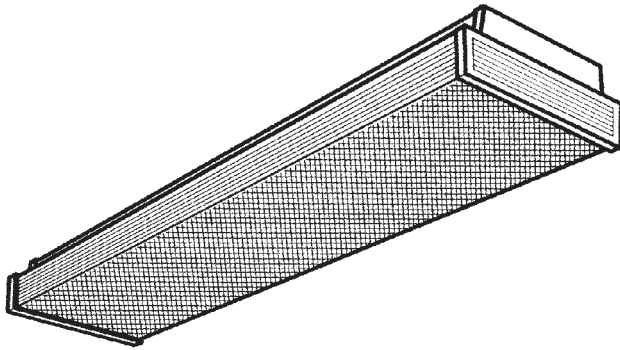


2, 3, OR 4 LAMP INJECTION-MOLDED **WRAP AROUND**

SERIES **2 2**

VOLTA GE TYPE JOB _____



SPECIFICATIONS

- HOUSING – 20-gauge die-formed C.R.S.
- SHIELDING – Injection-molded clear acrylic prismatic diffuser.
- FINISH – 92% minimum average reflective white powder coat with multi-stage iron/phosphate prepared metal.
- ELECTRICAL – Electronic ballast standard, instant start T8, rated Class P.
- LABELS – UL/CUL listed as fluorescent luminaire suitable for dry or damp locations.
- MOUNTING – Surface or suspended.

FEATURES

- Fully-enclosed spring-loaded barrel latches secure diffuser.
- Injection-molded, opaque white end caps provide decorative appearance and ensure long-term diffuser stability.
- Individual or continuous row mounting.
- Wireway is accessible without the use of tools.
- Ballast secured by two captive bolts and nuts to ensure a tight, reliable fit for maximum heat dissipation and minimal ballast noise.
- All parts painted after fabrication to facilitate installation, increase efficiency, and inhibit corrosion.
- This fixture is proudly made in the USA.

SUBMITTAL INFORMATION

NOMINAL LENGTH
 4 = 4 ft.
 8 = 8 ft.

TOTAL LAMPS
 2, 3, 4, 6, or 8

SHIELDING
 I = Injection-molded clear acrylic prismatic diffuser (#38-1648)

VOLTAGE
 120 = 120V
 277 = 277V

22-4-432-I-OPTIONS-EB4-120

LUMINAIRE SERIES

EM7A = Emergency battery pack (B70A) or equivalent

BALLAST TYPE: (dependent on specified lamp type)
 EB2 = 2-lamp electronic ballast
 EB3 = 3-lamp electronic ballast
 EB4 = 4-lamp electronic ballast
 EB2/1 = (1) 2-lamp & (1) 1-lamp electronic ballast

LAMP WATTAGE/TYPE
 32 = 4', 32-watt T8

For more options, accessories, and product details, refer to Information Section.



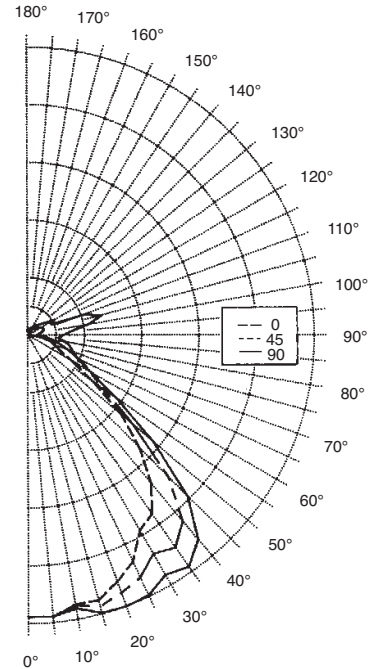
FLUORESCENT LIGHTING

Williams Catalog #22-4-332-I-EB3-120
 Test Report #7862.0, Dated 3/11/94

Lamp Type: F32T8/735/RS
 Lamp Quantity: 3

CANDLEPOWER DISTRIBUTION

VERT. ANG.	HORIZONTAL ANGLE			ZONAL LUMENS
	0	45	90	
0	2206.	2206.	2206.	
5	2193.	2200.	2195.	209.7
15	2150.	2200.	2253.	625.8
25	1958.	2098.	2249.	971.3
35	1712.	2032.	2216.	1253.7
45	1253.	1573.	1793.	1207.0
55	636.	726.	853.	700.3
65	277.	459.	435.	408.7
75	191.	261.	351.	281.4
85	55.	131.	242.	161.9
90	0.	84.	277.	
95	0.	80.	345.	143.9
105	7.	129.	609.	250.2
115	15.	127.	201.	115.1
125	20.	102.	181.	88.9
135	23.	73.	116.	53.7
145	32.	63.	93.	39.5
155	34.	45.	60.	21.4
165	40.	44.	50.	12.6
175	31.	31.	30.	2.9



LUMEN SUMMARY

ZONE	LUMENS	% LAMP	% FIXTURE
0 - 30	1807.	21.1	27.6
0 - 40	3060.	35.8	46.7
0 - 60	4968.	58.1	75.9
0 - 90	5820.	68.1	88.9
90 - 120	509.	6.0	7.8
90 - 130	598.	7.0	9.1
90 - 150	691.	8.1	10.6
90 - 180	728.	8.5	11.1
Total Luminaire			
0-180	6548.	76.6	100.0

ZONAL CAVITY COEFFICIENTS

EFFECTIVE FLOOR CAVITY REFL. = .20

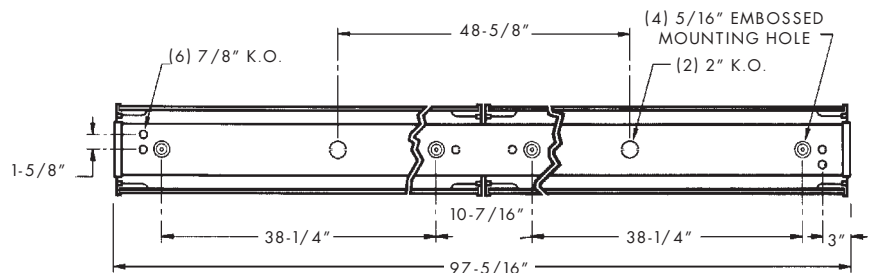
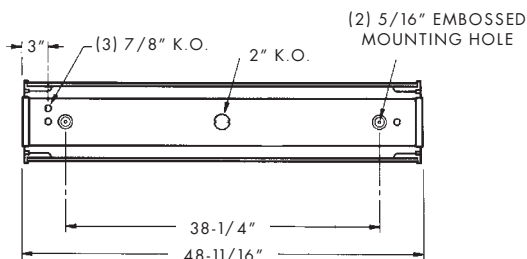
CEILING	.80			.70			.50			
	WALL RCR	.70	.50	.30	.70	.50	.30	.50	.30	.10
0		89	89	89	86	86	86	80	80	80
1		82	79	76	79	77	74	72	70	68
2		76	70	66	73	68	64	64	61	58
3		70	63	58	68	61	56	58	54	50
4		65	57	51	62	55	50	52	47	44
5		60	51	44	57	49	44	47	42	38
6		55	46	39	53	45	39	42	37	34
7		51	41	35	49	40	34	38	33	29
8		47	37	31	45	36	30	34	29	26
9		43	33	27	42	32	27	31	26	22
10		40	30	24	39	29	24	28	23	20

TOTAL LUMINAIRE

OPTICAL EFFICIENCY = **76.6 %**

SPACING CRITERIA: ACROSS= 1.5 ALONG= 1.2

BACK VIEW



H. E. WILLIAMS, INC.

H.E. Williams, Inc. • Carthage, Missouri • www.hewilliams.com • 417-358-4065 • Fax: 417-358-6015

Information contained herein is subject to change without notice.

HEWJP42828 09/02/11RJ