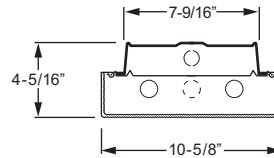
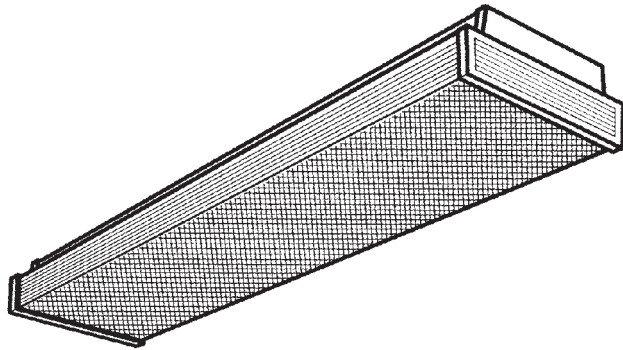


# 2 OR 3 LAMP EXTRUDED WRAP AROUND

SERIES **23**

VOLTAGE TYPE JOB \_\_\_\_\_  
 \_\_\_\_\_  
 \_\_\_\_\_



## SPECIFICATIONS

- HOUSING – 20-gauge die-formed C.R.S.
- SHIELDING – .125" nominal thickness extruded clear acrylic prismatic diffuser.
- FINISH – 92% minimum average reflective white powder coat with multi-stage iron/phosphate prepared metal.
- ELECTRICAL – Electronic ballast standard, instant start T8, rated Class P.
- LABELS – UL/CUL listed as fluorescent luminaire suitable for dry or damp locations.
- MOUNTING – Surface or suspended.

## FEATURES

- Injection-molded, opaque white end caps provide decorative appearance and ensure long-term diffuser stability.
- Full, separate wireway allows consistent lamp spacing and more uniform distribution of light.
- Fully-enclosed spring-loaded barrel latches secure diffuser to fixture housing.
- Individual or continuous row mounting.
- Wireway is accessible without the use of tools.
- Ballast secured by two captive bolts and nuts to ensure a tight, reliable fit for maximum heat dissipation and minimal ballast noise.
- All parts painted after fabrication to facilitate installation, increase efficiency, and inhibit corrosion.
- This fixture is proudly made in the USA.

## SUBMITTAL INFORMATION

NOMINAL LENGTH  
 4 = 4 ft.  
 8 = 8 ft.

TOTAL LAMPS  
 2, 3, 4, or 6

SHIELDING  
 A = .125" nominal thickness extruded  
 clear acrylic prismatic diffuser

VOLTAGE  
 120 = 120V  
 277 = 277V

**23-4-232-A-OPTIONS-EB2-120**

LUMINAIRE SERIES

EM7A = Emergency battery pack  
 (B70A) or equivalent

BALLAST TYPE: (dependent on specified lamp type)  
 EB2 = 2-lamp electronic ballast  
 EB3 = 3-lamp electronic ballast  
 EB4 = 4-lamp electronic ballast  
 EB2/1 = (1) 2-lamp & (1) 1-lamp electronic ballast

LAMP WATTAGE/TYPE  
 32 = 4', 32-watt T8

For more options,  
 accessories, and  
 product details, refer to  
 Information Section.



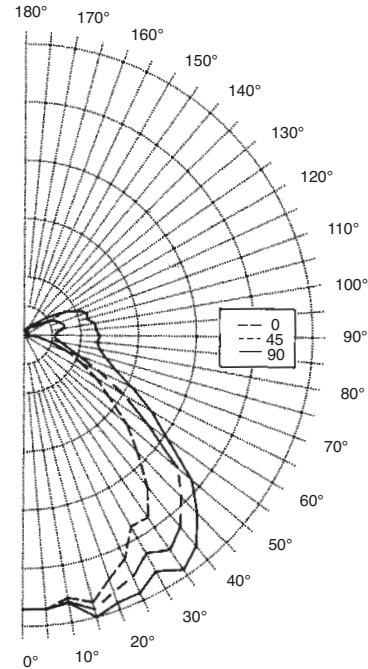
FLUORESCENT LIGHTING

Williams Catalog #23-4-232-A-EB2-120  
 Test Report #7859.0, Dated 3/09/94

Lamp Type: F32T8/735/RS  
 Lamp Quantity: 2

**CANDLEPOWER DISTRIBUTION**

VERT. ANG.	HORIZONTAL ANGLE			ZONAL LUMENS
	0	45	90	
0	1265.	1265.	1265.	
5	1273.	1274.	1285.	122.1
15	1274.	1306.	1345.	370.0
25	1133.	1224.	1305.	565.9
35	1021.	1202.	1313.	745.0
45	756.	1048.	1152.	779.5
55	487.	713.	823.	626.0
65	298.	388.	559.	404.6
75	150.	213.	397.	251.7
85	37.	146.	344.	189.2
90	0.	145.	356.	
95	0.	156.	338.	179.2
105	9.	194.	304.	182.6
115	14.	93.	275.	152.7
125	18.	164.	160.	82.8
135	20.	56.	81.	41.1
145	27.	50.	63.	29.1
155	25.	33.	42.	15.0
165	33.	30.	34.	8.9
175	27.	25.	23.	2.4
180	25.	25.	25.	



**LUMEN SUMMARY**

ZONE	LUMENS	% LAMP	% FIXTURE
0 - 30	1058.	18.6	22.3
0 - 40	1803.	31.6	38.0
0 - 60	3208.	56.3	67.6
0 - 90	4054.	71.1	85.4
90 - 120	515.	9.0	10.8
90 - 130	597.	10.5	12.6
90 - 150	668.	11.7	14.1
90 - 180	694.	12.2	14.6
Total Luminaire			
0-180	4748	83.3	100.0

**ZONAL CAVITY COEFFICIENTS**

EFFECTIVE FLOOR CAVITY REFL. = .20

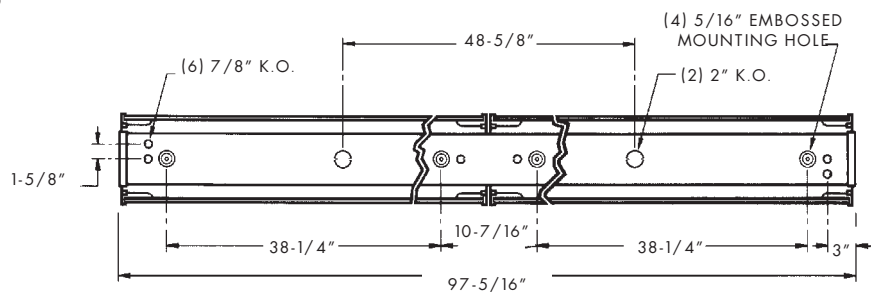
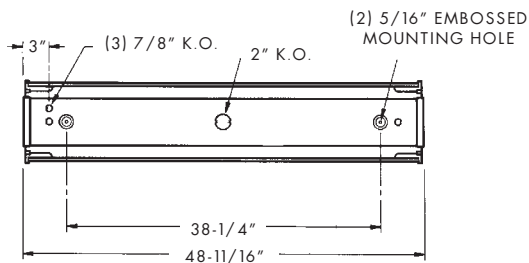
CEILING	.80			.70			.50			
	WALL RCR	.70	.50	.30	.70	.50	.30	.50	.30	.10
0		95	95	95	91	91	91	84	84	84
1		87	84	80	84	80	77	74	72	70
2		80	74	69	77	71	66	66	62	59
3		74	66	60	71	64	58	59	54	51
4		68	59	52	65	57	51	53	48	44
5		62	52	46	60	51	44	47	42	38
6		58	47	40	55	46	39	43	37	33
7		53	43	36	51	41	35	39	33	29
8		49	38	32	47	37	31	35	29	25
9		45	34	28	43	33	27	31	26	22
10		42	31	25	40	30	24	28	23	19

**TOTAL LUMINAIRE**

OPTICAL EFFICIENCY = **83.3 %**

SPACING CRITERIA: ACROSS= 1.6 ALONG= 1.2

**BACK VIEW**



H. E. WILLIAMS, INC.

H.E. Williams, Inc. • Carthage, Missouri • [www.hewilliams.com](http://www.hewilliams.com) • 417-358-4065 • Fax: 417-358-6015

Information contained herein is subject to change without notice.

HEWJP42829 09/02/11RJ