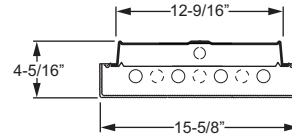
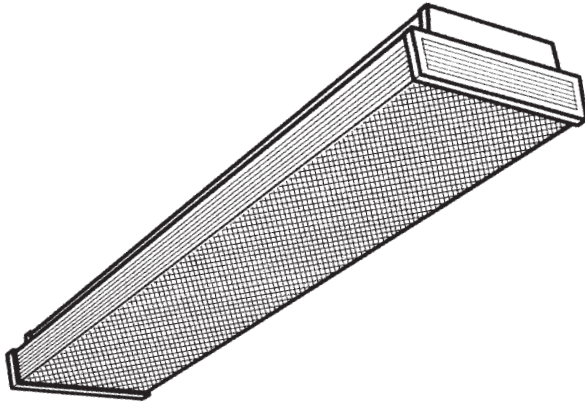


# 2, 3, OR 4 LAMP EXTRUDED WRAP AROUND

SERIES **24**  
 JOB \_\_\_\_\_  
 TYPE \_\_\_\_\_  
 VOLTAGE \_\_\_\_\_



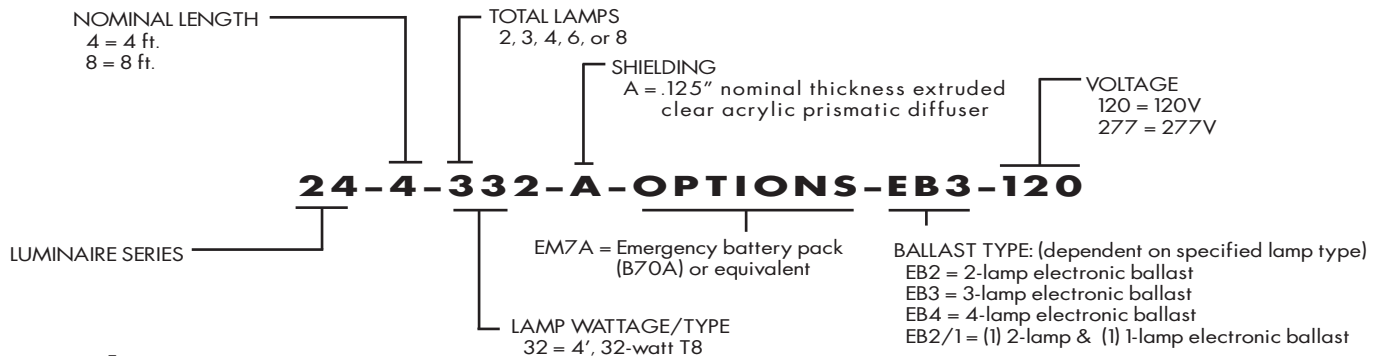
## SPECIFICATIONS

- HOUSING – 20-gauge die-formed C.R.S.
- SHIELDING – .125" nominal thickness extruded clear acrylic prismatic diffuser.
- FINISH – 92% minimum average reflective white powder coat with multi-stage iron/phosphate prepared metal.
- ELECTRICAL – Electronic ballast standard, instant start T8, rated Class P.
- LABELS – UL/CUL listed as fluorescent luminaire suitable for dry or damp locations.
- MOUNTING – Surface or suspended.

## FEATURES

- Injection-molded, opaque white end caps provide decorative appearance and ensure long-term diffuser stability.
- Full, separate wireway allows consistent lamp spacing and more uniform distribution of light.
- Fully-enclosed spring-loaded barrel latches secure diffuser to fixture housing.
- Individual or continuous row mounting.
- Wireway is accessible without the use of tools.
- Ballast secured by two captive bolts and nuts to ensure a tight, reliable fit for maximum heat dissipation and minimal ballast noise.
- All parts painted after fabrication to facilitate installation, increase efficiency, and inhibit corrosion.
- This fixture is proudly made in the USA.

## SUBMITTAL INFORMATION



For more options, accessories, and product details, refer to Information Section.



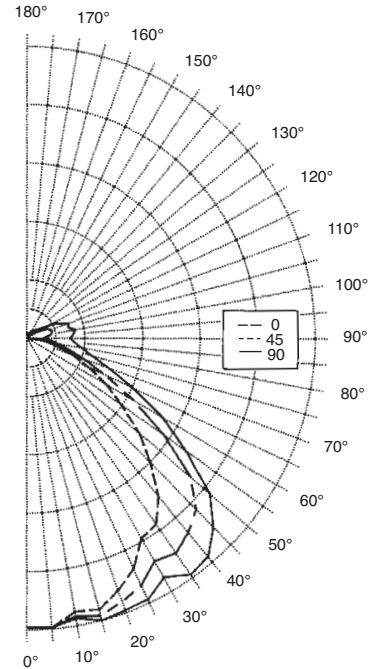
FLUORESCENT LIGHTING

Williams Catalog #24-4-332-A-EB3-120  
 Test Report #7863.0, Dated 3/11/94

Lamp Type: F32T8/735/RS  
 Lamp Quantity: 3

**CANDLEPOWER DISTRIBUTION**

VERT. ANG.	HORIZONTAL ANGLE			ZONAL LUMENS
	0	45	90	
0	1984.	1984.	1984.	
5	1981.	1974.	1981.	189.0
15	1926.	1969.	2003.	557.5
25	1741.	1867.	1974.	863.6
35	1553.	1797.	1977.	1119.9
45	1200.	1658.	1829.	1227.6
55	789.	1148.	1344.	1007.0
65	470.	596.	805.	611.6
75	230.	298.	462.	332.4
85	64.	158.	325.	196.0
90	0.	107.	297.	
95	0.	131.	322.	159.6
105	5.	179.	290.	168.1
115	11.	150.	250.	139.6
125	16.	78.	124.	67.1
135	18.	54.	78.	39.1
145	23.	46.	65.	28.3
155	23.	31.	40.	14.6
165	30.	31.	34.	8.8
175	25.	23.	22.	2.2
180	24.	24.	24.	



**LUMEN SUMMARY**

ZONE	LUMENS	% LAMP	% FIXTURE
0 - 30	1610.	18.8	23.9
0 - 40	2730.	31.9	40.6
0 - 60	4965.	58.1	73.7
0 - 90	6105.	71.4	90.7
90 - 120	467.	5.5	6.9
90 - 130	534.	6.2	7.9
90 - 150	602.	7.0	8.9
90 - 180	627.	7.3	9.3
Total Luminaire			
0-180	6732.	78.7	100.0

**TOTAL LUMINAIRE OPTICAL EFFICIENCY = 78.7 %**

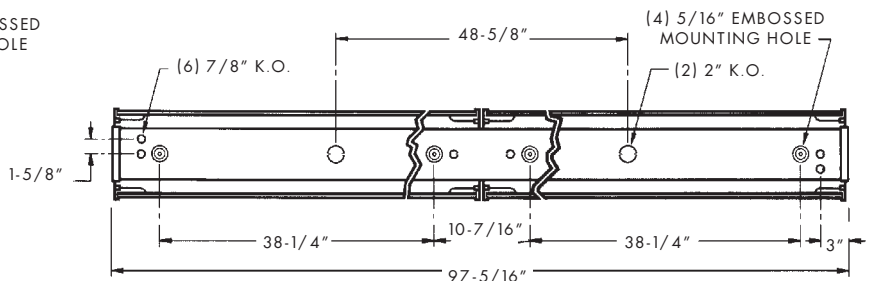
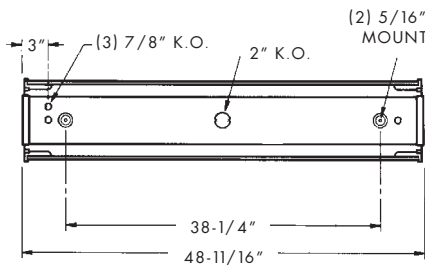
SPACING CRITERIA: ACROSS= 1.5 ALONG= 1.2

**ZONAL CAVITY COEFFICIENTS**

EFFECTIVE FLOOR CAVITY REFL. = .20

CEILING	.80			.70			.50			
	WALL	.70	.50	.30	.70	.50	.30	.50	.30	.10
0	89	89	89	86	86	86	80	80	80	
1	82	79	76	79	77	74	72	70	68	
2	76	70	66	73	68	64	64	61	58	
3	70	63	58	68	61	56	58	54	50	
4	65	57	51	62	55	50	52	47	44	
5	60	51	44	57	49	44	47	42	38	
6	55	46	39	53	45	39	42	37	34	
7	51	41	35	49	40	34	38	33	29	
8	47	37	31	45	36	30	34	29	26	
9	43	33	27	42	32	27	31	26	22	
10	40	30	24	39	29	24	28	23	20	

**BACK VIEW**



H. E. WILLIAMS, INC.

H.E. Williams, Inc. • Carthage, Missouri • [www.hewilliams.com](http://www.hewilliams.com) • 417-358-4065 • Fax: 417-358-6015

Information contained herein is subject to change without notice.

HEWJP42830 09/02/11RJ