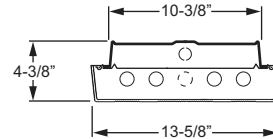
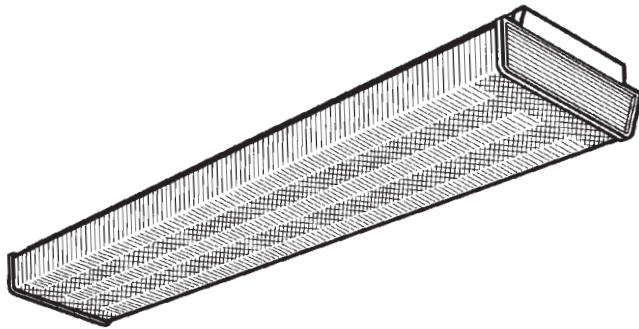


2, 3, OR 4 LAMP INJECTION-MOLDED WRAP AROUND

SERIES **3 2**

VOLTAGE TYPE JOB _____



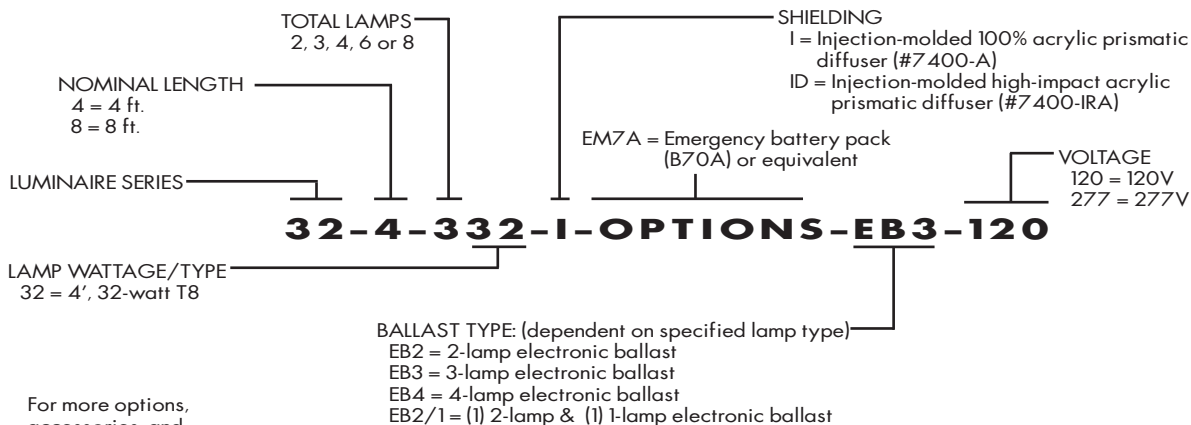
SPECIFICATIONS

- HOUSING – 20-gauge die-formed C.R.S.
- SHIELDING – Injection-molded clear acrylic prismatic diffuser standard or high-impact diffuser optional.
- FINISH – 92% minimum average reflective white powder coat with multi-stage iron/phosphate prepared metal.
- ELECTRICAL – Electronic ballast standard, instant start T8, rated Class P.
- LABELS – UL/CUL listed as fluorescent luminaire suitable for dry or damp locations.
- MOUNTING – Surface or suspended.

FEATURES

- Available with high-impact diffuser.
- Nearly 90% efficient.
- Injection-molded opaque white end caps provide decorative appearance and ensure long-term diffuser stability.
- Fully-enclosed spring-loaded barrel latches secure diffuser to fixture housing.
- Individual or continuous row mounting.
- Wireway is accessible without the use of tools.
- All parts painted after fabrication to facilitate installation, increase efficiency, and inhibit corrosion.
- This fixture is proudly made in the USA.

SUBMITTAL INFORMATION



For more options, accessories, and product details, refer to Information Section.



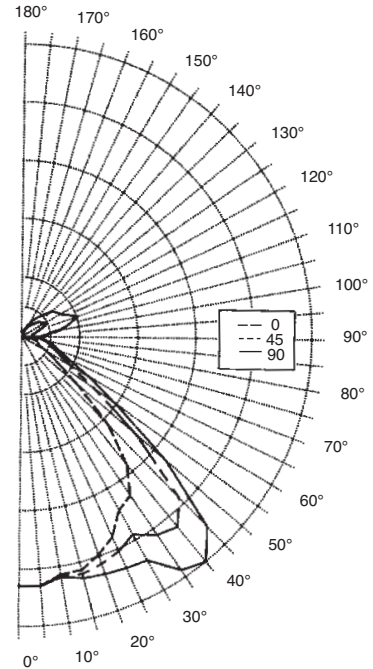
FLUORESCENT LIGHTING

Williams Catalog #32-4-332-I-EB3-120
Test Report #7871.0, Dated 3/02/94

Lamp Type: F32T8/735/RS
Lamp Quantity: 3

CANDLEPOWER DISTRIBUTION

VERT. ANG.	HORIZONTAL ANGLE			ZONAL LUMENS
	0	45	90	
0	2094.	2094.	2094.	
5	2083.	2093.	2084.	198.9
15	2025.	2058.	2095.	582.0
25	1849.	1980.	2134.	917.0
35	1619.	2016.	2375.	1259.9
45	1040.	1893.	2232.	1375.8
55	376.	755.	976.	664.6
65	168.	354.	438.	354.4
75	138.	247.	288.	248.9
85	47.	162.	178.	157.5
90	0.	106.	152.	
95	0.	90.	197.	105.7
105	8.	110.	410.	181.2
115	15.	224.	428.	223.0
125	20.	201.	354.	171.4
135	25.	153.	258.	111.4
145	33.	98.	169.	61.6
155	35.	59.	88.	27.9
165	46.	52.	56.	14.5
175	39.	41.	39.	3.8
180	37.	37.	37.	



LUMEN SUMMARY

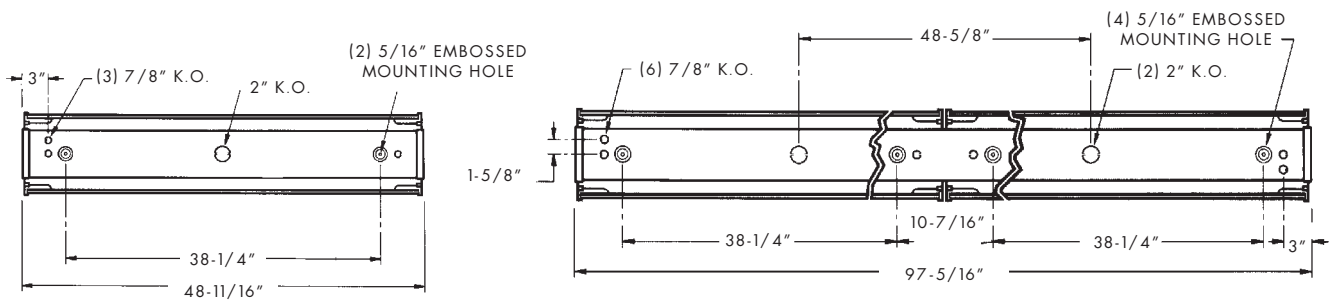
ZONE	LUMENS	% LAMP	% FIXTURE
0 - 30	1698.	19.9	25.5
0 - 40	2958.	34.6	44.4
0 - 60	4998.	58.5	75.1
0 - 90	5759.	67.4	86.5
90 - 120	510.	6.0	7.7
90 - 130	681.	8.0	10.2
90 - 150	854.	10.0	12.8
90 - 180	900.	10.5	13.5
Total Luminaire			
0-180	6659.	77.9	100.0

ZONAL CAVITY COEFFICIENTS
EFFECTIVE FLOOR CAVITY REFL. = .20

CEILING	.80			.70			.50			
	WALL	.70	.50	.30	.70	.50	.30	.50	.30	.10
0	90	90	90	87	87	87	81	81	81	
1	83	80	77	80	77	75	72	70	68	
2	77	71	67	74	69	65	65	61	58	
3	71	64	58	68	62	57	58	54	51	
4	66	57	51	63	56	50	52	48	44	
5	60	51	45	58	50	44	47	42	38	
6	56	46	40	54	45	39	43	37	34	
7	51	41	35	49	40	34	38	33	29	
8	47	37	31	45	36	30	34	29	25	
9	43	33	27	42	32	27	31	25	22	
10	40	30	24	39	29	24	28	23	19	

TOTAL LUMINAIRE OPTICAL EFFICIENCY = 84.3 %
SPACING CRITERIA: ACROSS= 1.7 ALONG= 1.2

BACK VIEW



H. E. WILLIAMS, INC.

H.E. Williams, Inc. • Carthage, Missouri • www.hewilliams.com • 417-358-4065 • Fax: 417-358-6015

Information contained herein is subject to change without notice.

HEWJP42835 09/06/11RJ