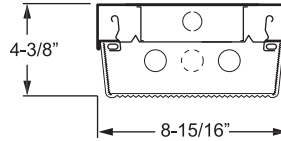
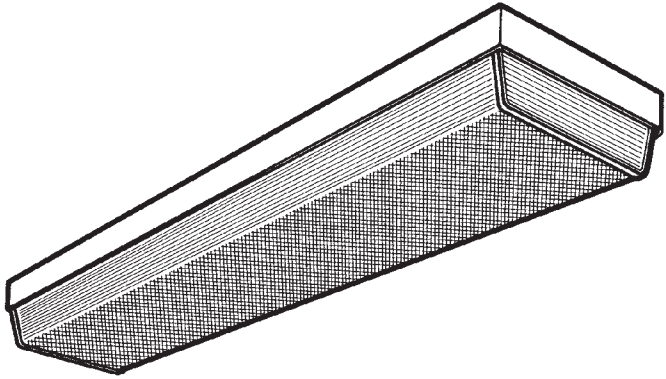


2 OR 3 LAMP EXTRUDED WRAP AROUND

SERIES **37**

VOLTAGE TYPE JOB _____



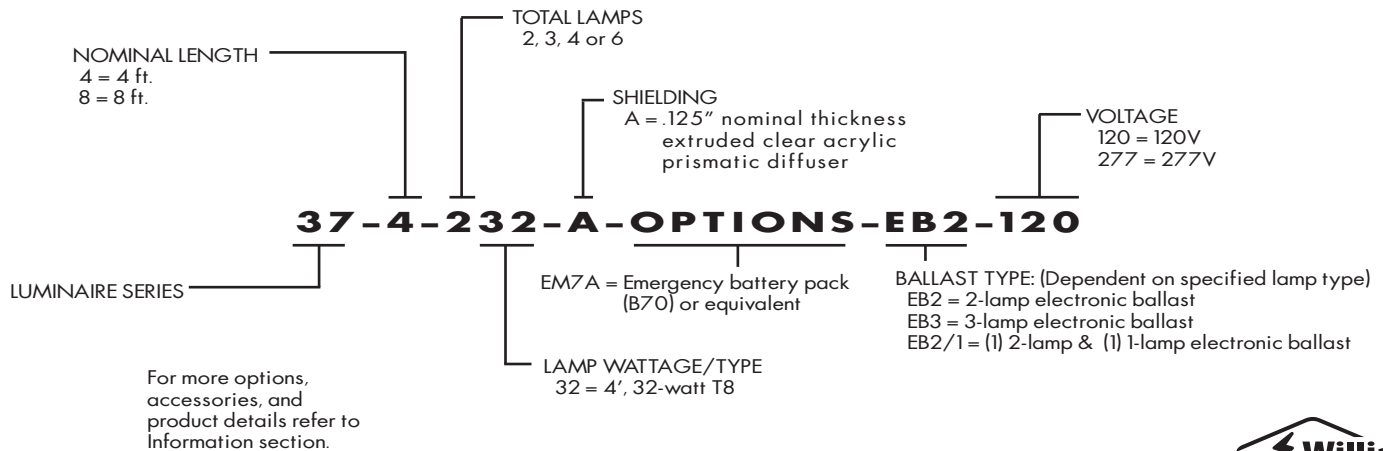
SPECIFICATIONS

- HOUSING – 22-gauge die-formed C.R.S.
- SHIELDING – .125" nominal thickness extruded clear acrylic prismatic diffuser.
- FINISH – 92% minimum average reflective white powder coat with multi-stage iron/phosphate prepared metal.
- ELECTRICAL – Electronic ballast standard, instant start T8, rated Class P.
- LABELS – UL/CUL listed as fluorescent luminaire suitable for dry or damp locations.
- MOUNTING – Surface or suspended.

FEATURES

- Injection-molded, opaque white end caps provide decorative appearance and ensure long-term diffuser stability.
- Full, separate wireway allows consistent lamp spacing and more uniform distribution of light.
- Captive self-centering spring steel latches secure diffuser.
- Wireway is accessible without the use of tools.
- Ballast secured by two captive bolts and nuts to ensure a tight, reliable fit for maximum heat dissipation and minimal ballast noise.
- All parts painted after fabrication to facilitate installation, increase efficiency, and inhibit corrosion.
- This fixture is proudly made in the USA.

SUBMITTAL INFORMATION



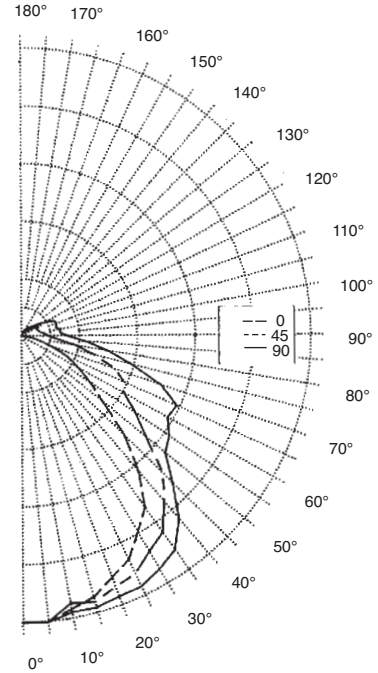
FLUORESCENT LIGHTING

Williams Catalog #37-4-232-A-EB2-120
 Test Report #8872.0, Dated 5/24/96

Lamp Type: F32T8/SPX35/RS
 Lamp Quantity: 2

CANDLEPOWER DISTRIBUTION

VERT. ANG.	HORIZONTAL ANGLE			ZONAL LUMENS
	0	45	90	
0	1492.	1492.	1492.	
5	1445.	1445.	1446.	137.9
15	1409.	1435.	1465.	406.6
25	1289.	1370.	1443.	632.5
35	1098.	1256.	1367.	780.9
45	748.	1024.	1093.	755.0
55	433.	713.	925.	619.7
65	265.	578.	880.	567.4
75	110.	389.	587.	386.8
85	36.	188.	336.	213.3
90	0.	140.	237.	
95	0.	123.	199.	124.0
105	0.	95.	181.	100.1
115	1.	88.	187.	92.1
125	0.	81.	114.	60.6
135	0.	41.	69.	29.5
145	0.	32.	53.	16.7
155	0.	22.	34.	8.1
165	0.	0.	20.	2.1
175	0.	0.	0.	.0
180	0.	0.	0.	



LUMEN SUMMARY

ZONE	LUMENS	% LAMP	% FIXTURE
0 - 30	1177.	19.9	23.9
0 - 40	1958.	33.2	39.7
0 - 60	3333.	56.5	67.6
0 - 90	4500.	76.3	91.2
90 - 120	316.	5.4	6.4
90 - 130	377.	6.4	7.6
90 - 150	423.	7.2	8.6
90 - 180	433.	7.3	8.8
Total Luminaire			
0-180	4933.	83.6	100.0

ZONAL CAVITY COEFFICIENTS

EFFECTIVE FLOOR CAVITY REFL. = .20

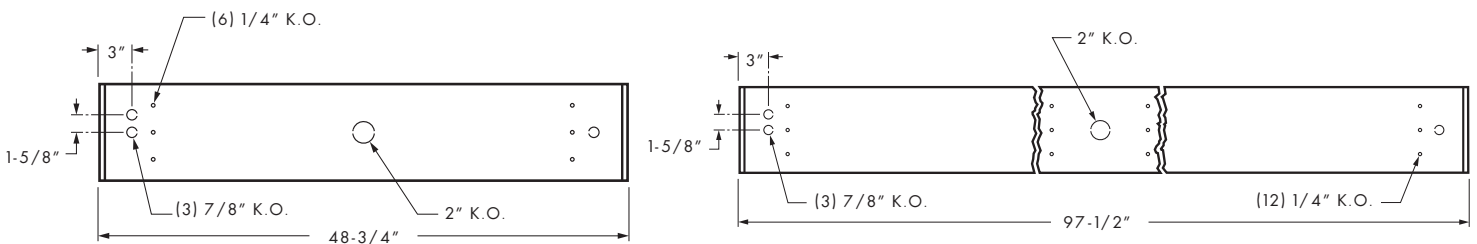
CEILING	.80			.70			.50			
	WALL	.70	.50	.30	.70	.50	.30	.50	.30	.10
0		.98	.98	.98	.95	.95	.95	.89	.89	.89
1		.89	.85	.81	.86	.82	.79	.77	.75	.72
2		.81	.74	.68	.78	.72	.67	.68	.63	.60
3		.74	.65	.59	.71	.64	.57	.60	.55	.50
4		.68	.58	.51	.65	.56	.50	.53	.48	.43
5		.62	.51	.44	.60	.50	.43	.47	.41	.37
6		.57	.46	.39	.55	.45	.38	.43	.36	.32
7		.53	.41	.34	.51	.40	.33	.38	.32	.28
8		.48	.37	.30	.47	.36	.29	.34	.28	.24
9		.45	.33	.26	.43	.33	.26	.31	.25	.21
10		.42	.30	.24	.40	.30	.23	.28	.22	.19

TOTAL LUMINAIRE

OPTICAL EFFICIENCY = 83.6 %

SPACING CRITERIA: ACROSS= 1.4 ALONG= 1.2

BACK VIEW



H. E. WILLIAMS, INC.

H.E. Williams, Inc. • Carthage, Missouri • www.hewilliams.com • 417-358-4065 • Fax: 417-358-6015

Information contained herein is subject to change without notice.

HEW JP42843 09/06/11RJ