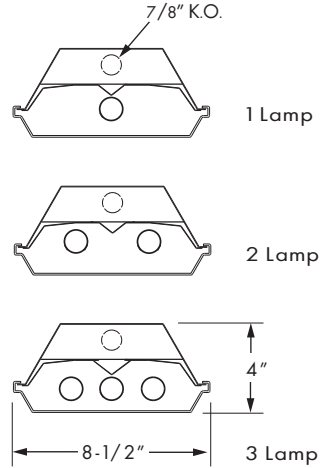
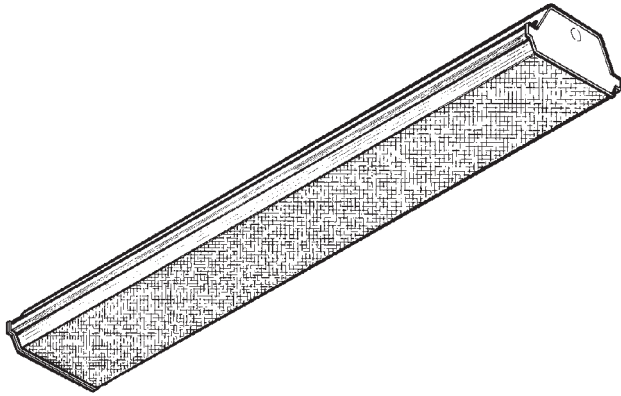


# EFFICIENCY WRAP AROUND

SERIES **EW**  
 JOB \_\_\_\_\_  
 TYPE \_\_\_\_\_  
 VOLTAGE \_\_\_\_\_



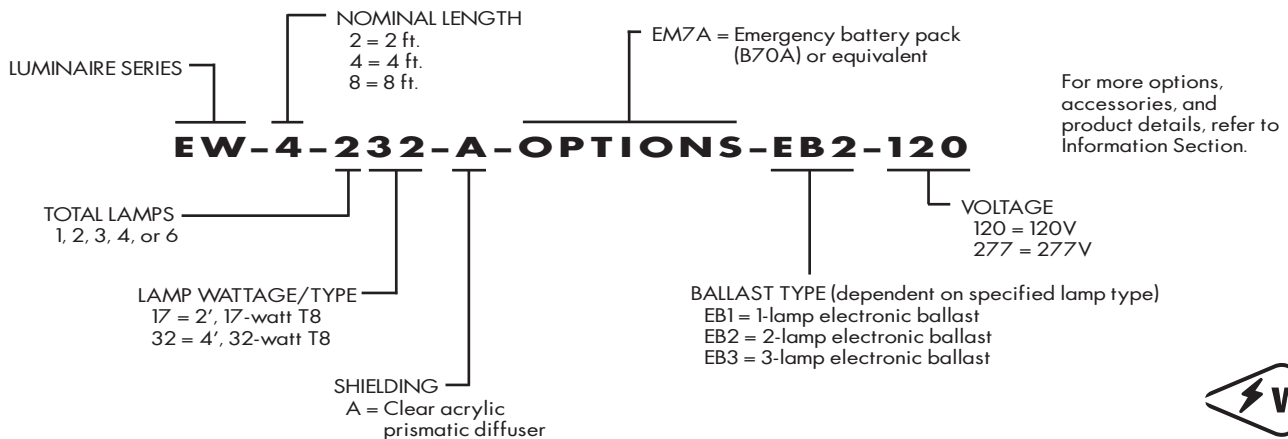
## SPECIFICATIONS

- HOUSING – 22-gauge die-formed C.R.S.
- REFLECTIVE SURFACES – Highly-specular, multi-faceted aluminum reflector standard, 92% average reflectance white powder coat reflector optional.
- SHIELDING – Self-captive extruded clear acrylic prismatic diffuser with 30% DR high-impact additive.
- FINISH – 92% minimum average reflective white powder coat with multi-stage iron/phosphate prepared metal.
- ELECTRICAL – Electronic ballast standard, instant start T8, rated Class P.
- LABELS – UL/CUL listed as fluorescent luminaire suitable for dry or damp locations.
- MOUNTING – Surface or suspended.

## FEATURES

- Over 90% efficient.
- Highly-specular multi-faceted reflector provides wide distribution for uniform illumination.
- Balanced fixture requires only two mounting points for all lamp configurations.
- Individual or continuous row mounting.
- Available in 2 ft., 4 ft., and 8 ft. lengths.
- Diffuser may be replaced without the use of tools.
- Wireway is accessible without the use of tools.
- Ballast secured by two captive bolts and nuts to ensure a tight, reliable fit for maximum heat dissipation and minimal ballast noise.
- All parts painted after fabrication to facilitate installation, increase efficiency, and inhibit corrosion.
- This fixture is proudly made in the USA.

## SUBMITTAL INFORMATION



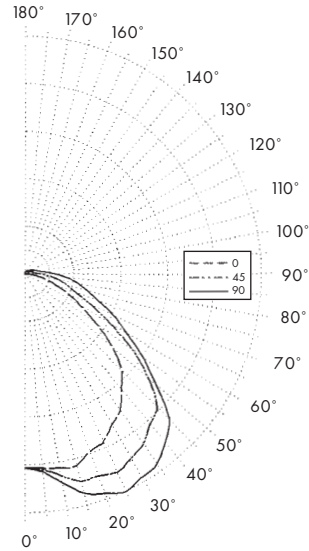
FLUORESCENT LIGHTING

Williams Catalog #EW-4-132-A-EB1  
 Test Report #10207.0, Dated 2/11/99

Lamp Type: F32T8/835/RS  
 Lamp Quantity: 1

**CANDLEPOWER DISTRIBUTION**

VERT. ANG.	HORIZONTAL ANGLE			ZONAL LUMENS
	0	45	90	
0	714.	714.	714.	
5	718.	724.	732.	69.3
15	732.	790.	835.	223.1
25	683.	803.	881.	367.1
35	613.	763.	852.	470.4
45	506.	693.	758.	512.1
55	324.	487.	533.	405.4
65	178.	267.	360.	265.0
75	80.	160.	236.	173.2
85	24.	90.	156.	102.6
95	0.	40.	80.	44.2



**LUMEN SUMMARY**

ZONE	LUMENS	% LAMP	% FIXTURE
0 - 30	659.	22.7	24.3
0 - 40	1130.	39.0	41.6
0 - 60	2047.	70.6	75.5
0 - 90	2588.	89.2	95.4

**TOTAL LUMINAIRE OPTICAL EFFICIENCY = 93.6 %**  
 SPACING CRITERIA: ACROSS= 1.7 ALONG= 1.3

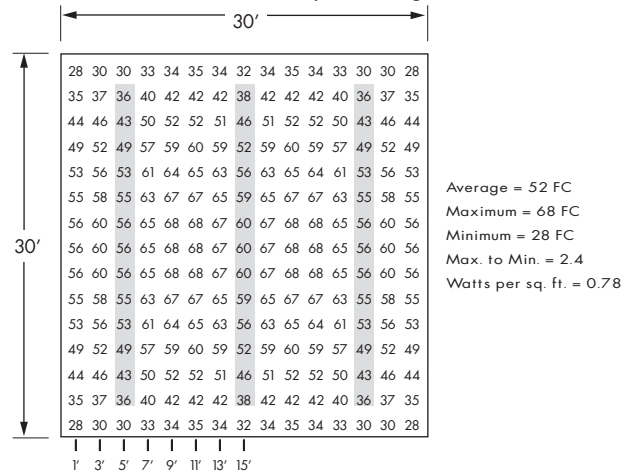
**ZONAL CAVITY COEFFICIENTS**

EFFECTIVE FLOOR CAVITY REFL. = .20

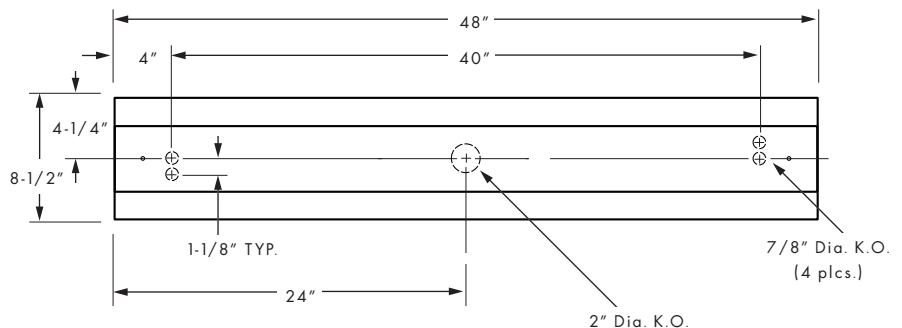
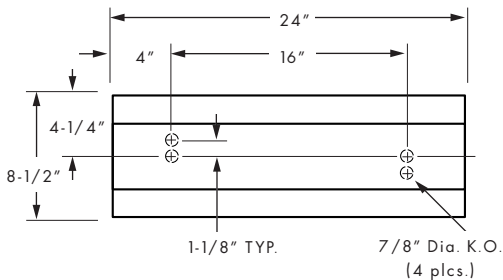
CEILING WALL RCR	.80			.70			.50		
	.70	.50	.30	.70	.50	.30	.50	.30	.10
0	110	110	110	107	107	107	102	102	102
1	101	96	92	98	94	90	89	86	83
2	92	85	79	89	83	77	79	74	70
3	85	75	68	82	73	67	70	64	59
4	78	67	59	75	65	58	62	56	51
5	71	59	51	69	58	50	55	49	43
6	65	53	45	63	52	44	50	43	38
7	60	47	39	58	46	39	44	38	33
8	55	42	34	53	41	34	40	33	28
9	50	38	30	49	37	29	35	29	24
10	47	34	27	45	33	26	32	26	21

**TYPICAL CLASSROOM INSTALLATION**

1-lamp cross section EW-4-132-A-EB1  
 30' x 30' room, 9' ceilings, 80/50/20 reflectances  
 Three 24' rows, 10' on center, Electronic ballast,  
 1.18 ballast factor, Workplane height = 2.5'



**MOUNTING**



Back punching of 8' fixture consists of duplicate 4' punchings.



H. E. WILLIAMS, INC.