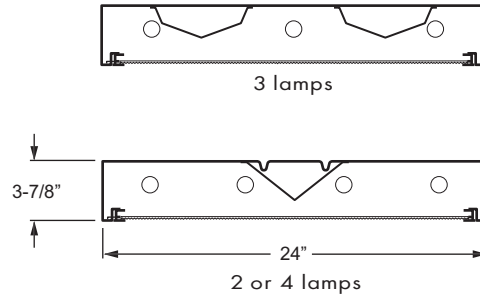
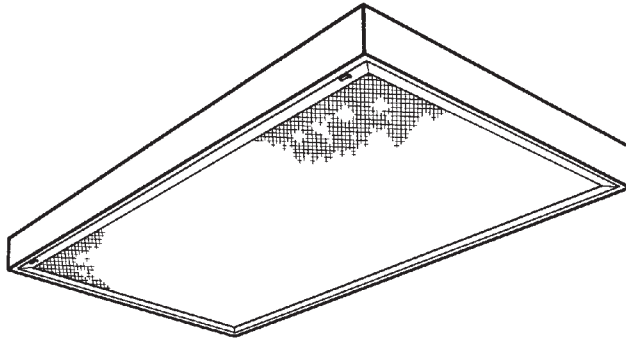


2' x 4' SURFACE MOUNT

SERIES **12-4**

VOLTAGE TYPE JOB _____



SPECIFICATIONS

- HOUSING – 20-gauge die-formed, welded C.R.S.
- DOOR FRAME – 20-gauge C.R.S. or 0.050" extruded aluminum with mitered corners. Fully-enclosed, spring-loaded cam latches.
- SHIELDING – Clear acrylic prismatic lens standard.
- FINISH – 92% minimum average reflective white powder coat with multi-stage iron/phosphate prepared metal.
- ELECTRICAL – Electronic ballast standard, either instant start or programmed start, rated Class P.
- LABELS – UL/CUL listed as fluorescent luminaire suitable for dry or damp locations.
- MOUNTING – Surface or suspended.

FEATURES

- Fully-enclosed spring-loaded cam latches allow years of hassle-free maintenance.
- Mitered corners provide clean, crisp appearance with no visible rivets or screws.
- Welded end plates ensure durable, rigid construction.
- Fully-gasketed door minimizes contaminants.
- Ballast secured by two captive bolts and nuts to ensure a tight, reliable fit for maximum heat dissipation and minimal ballast noise.
- All parts painted after fabrication to facilitate installation, increase efficiency, and inhibit corrosion.
- This fixture is proudly made in the USA.

ORDERING INFORMATION

Submittal

EXAMPLE: **12** - **4** - **3** **32** - **R** **A12125** - **OPTIONS** - **EB3** - **UNV**

| | | |
|--------------------------|-------------------------------|--|
| SERIES | 12 | 2' x 4' Surface Mount with Solid Sides |
| NOMINAL LENGTH | 4 | 4' |
| TOTAL LAMPS | 2, 3, or 4 | |
| LAMP WATTAGE/TYPE | 28T5S 4', 28-watt T5 | |
| | 32 4', 32-watt T8 | |
| | 54T5H 4', 54-watt T5HO | |

| | | |
|------------------------|---------------|---|
| DOOR FRAME TYPE | R | White regress aluminum |
| | F | White flat aluminum |
| | S | White flat steel |
| | RB | Black regress aluminum |
| | FB | Black flat aluminum |
| | SB | Black flat steel |
| SHIELDING | A12125 | #12 pattern acrylic, .125" thick |
| | A19156 | #19 pattern acrylic, .156" thick |
| | DA | Drop dish acrylic |
| | PC1SS | Nominal 1/2" x 1/2" x 1/2" silver polystyrene |
| | PC2SS | Nominal 1-1/2" x 1-1/2" x 1" silver polystyrene |

| | | |
|---------------------|--------------|--------------------------------|
| BALLAST TYPE | EB2 | 2-lamp electronic ballast |
| | EB3 | 3-lamp electronic ballast |
| | EB4 | 4-lamp electronic ballast |
| | EB2/2 | (2) 2-lamp electronic ballasts |
| VOLTAGE | 120 | 120V |
| | 277 | 277V |
| | UNV | 120 - 277V |
| | 347 | 347V |

For more options, accessories, and product details, refer to Information Section.



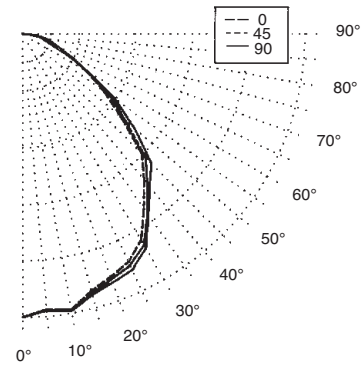
FLUORESCENT LIGHTING

Williams Catalog #12-4-332-RA12125-EB3-120
 Test Report #8530.0, Dated 11/15/95

Lamp Type: F32T8/735/RS
 Lamp Quantity: 3

CANDLEPOWER DISTRIBUTION

| VERT. ANG. | HORIZONTAL ANGLE | | | ZONAL LUMENS |
|------------|------------------|-------|-------|--------------|
| | 0 | 45 | 90 | |
| 0 | 2683. | 2683. | 2683. | |
| 5 | 2622. | 2621. | 2630. | 250.5 |
| 15 | 2520. | 2550. | 2558. | 720.8 |
| 25 | 2382. | 2418. | 2464. | 1121.3 |
| 35 | 2009. | 2070. | 2087. | 1292.4 |
| 45 | 1601. | 1653. | 1730. | 1278.9 |
| 55 | 939. | 1011. | 1066. | 900.6 |
| 65 | 509. | 465. | 487. | 487.1 |
| 75 | 260. | 210. | 287. | 262.0 |
| 85 | 103. | 103. | 116. | 113.6 |
| 90 | 0. | 0. | 0. | |



LUMEN SUMMARY

| ZONE | LUMENS | % LAMP | % FIXTURE |
|------------------------|--------|--------|-----------|
| 0 - 30 | 2093. | 23.6 | 32.6 |
| 0 - 40 | 3385. | 38.2 | 52.7 |
| 0 - 60 | 5564. | 62.9 | 86.6 |
| 0 - 90 | 6427. | 72.6 | 100.0 |
| 90 - 120 | 0. | 0. | 0. |
| 90 - 130 | 0. | 0. | 0. |
| 90 - 150 | 0. | 0. | 0. |
| 90 - 180 | 0. | 0. | 0. |
| Total Luminaire | | | |
| 0-180 | 6427. | 72.6 | 100.0 |

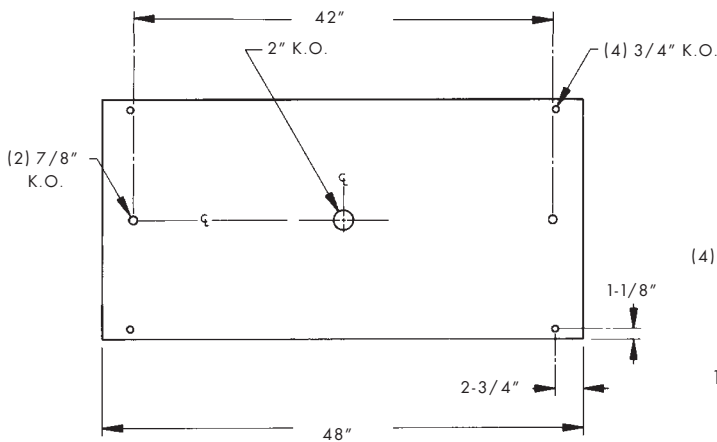
ZONAL CAVITY COEFFICIENTS

EFFECTIVE FLOOR CAVITY REFL. = .20

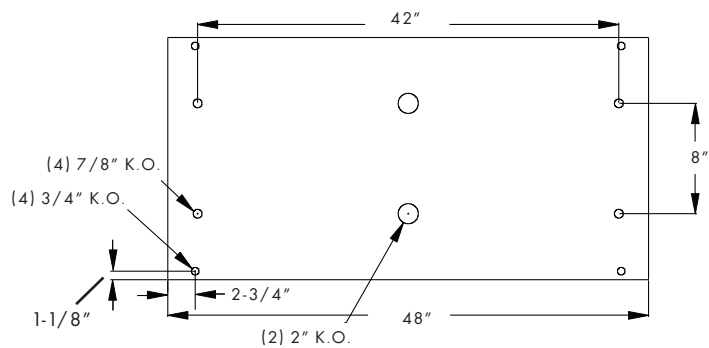
| CEILING | .80 | | | .70 | | | .50 | | | |
|-----------|------|-----|-----|-----|-----|-----|-----|-----|-----|-----|
| | WALL | .70 | .50 | .30 | .70 | .50 | .30 | .50 | .30 | .10 |
| 0 | 86 | 86 | 86 | 84 | 84 | 84 | 81 | 81 | 81 | |
| 1 | 80 | 77 | 75 | 78 | 76 | 73 | 73 | 71 | 69 | |
| 2 | 74 | 69 | 65 | 72 | 68 | 64 | 65 | 62 | 59 | |
| 3 | 69 | 62 | 57 | 67 | 61 | 56 | 59 | 55 | 51 | |
| 4 | 63 | 56 | 50 | 62 | 55 | 50 | 53 | 49 | 45 | |
| 5 | 58 | 50 | 44 | 57 | 49 | 44 | 48 | 43 | 39 | |
| 6 | 54 | 45 | 39 | 53 | 44 | 39 | 43 | 38 | 34 | |
| 7 | 50 | 41 | 35 | 49 | 40 | 34 | 39 | 34 | 30 | |
| 8 | 46 | 36 | 31 | 45 | 36 | 30 | 35 | 30 | 26 | |
| 9 | 42 | 33 | 27 | 41 | 32 | 27 | 31 | 26 | 23 | |
| 10 | 39 | 30 | 24 | 38 | 29 | 24 | 29 | 24 | 20 | |

TOTAL LUMINAIRE OPTICAL EFFICIENCY = 72.6 %
 SPACING CRITERIA: ACROSS= 1.3 ALONG= 1.2

BACK VIEW



2 or 4 Lamp



3 Lamp



FLUORESCENT LIGHTING