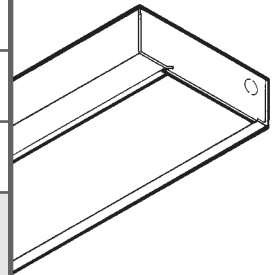


SURFACE WALL WASH

SW



SUBMITTAL:

JOB:

TYPE:

VOLTAGE:

EXAMPLE

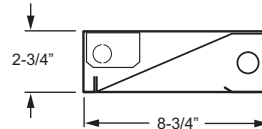
SW - 4 - 1 32 - OPTIONS - EB1 - UNV

SERIES NOMINAL LENGTH TOTAL WATTAGE/LAMPS TYPE OPTIONS BALLAST TYPE VOLTAGE



FEATURES

- ▶ Attractive design allows fixture to be used in multiple environments.
- ▶ Surface mounted, low-profile fixture is ideal for perimeter lighting.
- ▶ Uniformly illuminates vertical surfaces.
- ▶ Utilizes either T8, T5, or long twin tube lamps for design flexibility.
- ▶ Knockouts provided at fixture ends for continuous row mounting.
- ▶ Ballast secured by two captive bolts and nuts to ensure a tight, reliable fit for maximum heat dissipation.
- ▶ This fixture is proudly made in the USA.



SPECIFICATIONS

Housing – 20-gauge die-formed C.R.S.

Reflective Surfaces – 92% minimum average reflective white polyester powder coat on interior components.

Finish – 92% minimum average reflective white polyester powder coat bonded to phosphate-free, multi-stage pretreated metal. All parts painted after fabrication to facilitate installation, increase efficiency, and inhibit corrosion.

Electrical – Electronic ballast standard, instant start T8, program start T5, rated Class P.

Mounting – Surface or suspended.

Labels – UL/CUL listed as fluorescent luminaire suitable for dry or damp locations.

ORDERING INFORMATION

SERIES

SW Surface Wall Wash

NOMINAL LENGTH

2 2'
4 4'

TOTAL LAMPS

1
2 (T5 only)

LAMP WATTAGE/TYPE

2' LAMP OPTIONS

(1-lamp only for T8 or twin tube)

14T5S 2', 14-watt T5
17 2', 17-watt T8
24T5H 2', 24-watt T5HO
40TT 2', 40-watt long twin tube
50TT 2', 50-watt long twin tube
55TT 2', 55-watt long twin tube

4' LAMP OPTIONS

(1-lamp only for T8)

28T5S 4', 28-watt T5
32 4', 32-watt T8
54T5H 4', 54-watt T5HO

OPTIONS

For generic EM ballast options (must specify voltage), see Information section.

BALLAST TYPE

EB1 1-lamp electronic ballast
EB2 2-lamp electronic ballast

VOLTAGE

120 120V
277 277V
UNV 120-277V
347 347V



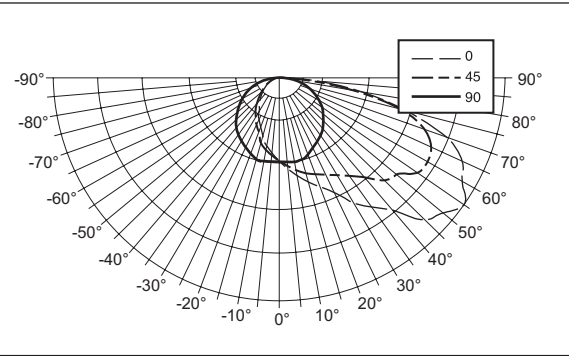
TEST REPORT INFORMATION

- ▶ Test Report #: 10295.0
- ▶ Date: 05/11/99
- ▶ Lamp Type: F32T8/835
- ▶ Lamp Quantity: 1

PHOTOMETRY INFORMATION

CANDLEPOWER DISTRIBUTION

Vertical Angle	Horizontal Angle					Zonal Lumens
	0°	45°	90°	135°	180°	
0°	429.	429.	429.	429.	429.	
5°	467.	452.	417.	390.	375.	40.1
15°	587.	526.	420.	327.	297.	121.5
25°	718.	601.	394.	256.	223.	198.7
35°	848.	672.	361.	197.	168.	272.3
45°	1014.	750.	300.	133.	110.	337.7
55°	1076.	829.	247.	89.	75.	387.8
65°	926.	797.	182.	50.	42.	374.5
75°	596.	554.	110.	24.	21.	286.4
85°	100.	119.	27.	7.	7.	72.0
90°	0.	0.	0.	0.	0.	



LUMEN SUMMARY

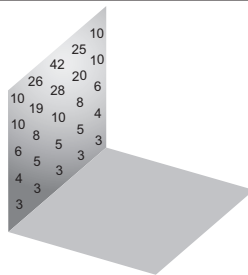
Zone	Lumens	% Lamp	% Fixture
0 - 30	360.	12.2	17.2
0 - 40	633.	21.4	30.3
0 - 60	1358.	46.0	65.0
0 - 90	2091.	70.9	100.0
Total Luminaire:			
0 - 180	2091.	70.9	100.0
Total Luminaire Optical Efficiency: 70.9%			

ZONAL CAVITY COEFFICIENTS

	Ceiling	.80			.70			.50		
	Wall	.70	.50	.30	.70	.50	.30	.50	.30	.10
Room Cavity Ratio	0	.84	.84	.84	.82	.82	.82	.79	.79	.79
	1	.76	.72	.69	.74	.71	.67	.67	.65	.62
	2	.68	.61	.56	.66	.60	.55	.57	.53	.49
	3	.61	.53	.46	.59	.52	.46	.50	.44	.40
	4	.55	.46	.39	.54	.45	.39	.43	.37	.33
	5	.50	.40	.33	.48	.39	.32	.37	.31	.27
	6	.45	.35	.28	.44	.34	.28	.33	.27	.22
	7	.42	.31	.24	.40	.30	.24	.29	.23	.19
	8	.38	.28	.21	.37	.27	.21	.26	.20	.16
	9	.35	.24	.18	.34	.24	.18	.23	.18	.14
	10	.32	.22	.16	.31	.22	.16	.21	.16	.12

Effective Floor Cavity Reflectance = .20

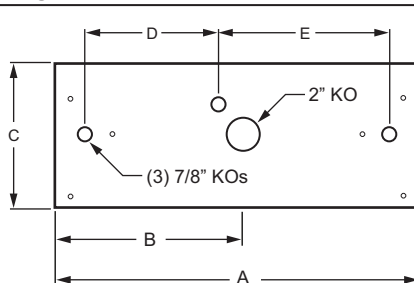
FOOTCANDLE ESTIMATOR



Footcandle calculations based on standard reflectance of 80/50/20 and a light loss factor of .85.

Fixture installed at 10' ceiling height in 12' x 12' room, 3' from wall, centered on ceiling.

BACKVIEW



	A	B	C	D	E
2' Unit	24"	12"	8-3/4"	8-1/2"	11-1/2"
4' Unit	48"	24"	8-3/4"	22-1/2"	21-1/2"