

SUBMITTAL:

T8

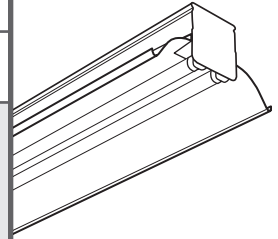
JOB:

TYPE:

VOLTAGE:

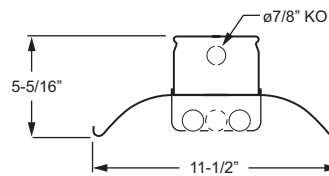
EXAMPLE **81 - 8 - 4 32 - OPTIONS - EB2/2 - UNV**

SERIES NOMINAL LENGTH TOTAL WATTAGE/LAMPS OPTIONS/ACCESSORIES BALLAST TYPE VOLTAGE



FEATURES

- ▶ For light industrial applications and low to medium mounting heights.
- ▶ Accommodates up to three T8 lamps in cross-section and features a shallow reflector for broad, downward light distribution.
- ▶ Up to **96.3% optical efficiency**.
- ▶ Factory-mounted prewired sockets and hinging/locking lamp brackets reduce installation time.
- ▶ Ribbed channel provides extra strength and durability.
- ▶ One quarter-turn fastener secures reflector and housing.
- ▶ Channel connector furnished for continuous row applications.
- ▶ Ballast(s) secured by two captive bolts and nuts to ensure a tight, reliable fit for maximum heat dissipation.
- ▶ This fixture is proudly made in the USA.



SPECIFICATIONS

Housing – 20-gauge die-formed C.R.S.
Reflector – 22-gauge die-formed C.R.S. with 92% minimum average reflective white polyester powder coated finish.
Finish – 92% minimum average reflective white polyester powder coat bonded to phosphate-free, multi-stage pretreated metal. All parts painted after fabrication to facilitate installation, increase efficiency, and inhibit corrosion.
Electrical – Electronic ballast standard, instant start T8, rated Class P.
Mounting – Surface or suspended (see options in ordering information).
Labels – UL/CUL listed as fluorescent luminaire suitable for dry or damp locations.

ORDERING INFORMATION

SERIES

81 Utility-Grade Industrial

NOMINAL LENGTH

4 4'
8 8'

TOTAL LAMPS

1, 2, 3, 4, or 6 (1-, 2-, or 3-lamp cross-section)

LAMP WATTAGE/TYPE

32 4', 32-watt T8
59 8', 59-watt T8 (1- or 2-lamp cross-section only)
86 8', 86-watt T8 (1- or 2-lamp cross-section only)

OPTIONS/ACCESSORIES

For generic EM ballast options (must specify voltage), see Fluorescent Information section.
 Wireguard accessory available, ordered separately, see Fluorescent Information section.
 See Fluorescent Information section for mounting option details.

UL Reflector with upright component
RA-80 Reflector row aligner (1 pair)
SS-12 Single stem and canopy, 12"
SWS-12 Swivel stem and canopy, 12"
325 1-1/2" ceiling spacer
GAT GAT fastener (T-bar clip)
VBY (2) Y-hangers
VBY-2 (2) Y-hangers and (2) 2' chains

BALLAST TYPE

EB1 1-lamp electronic ballast
EB2 2-lamp electronic ballast
EB3 3-lamp electronic ballast
EB4 4-lamp electronic ballast
EB2/1 (1) 2-lamp and (1) 1-lamp electronic ballast
EB2/2 (2) 2-lamp electronic ballasts
EB3/3 (2) 3-lamp electronic ballasts
EB4/2 (1) 4-lamp and (1) 2-lamp electronic ballast

VOLTAGE

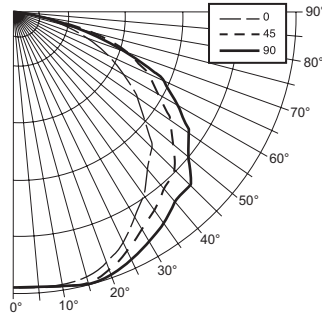
120 120V
277 277V
UNV 120-277V
347 347V

PHOTOMETRY

Catalog #: 81-8-432-EB2/2

TEST REPORT INFORMATION

- ▶ Test Report #: 8602.0
- ▶ Date: 12/27/95
- ▶ Lamp Type: F32T8/SPX735/RS
- ▶ Lamp Quantity: 4



CANDLEPOWER DISTRIBUTION

Vertical Angle	Horizontal Angle			Zonal Lumens
	0°	45°	90°	
0°	3372.	3372.	3372.	
5°	3370.	3374.	3376.	322.2
15°	3360.	3426.	3450.	967.8
25°	3098.	3220.	3342.	1492.3
35°	2712.	2946.	3146.	1847.1
45°	2342.	2744.	3000.	2092.7
55°	1798.	2286.	2562.	2006.0
65°	1218.	1762.	1968.	1674.3
75°	572.	942.	784.	864.8
85°	62.	80.	82.	100.9
90°	0.	0.	0.	

ZONAL CAVITY COEFFICIENTS

	Ceiling	.80			.70			.50		
	Wall	.70	.50	.30	.70	.50	.30	.50	.30	.10
Room Cavity Ratio	0	1.15	1.15	1.15	1.12	1.12	1.12	1.07	1.07	1.07
	1	1.06	1.01	.97	1.03	.99	.95	.95	.92	.89
	2	.96	.88	.82	.94	.87	.81	.83	.78	.74
	3	.88	.78	.70	.85	.76	.69	.74	.67	.62
	4	.80	.69	.60	.78	.67	.60	.65	.58	.53
	5	.73	.60	.51	.71	.59	.51	.57	.50	.44
	6	.67	.54	.45	.65	.53	.44	.51	.43	.38
	7	.61	.48	.39	.59	.47	.39	.46	.38	.33
	8	.56	.43	.34	.55	.42	.34	.41	.33	.28
	9	.52	.38	.30	.50	.38	.30	.36	.29	.24
	10	.48	.35	.27	.47	.34	.26	.33	.26	.21

Effective Floor Cavity Reflectance = .20

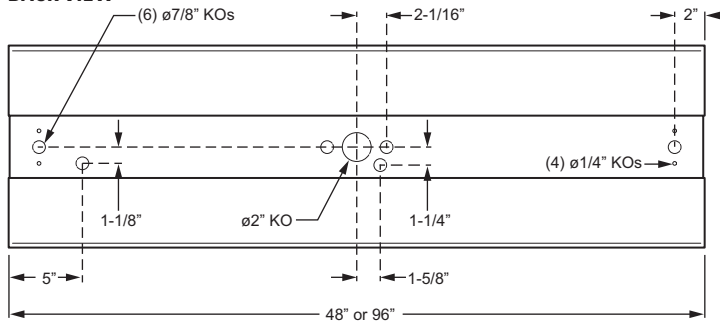
LUMEN SUMMARY

Zone	Lumens	% Lamp	% Fixture
0 - 30	2782.	23.6	24.5
0 - 40	4629.	39.2	40.7
0 - 60	8728.	74.0	76.8
0 - 90	11368.	96.3	100.0
Total Luminaire:			
0 - 180	11368.	96.3	100.0

Total Luminaire Optical Efficiency: **96.3%**
 IES Spacing Criteria: Across = 1.4
 Along = 1.3

FIXTURE DETAILS

BACK VIEW



Note: 8' fixture uses (2) 4' reflectors