

SUBMITTAL:

T5 | T8

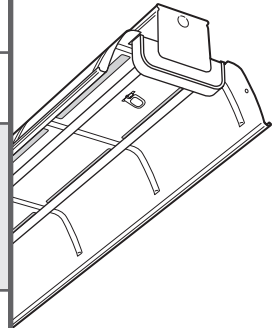
JOB:

TYPE:

VOLTAGE:

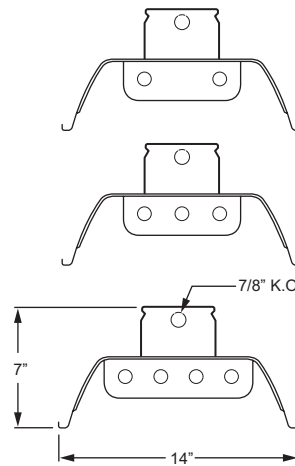
EXAMPLE **82 - 4 - 2 54T5H - OPTIONS - EB2 - UNV**

SERIES NOMINAL LENGTH TOTAL LAMPS WATTAGE/TYPE OPTIONS/ACCESSORIES BALLAST TYPE VOLTAGE



FEATURES

- ▶ Up to **95.5% optical efficiency**.
- ▶ Heavy-duty ribbed reflector with uplight component—illuminates the ceiling for increased efficiency.
- ▶ Spring-loaded, turret style sockets enclosed in heavy-duty steel housing.
- ▶ Hinging/locking lamp bracket reduces installation time.
- ▶ Two heavy-duty, spring-loaded quarter-turn fasteners secure reflector to housing.
- ▶ Channel connector furnished for continuous row of 8' units.
- ▶ Ballast(s) secured by two captive bolts and nuts to ensure a tight, reliable fit for maximum heat dissipation.
- ▶ This fixture is proudly made in the USA.



SPECIFICATIONS

Housing – 20-gauge die-formed, ribbed C.R.S.
Reflector – 22-gauge die-formed, ribbed C.R.S. 10% typical uplight component with 92% minimum average reflective white polyester powder coated finish.
Finish – 92% minimum average reflective white polyester powder coat bonded to phosphate-free, multi-stage pretreated metal. All parts painted after fabrication to facilitate installation, increase efficiency, and inhibit corrosion.
Electrical – Electronic ballast standard, instant start T8, program start T5, rated Class P.
Mounting – Surface or suspended (see options in ordering information).
Labels – UL/CUL listed as fluorescent luminaire suitable for dry or damp locations.

ORDERING INFORMATION

SERIES	82 Premium Turret Industrial
NOMINAL LENGTH	4 4' 8 8'
TOTAL LAMPS	2, 3, 4, 6, or 8 (2-, 3-, or 4-lamp cross-section)
LAMP WATTAGE/TYPE	28T5S 4', 28-watt T5 (2-lamp ballast only) 32 4', 32-watt T8 54T5H 4', 54-watt T5HO 59 8', 59-watt T8 (2-lamp ballast only) 86 8', 86-watt T8 (2-lamp ballast only)
OPTIONS/ACCESSORIES	For generic EM ballast options (must specify voltage), see Fluorescent Information section. Wireguard accessory available, ordered separately, see Fluorescent Information section. See back for mounting and accessory details. CT Closed top reflector RA-82 Reflector row aligner (1 pair) ML-4 48" metal louver (T5 and T5HO only) ML-5 50" metal louver (T8 only)

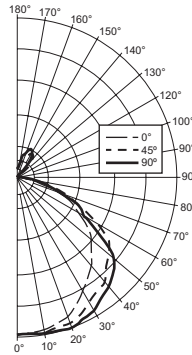
OPTIONS/ACCESSORIES (Continued)	M4-A12125 48" metal frame with pattern #12 lens (T5 and T5HO only) M5-A12125 50" metal frame with pattern #12 lens (T8 only) EP-82 Reflector end plate (1 pair) MSA Myers sway adapter T2 Tong hanger 325 1-1/2" ceiling spacer GAT GAT fastener (T-bar clip) VBY (2) Y-hangers VBY-2 (2) Y-hangers and (2) 2' chains
BALLAST TYPE	EB2 2-lamp electronic ballast EB3 3-lamp electronic ballast EB4 4-lamp electronic ballast EB2/2 (2) 2-lamp electronic ballasts EB3/3 (2) 3-lamp electronic ballasts EB4/2 (1) 4-lamp and (1) 2-lamp electronic ballast EB4/4 (2) 4-lamp electronic ballasts EB2/2/2 (3) 2-lamp electronic ballasts
VOLTAGE	120 120V 347 347V 277 277V 480 480V (T5HO only) UNV 120-277V

PHOTOMETRY

Catalog #: 82-4-254T5H-EB2

TEST REPORT INFORMATION

- ▶ Test Report #: 15226.0
- ▶ Date: 02/08/10
- ▶ Lamp Type: FP54T5H0/835
- ▶ Lamp Quantity: 2



CANDLEPOWER DISTRIBUTION

Vertical Angle	Horizontal Angle			Zonal Lumens
	0°	45°	90°	
0°	2673.	2673.	2673.	
5°	2649.	2657.	2664.	253.6
15°	2567.	2630.	2691.	745.4
25°	2396.	2564.	2655.	1176.5
35°	2093.	2367.	2497.	1468.7
45°	1763.	2138.	2308.	1627.0
55°	1442.	1890.	1685.	1567.4
65°	990.	1154.	1156.	1139.0
75°	501.	578.	316.	520.4
85°	109.	134.	93.	139.4
90°	19.	48.	30.	
95°	5.	32.	21.	30.8
105°	14.	33.	131.	64.1
115°	35.	21.	27.	53.4
125°	63.	117.	30.	109.1
135°	77.	326.	148.	178.0
145°	105.	463.	436.	232.0
155°	121.	392.	512.	162.6
165°	143.	265.	372.	72.9
175°	136.	140.	146.	13.4
180°	127.	127.	127.	

LUMEN SUMMARY

Zone	Lumens	% Lamp	% Fixture
0 - 30	2176.	21.8	22.8
0 - 40	3644.	36.4	38.1
0 - 60	6839.	68.4	71.6
0 - 90	8638.	86.4	90.4
90 - 120	148.	1.5	1.6
90 - 130	257.	2.6	2.7
90 - 150	667.	6.7	7.0
90 - 180	916.	9.2	9.6
Total Luminaire:			
0 - 180	9554.	95.5	100.0

Total Luminaire Optical Efficiency: **95.5%**
IES Spacing Criteria: End = 1.2, Diagonal = 1.4, Across = 1.4

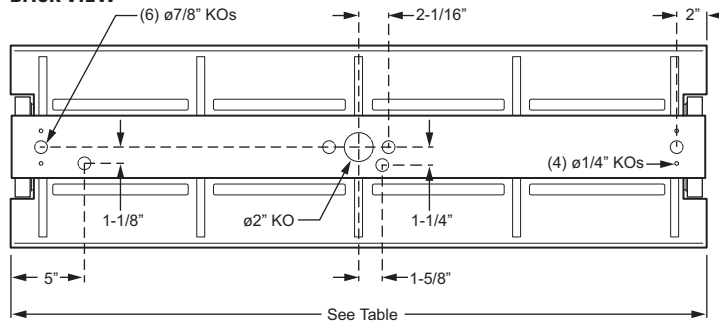
ZONAL CAVITY COEFFICIENTS

Room Cavity Ratio	Ceiling			Wall			Floor		
	.80	.70	.50	.30	.80	.70	.50	.30	.10
0	1.12	1.12	1.12	1.08	1.08	1.08	1.01	1.01	1.01
1	1.03	.98	.94	.99	.95	.92	.90	.87	.84
2	.94	.86	.80	.90	.84	.78	.79	.74	.70
3	.86	.76	.69	.83	.74	.67	.70	.64	.60
4	.78	.67	.59	.76	.66	.58	.62	.56	.51
5	.71	.59	.51	.69	.58	.50	.55	.48	.43
6	.65	.53	.44	.63	.51	.44	.49	.42	.37
7	.60	.47	.39	.58	.46	.38	.44	.37	.32
8	.55	.42	.34	.53	.41	.33	.39	.32	.27
9	.51	.38	.30	.49	.37	.29	.35	.28	.23
10	.47	.34	.27	.45	.33	.26	.32	.25	.21

Effective Floor Cavity Reflectance = .20

FIXTURE DETAILS

BACK VIEW



Nominal Size	Unit Length
4' T5	48"
4' T8	49-7/8"
8' T5	96"
8' T8	99-7/8"

Note: 8' fixture uses (2) 4' reflectors

MOUNTING OPTIONS

MSA	325	GAT	T-2	VBV or VBV-2

ACCESSORIES

ML-4 or ML-5	M4-A12125 or M5-A12125	EP-82	RA-82

