

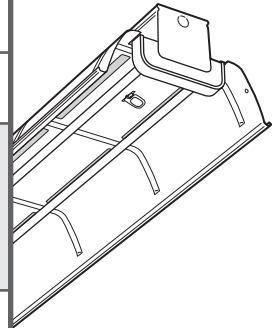
SUBMITTAL:

T5 | T8

JOB:

TYPE:

VOLTAGE:



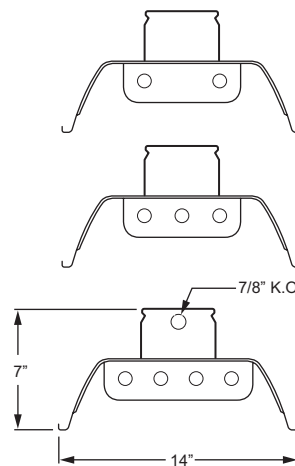
EXAMPLE **83 - 4 - 2 32 - OPTIONS - EB2 - UNV**

SERIES NOMINAL LENGTH TOTAL WATTAGE/LAMPS TYPE OPTIONS/ACCESSORIES BALLAST TYPE VOLTAGE



FEATURES

- ▶ Up to **90.0% optical efficiency**.
- ▶ White porcelain reflector for maximum durability.
- ▶ Heavy-duty ribbed reflector with upright component—illuminates the ceiling for increased efficiency.
- ▶ Spring-loaded, turret style sockets enclosed in heavy-duty steel housing.
- ▶ Hinging/locking lamp bracket reduces installation time.
- ▶ Two heavy-duty, spring-loaded quarter-turn fasteners secure reflector to housing.
- ▶ Channel connector furnished for continuous row of 8' units.
- ▶ Ballast(s) secured by two captive bolts and nuts to ensure a tight, reliable fit for maximum heat dissipation.
- ▶ This fixture is proudly made in the USA.



SPECIFICATIONS

Housing – 20-gauge die-formed, ribbed C.R.S.
Reflector – 22-gauge die-formed, ribbed C.R.S. with porcelain finish, 10% typical upright component with 92% minimum average reflective white polyester powder coated finish.
Finish – 92% minimum average reflective white polyester powder coat bonded to phosphate-free, multi-stage pretreated metal. All parts painted after fabrication to facilitate installation, increase efficiency, and inhibit corrosion.
Electrical – Electronic ballast standard, instant start T8, program start T5, rated Class P.
Mounting – Surface or suspended.
Labels – UL/CUL listed as fluorescent luminaire suitable for dry or damp locations.

ORDERING INFORMATION

SERIES	
83	Premium Turret Industrial—Porcelain
NOMINAL LENGTH	
4	4'
8	8'
TOTAL LAMPS	
2, 3, 4, 6, or 8 (2-, 3-, or 4-lamp cross-section)	
LAMP WATTAGE/TYPE	
28T5S	4', 28-watt T5 (2-lamp ballast only)
32	4', 32-watt T8
54T5H	4', 54-watt T5HO
59	8', 59-watt T8 (2-lamp ballast only)
86	8', 86-watt T8 (2-lamp ballast only)
OPTIONS/ACCESSORIES	
For generic EM ballast options (must specify voltage), see Fluorescent Information section.	
Wireguard accessory available, ordered separately, see Fluorescent Information section.	
See back for mounting and accessory details.	
RA-82	Reflector row aligner (1 pair)
ML-4	48" metal louver (T5 and T5HO only)
ML-5	50" metal louver (T8 only)

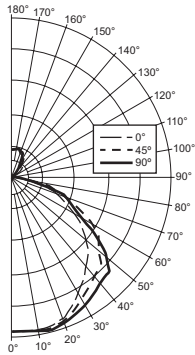
OPTIONS/ACCESSORIES (Continued)			
M4-A12125	48" metal frame with pattern #12 lens (T5 and T5HO only)		
M5-A12125	50" metal frame with pattern #12 lens (T8 only)		
EP-82	Reflector end plate (1 pair)		
MSA	Myers sway adapter		
T2	Tong hanger		
325	1-1/2" ceiling spacer		
GAT	GAT fastener (T-bar clip)		
VBY	(2) Y-hangers		
VBY-2	(2) Y-hangers and (2) 2' chains		
BALLAST TYPE			
EB2	2-lamp electronic ballast		
EB3	3-lamp electronic ballast		
EB4	4-lamp electronic ballast		
EB2/2	(2) 2-lamp electronic ballasts		
EB3/3	(2) 3-lamp electronic ballasts		
EB4/2	(1) 4-lamp and (1) 2-lamp electronic ballast		
EB4/4	(2) 4-lamp electronic ballasts		
EB2/2/2	(3) 2-lamp electronic ballasts		
VOLTAGE			
120	120V	347	347V
277	277V	480	480V (T5HO only)
UNV	120-277V		

PHOTOMETRY

Catalog #: **83-4-232-EB2**

TEST REPORT INFORMATION

- ▶ Test Report #: 8605.0
- ▶ Date: 12/28/95
- ▶ Lamp Type: F32T8/SPX35/RS
- ▶ Lamp Quantity: 2



LUMEN SUMMARY

Zone	Lumens	% Lamp	% Fixture
0 - 30	1216.	20.6	22.9
0 - 40	2023.	34.3	38.1
0 - 60	3776.	64.0	71.1
0 - 90	4784.	81.1	90.0
90 - 120	74.	1.3	1.4
90 - 130	121.	2.1	2.3
90 - 150	317.	5.4	6.0
90 - 180	529.	9.0	10.0
Total Luminaire:			
0 - 180	5313.	90.0	100.0

Total Luminaire Optical Efficiency: **90.0%**
IES Spacing Criteria: End = 1.3, Across = 1.4

CANDLEPOWER DISTRIBUTION

Vertical Angle	Horizontal Angle			Zonal Lumens
	0°	45°	90°	
0°	1483.	1483.	1483.	
5°	1483.	1483.	1486.	141.6
15°	1476.	1497.	1514.	424.2
25°	1362.	1404.	1448.	650.3
35°	1193.	1281.	1367.	806.8
45°	1028.	1195.	1300.	912.3
55°	791.	1000.	958.	840.5
65°	544.	656.	619.	620.5
75°	279.	375.	175.	313.4
85°	59.	70.	54.	74.1
90°	0.	17.	8.	
95°	3.	17.	10.	15.4
105°	26.	29.	50.	34.1
115°	66.	10.	15.	24.9
125°	110.	26.	14.	46.9
135°	152.	98.	33.	79.7
145°	203.	201.	133.	116.2
155°	233.	259.	238.	112.2
165°	257.	263.	274.	74.9
175°	256.	259.	261.	24.7
180°	252.	252.	252.	

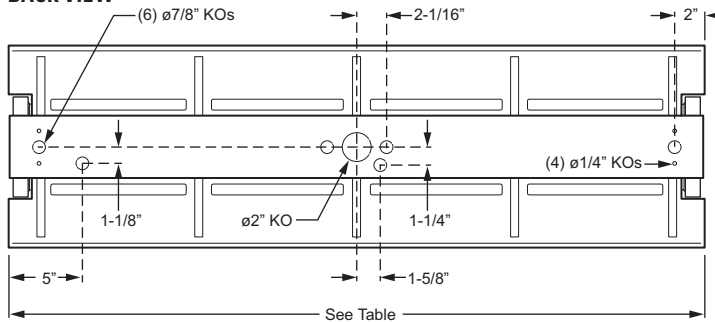
ZONAL CAVITY COEFFICIENTS

Room Cavity Ratio	Ceiling			Wall			Floor		
	.80	.70	.50	.80	.70	.50	.30	.20	.10
0	1.05	1.05	1.05	1.02	1.02	1.02	.95	.95	.95
1	.97	.93	.89	.93	.90	.86	.84	.82	.79
2	.88	.81	.75	.85	.79	.74	.74	.70	.66
3	.81	.72	.65	.78	.70	.63	.66	.60	.56
4	.74	.64	.56	.71	.62	.55	.58	.52	.48
5	.67	.56	.48	.65	.54	.47	.51	.45	.40
6	.62	.50	.42	.59	.49	.41	.46	.40	.35
7	.57	.45	.37	.55	.43	.36	.41	.35	.30
8	.52	.40	.32	.50	.39	.32	.37	.30	.26
9	.48	.36	.28	.46	.35	.28	.33	.27	.22
10	.44	.32	.25	.43	.32	.25	.30	.24	.20

Effective Floor Cavity Reflectance = .20

FIXTURE DETAILS

BACK VIEW



Nominal Size	Unit Length
4' T5	48"
4' T8	49-7/8"
8' T5	96"
8' T8	99-7/8"

Note: 8' fixture uses (2) 4' reflectors

MOUNTING OPTIONS

MSA	325	GAT	T-2	VBV or VBY-2

ACCESSORIES

ML-4 or ML-5	M4-A12125 or M5-A12125	EP-82	RA-82

