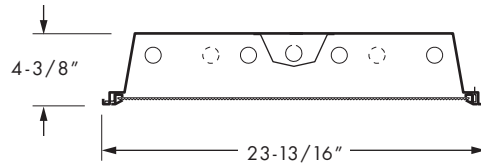
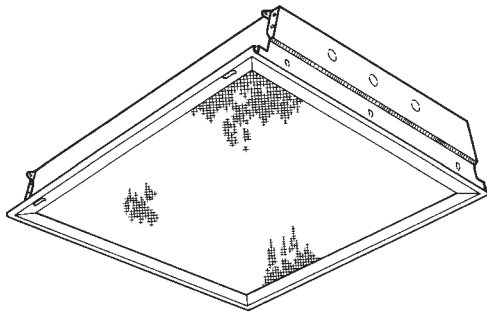


2' x 2' STATIC TROFFER

SERIES **50**
STATIC

VOLTAGE TYPE JOB _____



SPECIFICATIONS

- HOUSING – 22-gauge die-formed C.R.S.
- DOOR FRAME – 20-gauge C.R.S. or .050" extruded aluminum, flat or regress, with mitered corners.
- SHIELDING – #12 pattern, .125" acrylic overlay standard—other patterns and thicknesses available.
- FINISH – 92% minimum average reflective white powder coat with multi-stage iron/phosphate prepared metal.
- ELECTRICAL – Electronic ballast standard, either instant start or programmed start, rated Class P.
- LABELS – UL/CUL listed as recessed fluorescent luminaire suitable for dry or damp locations.
- MOUNTING – NEMA Type "G" standard. NEMA Type "F" available.

FEATURES

- Fully-enclosed spring-loaded cam latches allow years of hassle-free maintenance.
- T-slot steel hinge ensures positive retention when door is opened.
- 4-3/8" deep housing eliminates lens shadowing.
- Deep reinforcement ribs provide added strength.
- Rolled-edge channel adds superior strength.
- Optional anti-microbial powder coating available to prevent the spread of dangerous micro-organisms and suppress the growth of mold and bacteria.
- Integral T-bar clips quickly secure fixture to structure.
- Field convertible to NEMA Type "F".
- Fully gasketed door minimizes contaminants.
- All parts painted after fabrication to facilitate installation, increase efficiency, and inhibit corrosion.
- This fixture is proudly made in the USA.

ORDERING INFORMATION

Submittal

EXAMPLE: **50** **G** - **S** **2** **2** - **2** **32U** - **S** **A12125** - **OPTIONS** - **EB2** - **120**

SERIES	50 Static Troffer (No air handling)
CEILING TYPE	G NEMA Type "G" F NEMA Type "F" (field convertible)
FIXTURE STYLE	S Full door frame, no reveal
NOMINAL WIDTH	2 2'
NOMINAL LENGTH	2 2'
TOTAL LAMPS	2, 3, or 4
LAMP WATTAGE/TYPE	14T5S 2', 14-watt T5 17 2', 17-watt T8

LAMP WATTAGE/TYPE cont'd.	24T5H 2', 24-watt T5HO 31UN 2', U-bent, 31-watt T8, 1-5/8" leg spacing 32U 2', U-bent, 32-watt T8, 6" leg spacing 40TT 2', 40-watt long twin tube
DOOR FRAME TYPE	S White Flat steel F White Flat aluminum R White Regress aluminum SB Black flat steel FB Black Flat aluminum RB Black Regress aluminum
SHIELDING	A12125 #12 pattern acrylic, .125" thick A19156 #19 pattern acrylic, .156" thick PC15S Nominal 1/2"x1/2"x1/2" silver polystyrene PC25S Nominal 1-1/2"x1-1/2"x1" silver polystyrene

OPTIONS	F338 6', 3/8" flex, 3 conductor, No. 18 AWG AMW Anti-microbial White finish
BALLAST TYPE	EB2 2-lamp electronic ballast EB3 3-lamp electronic ballast EB4 4-lamp electronic ballast EB2/2 (2) 2-lamp electronic ballasts
VOLTAGE	120 120V 277 277V UNV 120 - 277V 347 347V

Note: For more options/accessories, ballast combinations, and product details, please consult factory.



FLUORESCENT LIGHTING

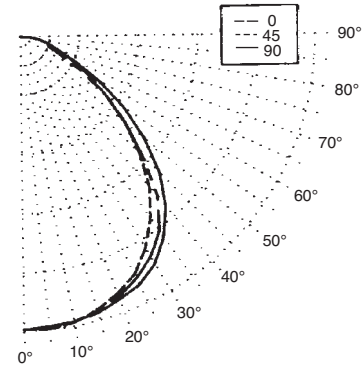
50

STATIC

SERIES

PHOTOMETRY INFORMATIONWilliams Catalog #50G-S22-232U-SA12125-EB2-120
Test Report #8730.0, Dated 03/19/96Lamp Type: FB032/835/6
Lamp Quantity: 2**CANDLEPOWER DISTRIBUTION**

VERT. ANG.	HORIZONTAL ANGLE			ZONAL LUMENS
	0	45	90	
0	1921.	1921.	1921.	
5	1929.	1913.	1908.	182.9
15	1858.	1864.	1880.	529.4
25	1721.	1750.	1798.	812.0
35	1458.	1558.	1607.	971.3
45	1087.	1117.	1272.	886.6
55	674.	672.	815.	635.1
65	367.	285.	391.	319.9
75	194.	182.	192.	197.6
85	77.	86.	79.	89.7
90	0.	0.	0.	

**LUMEN SUMMARY**

ZONE	LUMENS	% LAMP	% FIXTURE
0 - 30	1524.	26.7	33.0
0 - 40	2496.	43.8	54.0
0 - 60	4017.	70.5	86.9
0 - 90	4624.	81.1	100.0
90 - 120	0.	0.	0.
90 - 130	0.	0.	0.
90 - 150	0.	0.	0.
90 - 180	0.	0.	0.
Total Luminaire			
0-180	4624.	81.1	100.0

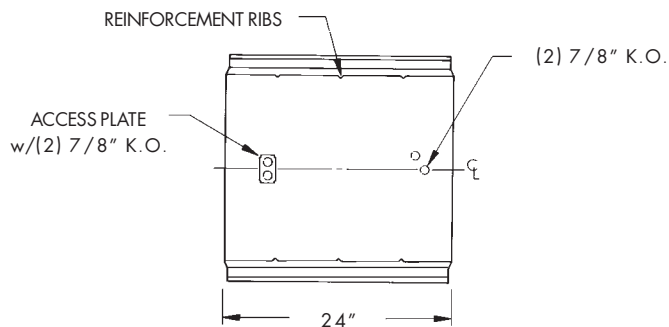
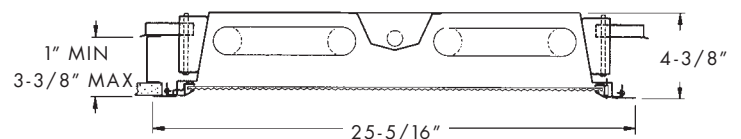
TOTAL LUMINAIREOPTICAL **EFFICIENCY = 81.1 %**

SPACING CRITERIA: ACROSS= 1.3 ALONG= 1.2

ZONAL CAVITY COEFFICIENTS

EFFECTIVE FLOOR CAVITY REFL. = .20

CEILING WALL RCR	.80			.70			.50		
	.70	.50	.30	.70	.50	.30	.50	.30	.10
0	.97	.97	.97	.94	.94	.94	.90	.90	.90
1	.90	.86	.83	.88	.85	.82	.81	.79	.77
2	.83	.77	.73	.81	.76	.71	.73	.69	.66
3	.77	.69	.64	.75	.68	.63	.66	.61	.58
4	.71	.62	.56	.69	.61	.56	.59	.54	.50
5	.65	.56	.49	.64	.55	.49	.53	.48	.44
6	.60	.51	.44	.59	.50	.44	.48	.43	.39
7	.56	.46	.39	.55	.45	.39	.44	.38	.34
8	.52	.41	.35	.50	.41	.34	.39	.34	.30
9	.47	.37	.30	.46	.36	.30	.35	.30	.26
10	.44	.37	.27	.43	.33	.27	.32	.27	.23

BACK VIEW**CROSS SECTION NEMA TYPE "F" INSTALLATION****MAXIMUM RECOMMENDED CEILING OPENING IS 24-3/8" X 24-3/8"**

H. E. WILLIAMS, INC.

H. E. Williams, Inc. • Carthage, Missouri • www.hewilliams.com • 417-358-4065 • Fax: 417-358-6015

Information contained herein is subject to change without notice.

HEWJP43203 08/17/09JJ