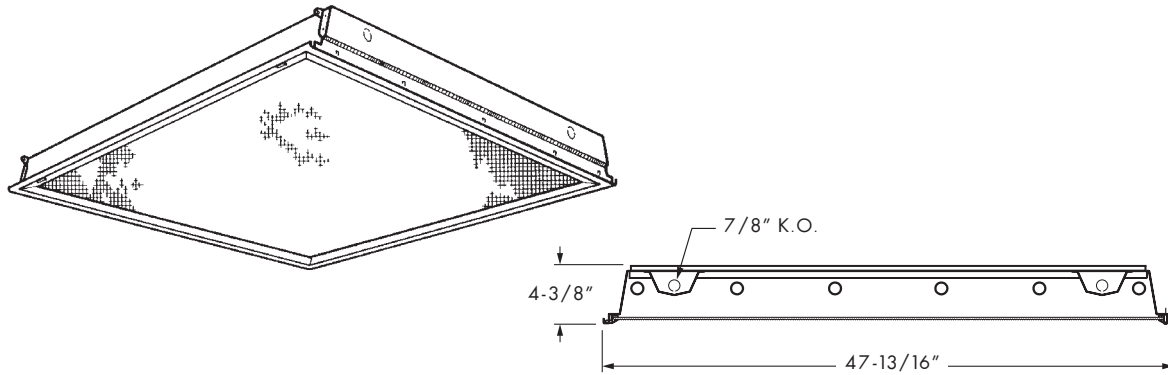


4' x 4' STATIC TROFFER

SERIES **50**
STATIC



VOLTAGE TYPE JOB _____

SPECIFICATIONS

- **Housing** – 22-gauge die-formed C.R.S.
- **Door Frame** – .050" extruded aluminum, flat or regress, with mitered corners. T-slot steel hinge allows reversible hinging and latching.
- **Shielding** – #12 pattern, .187" acrylic overlay standard—other patterns and thicknesses available.
- **Finish** – 92% minimum average reflective white powder coat with multi-stage iron/phosphate prepared metal.
- **Electrical** – Electronic ballast standard, instant start T8, programmed start T5, rated Class P.
- **Labels** – UL/CUL listed as recessed fluorescent luminaire suitable for dry or damp locations.
- **Mounting** – NEMA Type "G" standard. NEMA Type "F" available.

FEATURES

- Fully-enclosed spring-loaded cam latches allow years of hassle-free maintenance.
- T-slot steel hinge ensures positive retention when door is opened.
- 4-3/8" deep housing eliminates lens shadowing.
- Deep reinforcement ribs provide added strength.
- Rolled-edge channel adds superior strength.
- Optional anti-microbial powder coating available to prevent the spread of dangerous micro-organisms and suppress the growth of mold and bacteria.
- Field convertible to NEMA Type "F".
- Fully gasketed door minimizes contaminants.
- All parts painted after fabrication to facilitate installation, increase efficiency, and inhibit corrosion.
- This fixture is proudly made in the USA.

ORDERING INFORMATION

Submittal

EXAMPLE:

50	G	S	4	4	6	32	R	A12187	OPTIONS	EB3/3	120
----	---	---	---	---	---	----	---	--------	---------	-------	-----

SERIES	50	Static Troffer (No air handling)
CEILING TYPE	G	NEMA Type "G"
	F	NEMA Type "F" (field convertible)
FIXTURE STYLE	S	Full door frame, no reveal
NOMINAL WIDTH	4	4'
NOMINAL LENGTH	4	4'

TOTAL LAMPS	4, 6, or 8
LAMP WATTAGE/TYPE	28T5S 4', 28-watt T5
	32 4', 32-watt T8
	54T5H 4', 54-watt T5HO
DOOR FRAME TYPE	F White Flat aluminum
	R White Regress aluminum
	FB Black flat aluminum
	RB Black Regress aluminum
SHIELDING	A12187 #12 pattern acrylic, .187" thick
	A19187 #19 pattern acrylic, .187" thick

OPTIONS	F338 6', 3/8" flex, 3 conductor, No. 18 AWG
	AMW Anti-microbial white finish
BALLAST TYPE	EB4 4-lamp electronic ballast
	EB3/3 (2) 3-lamp electronic ballasts
	EB4/2 (1) 4-lamp & (1) 2-lamp electronic ballast
	EB4/4 (2) 4-lamp electronic ballasts
VOLTAGE	120 120V
	277 277V
	UNV 120 - 277V
	347 347V

Note: For more options/accessories, ballast combinations, and product details, please consult factory.



FLUORESCENT LIGHTING

50

STATIC

SERIES

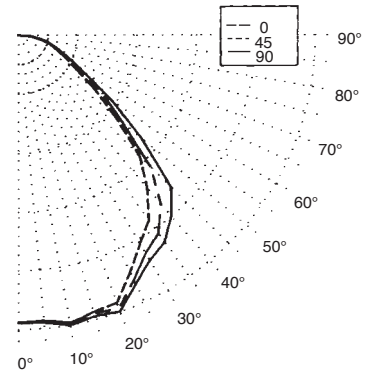
PHOTOMETRY INFORMATION

Williams Catalog #50G-S44-632-RA12187-EB3/3
 Test Report #8649.0, Dated 02/21/96

Lamp Type: F32T8/SPX35/RS
 Lamp Quantity: 6

CANDLEPOWER DISTRIBUTION

VERT. ANG.	HORIZONTAL ANGLE			ZONAL LUMENS
	0	45	90	
0	6206.	6206.	6206.	
5	6213.	6179.	6213.	591.7
15	6179.	6213.	6274.	1764.6
25	5644.	5825.	5929.	2693.8
35	4860.	5214.	5446.	3260.3
45	3671.	3998.	4619.	3174.8
55	1947.	2197.	2430.	1998.3
65	1111.	1085.	1223.	1101.8
75	698.	689.	715.	738.0
85	284.	249.	293.	292.0
90	0.	0.	0.	



LUMEN SUMMARY

ZONE	LUMENS	% LAMP	% FIXTURE
0 - 30	5050.	28.5	32.3
0 - 40	8310.	47.0	53.2
0 - 60	13484.	76.2	86.3
0 - 90	15615.	88.2	100.0
90 - 120	0.	0.	0.
90 - 130	0.	0.	0.
90 - 150	0.	0.	0.
90 - 180	0.	0.	0.
Total Luminaire			
0-180	15615.	88.2	100.0

ZONAL CAVITY COEFFICIENTS

EFFECTIVE FLOOR CAVITY REFL. = .20

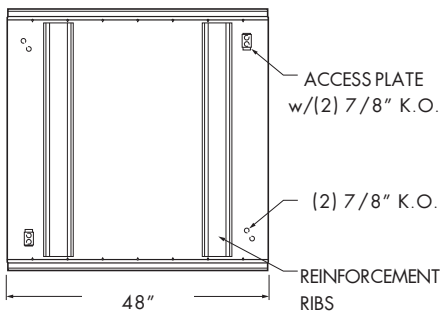
WALL RCR	CEILING .80			.70			.50		
	.70	.50	.30	.70	.50	.30	.50	.30	.10
0	105	105	105	103	103	103	98	98	98
1	97	94	91	95	92	89	88	86	84
2	90	84	79	88	82	78	79	75	72
3	83	75	69	81	74	68	71	67	62
4	77	68	61	75	67	60	64	59	55
5	71	61	53	69	60	53	58	52	47
6	66	55	48	64	54	47	52	46	42
7	61	49	42	59	49	42	47	41	37
8	56	44	37	54	44	37	43	36	32
9	51	40	33	50	39	33	38	32	28
10	48	36	29	47	36	29	35	29	25

TOTAL LUMINAIRE

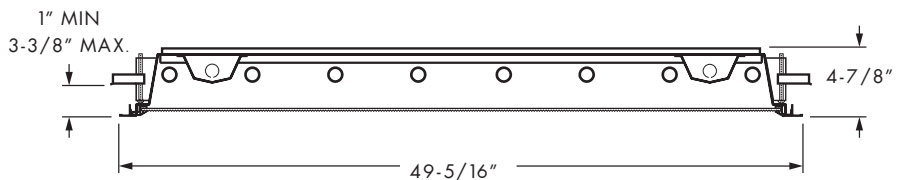
OPTICAL EFFICIENCY = 88.2 %

SPACING CRITERIA: ACROSS= 1.4 ALONG= 1.2

BACK VIEW



CROSS SECTION
 NEMA TYPE "F"
 INSTALLATION



MAXIMUM RECOMMENDED CEILING OPENING IS 48-3/8" X 48-3/8"



H.E. WILLIAMS, INC.

H.E. Williams, Inc. • Carthage, Missouri • www.hewilliams.com • 417-358-4065 • Fax: 417-358-6015

Information contained herein is subject to change without notice.

HEWJP43205 09/07/11RJ