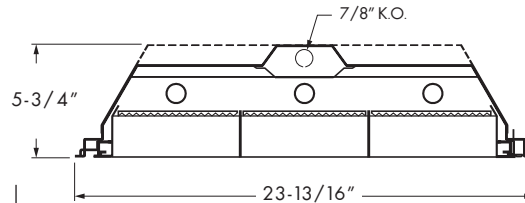
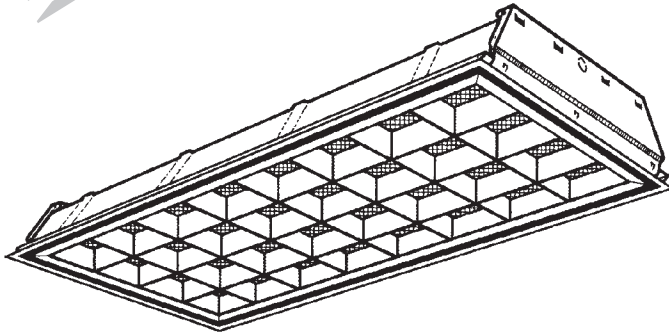


2, 3, OR 4 LAMP 2' X 4' BLADE TROFFER

SERIES **BL**
VOLTAGE TYPE JOB

the **BLADE**®



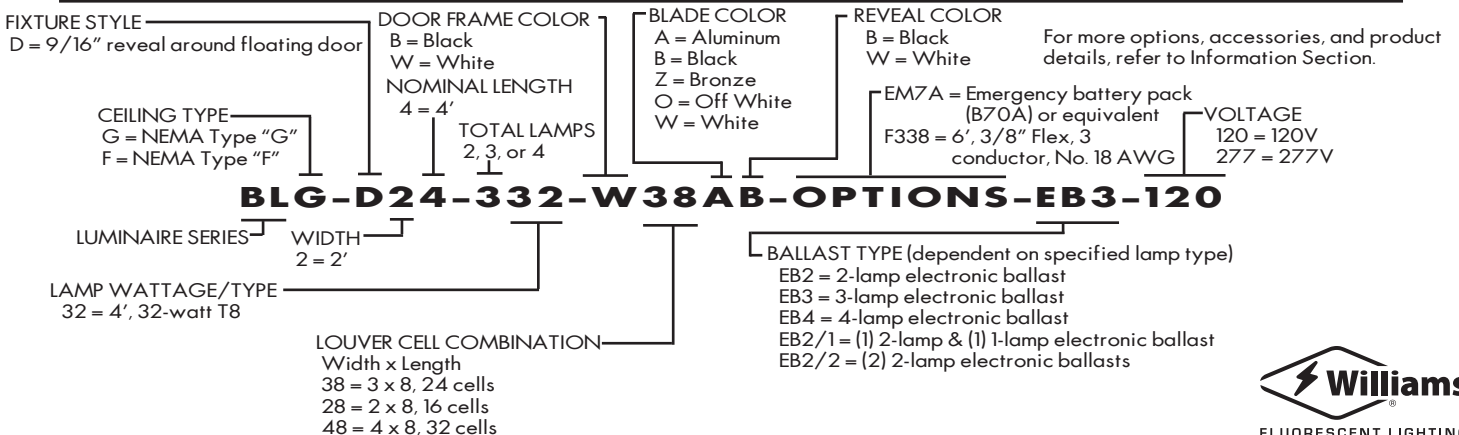
SPECIFICATIONS

- **Housing** – 22-gauge die-formed C.R.S.
- **Door Frame** – .050" extruded aluminum, flat with mitered corners. T-slot steel hinge allows reversible hinging and latching. Fully enclosed spring-loaded cam latches.
- **Shielding** – The BLADE® louver with #12 pattern, .125" acrylic prismatic overlay.
- **Finish** – 92% minimum average reflective white powder coat with multi-stage iron/phosphate prepared metal.
- **Electrical** – Electronic ballast standard, either instant start or programmed start, rated Class P.
- **Labels** – UL/CUL listed as recessed fluorescent luminaire suitable for dry or damp locations.
- **Mounting** – NEMA Type "G" standard. NEMA Type "F" available. Field convertible to NEMA Type "F".

FEATURES

- Five standard louver colors provide personalized decorative appeal — custom colors also available.
- Patented BLADE® louvers with acrylic prismatic overlay provide architectural appearance and excellent lamp shielding.
- Full reveal presents floating door appearance.
- Fully-enclosed spring-loaded cam latches allow years of hassle-free maintenance.
- T-slot steel hinge allows for reversible hinging and latching.
- T-slot steel hinge ensures positive retention when door is opened.
- Field convertible to NEMA Type "F".
- 5-3/4" housing with raised ballast wireway for maximum heat dissipation and superior optical efficiency.
- Fully gasketed door minimizes contaminants.
- Ballast secured by two captive bolts and nuts to ensure a tight, reliable fit for maximum heat dissipation and minimal ballast noise.
- All parts painted after fabrication to facilitate installation, increase efficiency, and inhibit corrosion.

SUBMITTAL INFORMATION



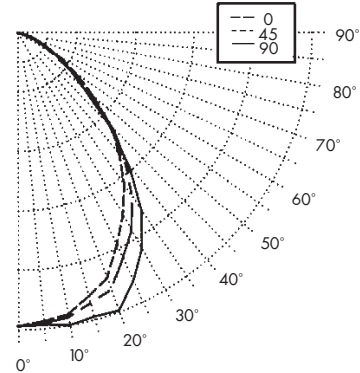
FLUORESCENT LIGHTING

Williams Catalog #BLG-D24-332-W38AB-EB3-120
Test Report #8113.0, Dated 12/08/94

Lamp Type: F32T8/735/RS
Lamp Quantity: 3

CANDLEPOWER DISTRIBUTION

VERT. ANG.	HORIZONTAL ANGLE			ZONAL LUMENS
	0	45	90	
0	2461.	2461.	2461.	
5	2429.	2444.	2455.	233.3
15	2288.	2347.	2464.	668.3
25	1969.	2090.	2299.	975.5
35	1568.	1685.	1827.	1058.6
45	1136.	1145.	1096.	867.0
55	614.	544.	541.	499.4
65	276.	213.	270.	242.4
75	98.	72.	117.	94.8
85	24.	18.	25.	23.3
90	1.	1.	1.	



ZONAL CAVITY COEFFICIENTS
EFFECTIVE FLOOR CAVITY REFL. = .20

CEILING	.80			.70			.50		
	.70	.50	.30	.70	.50	.30	.50	.30	.10
0	.65	.65	.65	.63	.63	.63	.61	.61	.61
1	.61	.59	.57	.60	.58	.56	.56	.54	.53
2	.57	.54	.51	.56	.53	.50	.51	.49	.47
3	.53	.49	.45	.52	.48	.45	.46	.44	.41
4	.49	.44	.40	.48	.44	.40	.42	.39	.37
5	.46	.40	.36	.45	.39	.36	.38	.35	.32
6	.43	.37	.32	.42	.36	.32	.35	.32	.29
7	.40	.33	.29	.39	.33	.29	.32	.29	.26
8	.37	.30	.26	.36	.30	.26	.29	.25	.23
9	.34	.27	.23	.33	.27	.23	.26	.23	.20
10	.32	.25	.21	.31	.25	.21	.24	.21	.18

LUMEN SUMMARY

ZONE	LUMENS	% LAMP	% FIXTURE
0 - 30	1877.	22.0	40.3
0 - 40	2936.	34.3	63.0
0 - 60	4302.	50.3	92.3
0 - 90	4663.	54.5	100.0
90 - 120	0.	0.	0.
90 - 130	0.	0.	0.
90 - 150	0.	0.	0.
90 - 180	0.	0.	0.
Total Luminaire			
0-180	4663.	54.5	100.0

TOTAL LUMINAIRE OPTICAL EFFICIENCY = 54.5 %
SPACING CRITERIA: ACROSS= 1.2 ALONG= 1.1

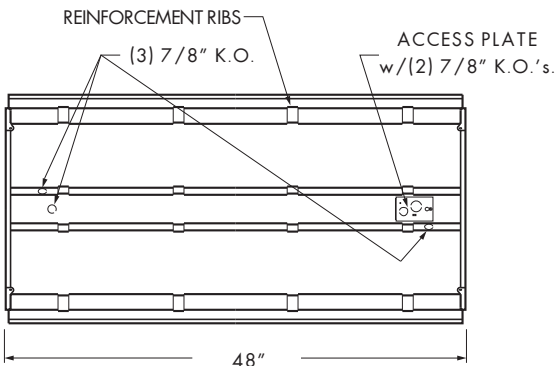
MULTIPLIERS FOR CU TABLE

Approximate CU values can be calculated for luminaires and Blade® colors by using the multipliers from the table below.

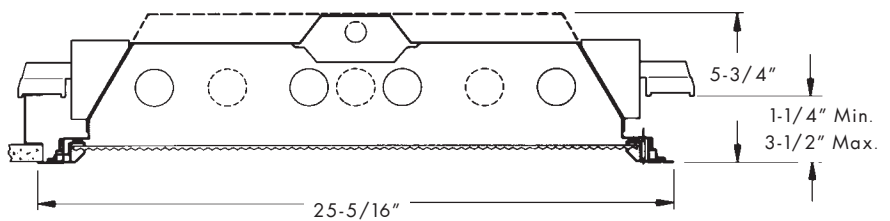
CATALOG NO.	BLADE® COLOR				
	White (W)	Off-White (o)	Alum. (A)	Bronze (Z)	Black (B)
BLG-D24-232-W28_B	1.40	1.37	1.11	0.87	0.82
BLG-D24-332-W38_B	1.27	1.24	1.00	0.78	0.74
BLG-D24-432-W48_B	1.19	1.04	0.84	0.66	0.61

Select required catalog number at left, read across to The BLADE® color desired to find multiplier for CU table.

BACK VIEW



CROSS SECTION
NEMA TYPE "F"
INSTALLATION



MAXIMUM RECOMMENDED CEILING OPENING IS 24-3/8" X 48-3/8"
For continuous row mounting, add 49-5/16" for each additional fixture to obtain ceiling opening. 1-5/16" between end plates.



H. E. WILLIAMS, INC.