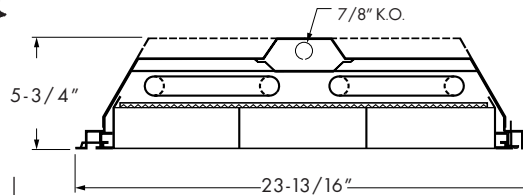
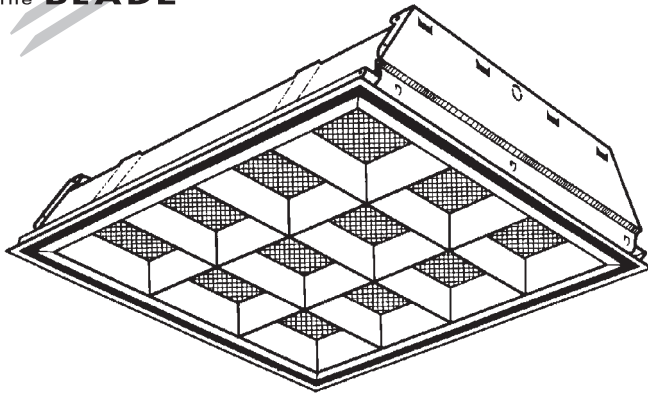


# 2, 3, or 4 LAMP 2' X 2' BLADE TROFFER

SERIES **BL**  
 VOLTAGE TYPE JOB \_\_\_\_\_  
 \_\_\_\_\_  
 \_\_\_\_\_

the **BLADE**®



## SPECIFICATIONS

- HOUSING – 22-gauge die-formed C.R.S.
- DOOR FRAME – .050" extruded aluminum, flat with mitered corners. T-slot steel hinge allows reversible hinging and latching. Fully enclosed spring-loaded cam latches.
- SHIELDING – The BLADE® louver with #12 pattern, .125" acrylic prismatic overlay.
- FINISH – 92% minimum average reflective white powder coat with multi-stage iron/phosphate prepared metal.
- ELECTRICAL – Electronic ballast standard, either instant start or programmed start, rated Class P.
- LABELS – UL/CUL listed as recessed fluorescent luminaire suitable for dry or damp locations.
- MOUNTING – NEMA Type "G" standard. NEMA Type "F" available. Field convertible to NEMA Type "F".

## FEATURES

- Five standard louver colors provide personalized decorative appeal — custom colors also available.
- Patented BLADE® louvers with acrylic prismatic overlay provide architectural appeal and excellent lamp shielding.
- Full reveal presents floating door appearance.
- Fully-enclosed spring-loaded cam latches allow years of hassle-free maintenance.
- T-slot steel hinge allows for reversible hinging and latching.
- T-slot steel hinge assures positive retention when door is opened.
- Field convertible to NEMA Type "F".
- 5-3/4" housing with raised ballast wireway for maximum heat dissipation and superior optical efficiency.
- Fully gasketed door minimizes contaminants.
- Ballast secured by two captive bolts and nuts to ensure a tight, reliable fit for maximum heat dissipation and minimal ballast noise.
- All parts painted after fabrication to facilitate installation, increase efficiency, and inhibit corrosion.

## SUBMITTAL INFORMATION

<b>FIXTURE STYLE</b> D = 9/16" reveal around floating door	<b>DOOR FRAME COLOR</b> B = Black W = White	<b>BLADE COLOR</b> A = Aluminum B = Black Z = Bronze O = Off White W = White	<b>REVEAL COLOR</b> B = Black W = White	For more options, accessories, and product details, refer to Information Section.
<b>CEILING TYPE</b> G = NEMA Type "G" F = NEMA Type "F"	<b>NOMINAL LENGTH</b> 2 = 2'	<b>TOTAL LAMPS</b> 2, 3, or 4	<b>EM7A</b> = Emergency battery pack (B70A) or equivalent F338 = 6', 3/8" Flex, 3 conductor, No. 18 AWG	<b>VOLTAGE</b> 120 = 120V 277 = 277V
<b>BLG-D22-232U-W34AB-OPTIONS-EB2-120</b>				
<b>LUMINAIRE SERIES</b>	<b>WIDTH</b> 2 = 2'	<b>LAMP WATTAGE/TYPE</b> 17 = 2', 17-watt T8 31UN = 2', U-bent, 31-watt T8, 1 5/8" leg spacing 32U = 2', U-bent, 32-watt T8, 6" leg spacing 40TT = 2', long twin tube, 40-watt (4 maximum)	<b>LOUVER CELL COMBINATION</b> Width x Length 34 = 3 x 4, 12 cells 44 = 4 x 4, 16 cells	<b>BALLAST TYPE</b> (dependent on specified lamp type) EB2 = 2-lamp electronic ballast EB3 = 3-lamp electronic ballast EB4 = 4-lamp electronic ballast EB2/1 = (1) 2-lamp & (1) 1-lamp electronic ballast EB2/2 = (2) 2-lamp electronic ballasts EB4/2 = (1) 4-lamp & (1) 2-lamp electronic ballast



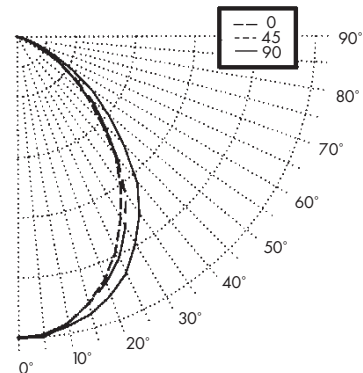
FLUORESCENT LIGHTING

Williams Catalog #BLG-D22-232U-W34AB-EB2-120  
 Test Report #8533.0, Dated 11/15/95

Lamp Type: FB032/835/6  
 Lamp Quantity: 2

**CANDLEPOWER DISTRIBUTION**

VERT. ANG.	HORIZONTAL ANGLE			ZONAL LUMENS
	0	45	90	
0	1855.	1855.	1855.	
5	1857.	1841.	1842.	175.9
15	1705.	1708.	1769.	487.1
25	1459.	1509.	1611.	701.6
35	1139.	1190.	1337.	764.2
45	754.	789.	951.	629.9
55	429.	443.	578.	420.4
65	182.	167.	249.	186.7
75	67.	54.	79.	66.6
85	18.	16.	18.	19.1
90	0.	0.	0.	



**ZONAL CAVITY COEFFICIENTS**  
 EFFECTIVE FLOOR CAVITY REFL. = .20

CEILING	.80			.70			.50		
WALL RCR	.70	.50	.30	.70	.50	.30	.50	.30	.10
0	.68	.68	.68	.67	.67	.67	.64	.64	.64
1	.64	.62	.60	.63	.61	.59	.59	.57	.56
2	.60	.56	.53	.59	.55	.53	.53	.51	.49
3	.56	.51	.48	.55	.50	.47	.49	.46	.43
4	.52	.46	.42	.51	.46	.42	.44	.41	.38
5	.48	.42	.38	.47	.41	.37	.40	.37	.34
6	.45	.38	.34	.44	.38	.34	.37	.33	.30
7	.42	.35	.30	.41	.34	.30	.33	.30	.27
8	.38	.31	.27	.38	.31	.27	.30	.27	.24
9	.36	.28	.24	.35	.28	.24	.27	.24	.21
10	.33	.26	.22	.32	.26	.22	.25	.21	.19

**LUMEN SUMMARY**

ZONE	LUMENS	% LAMP	% FIXTURE
0 - 30	1365.	22.7	39.5
0 - 40	2129.	35.5	61.7
0 - 60	3179.	53.0	92.1
0 - 90	3452.	57.5	100.0
90 - 120	0.	0.	0.
90 - 130	0.	0.	0.
90 - 150	0.	0.	0.
90 - 180	0.	0.	0.
Total Luminaire			
0-180	3452.	57.5	100.0

**TOTAL LUMINAIRE OPTICAL EFFICIENCY = 57.5 %**  
 SPACING CRITERIA: ACROSS= 1.2 ALONG= 1.1

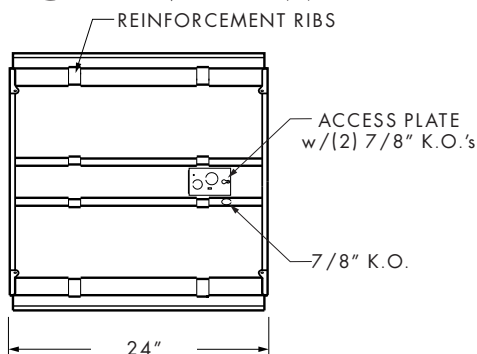
**MULTIPLIERS FOR CU TABLE**

Approximate CU values can be calculated for luminaires and Blade® colors by using the multipliers from the table below.

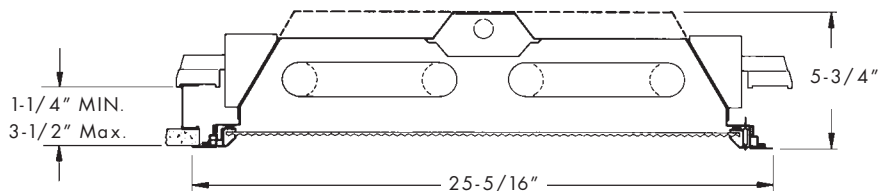
CATALOG NO.	BLADE® COLOR				
	White (W)	Off-White (O)	Alum. (A)	Bronze (Z)	Black (B)
BLG-D22-232U-W34_B	126	125	100	0.86	0.81
BLG-D22-232U-W44_B	123	121	0.93	0.79	0.74

Select required catalog number at left, read across to The BLADE® color desired to find multiplier for CU table.

**BACK VIEW**



**CROSS SECTION**  
 NEMA TYPE "F"  
 INSTALLATION



**MAXIMUM RECOMMENDED CEILING OPENING IS 24-3/8" X 24-3/8"**



H. E. WILLIAMS, INC.