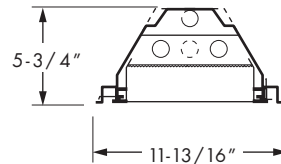
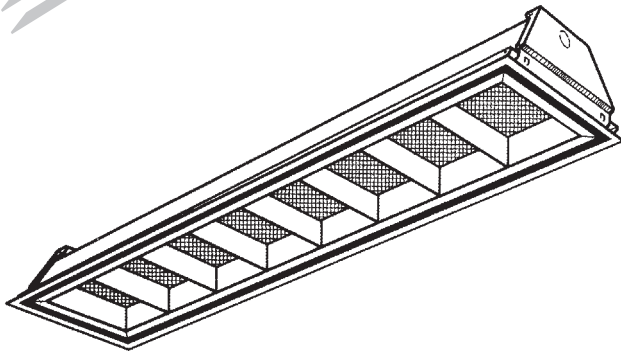


# 1' x 4' BLADE TROFFER

SERIES **BL**  
 VOLTAGE TYPE JOB \_\_\_\_\_  
 \_\_\_\_\_  
 \_\_\_\_\_

the **BLADE**®



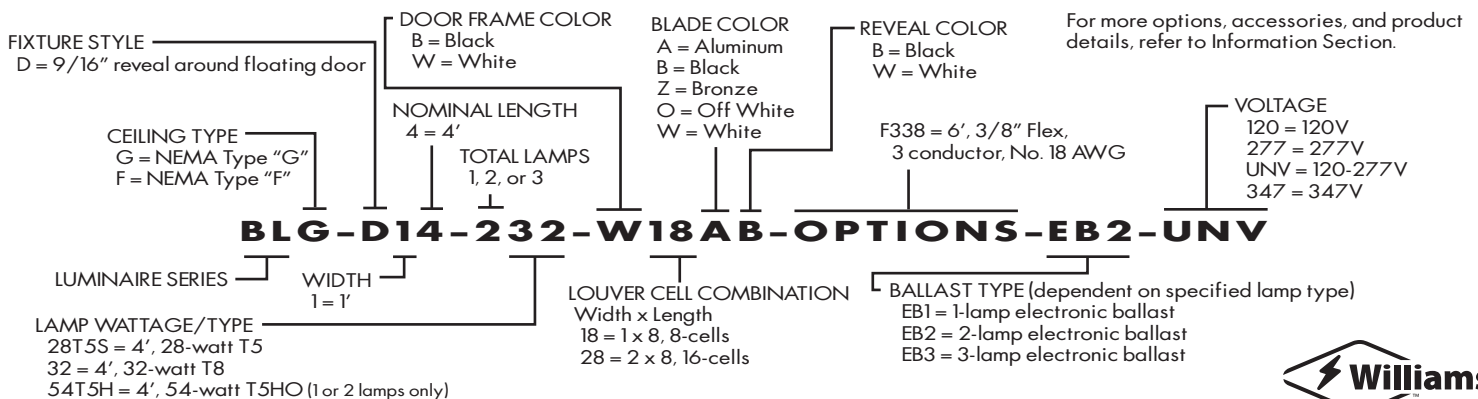
## SPECIFICATIONS

- HOUSING — 22-gauge die-formed C.R.S.
- DOOR FRAME — .050" extruded aluminum, flat with mitered corners. T-slot steel hinge allows reversible hinging and latching. Fully enclosed spring-loaded cam latches.
- SHIELDING — The BLADE® louver with #12 pattern, .125" acrylic prismatic overlay.
- FINISH — 92% minimum average reflective white powder coat with multi-stage iron/phosphate prepared metal.
- ELECTRICAL — Electronic ballast standard, instant start T8, programmed start T5, rated Class P.
- LABELS — UL/CUL listed as recessed fluorescent luminaire suitable for dry or damp locations.
- MOUNTING — NEMA Type "G" standard. NEMA Type "F" available. Field convertible to NEMA Type "F".

## FEATURES

- Five standard louver colors provide personalized decorative appeal — custom colors also available.
- BLADE® louvers with acrylic prismatic overlay provide architectural appearance and excellent lamp shielding.
- Full reveal presents floating door appearance.
- Fully-enclosed spring-loaded cam latches allow years of hassle-free maintenance.
- T-slot steel hinge allows for reversible hinging and latching.
- T-slot steel hinge assures positive retention when door is opened.
- Field convertible to NEMA Type "F".
- 5-3/4" housing with raised ballast wireway for maximum heat dissipation and superior optical efficiency.
- Fully gasketed door minimizes contaminants.
- Ballast secured by two captive bolts and nuts to ensure a tight, reliable fit for maximum heat dissipation and minimal ballast noise.
- All parts painted after fabrication to facilitate installation, increase efficiency, and inhibit corrosion.
- This fixture is proudly made in the USA.

## SUBMITTAL INFORMATION



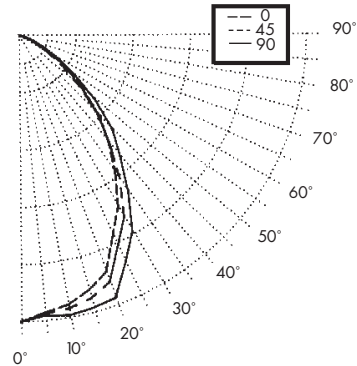
FLUORESCENT LIGHTING

Williams Catalog #BLG-D14-232-W18AB-EB2-120  
 Test Report #8531.0, Dated 11/16/95

Lamp Type: F32T8/SPX35/RS  
 Lamp Quantity: 2

**CANDLEPOWER DISTRIBUTION**

VERT. ANG.	HORIZONTAL ANGLE			ZONAL LUMENS
	0	45	90	
0	1785.	1785.	1785.	
5	1733.	1739.	1752.	166.1
15	1644.	1696.	1758.	476.0
25	1373.	1448.	1563.	674.4
35	1044.	1098.	1187.	692.8
45	706.	688.	824.	557.8
55	372.	336.	416.	328.6
65	158.	125.	178.	142.9
75	55.	40.	62.	52.0
85	13.	9.	13.	12.0
90	0.	0.	0.	



**ZONAL CAVITY COEFFICIENTS**

EFFECTIVE FLOOR CAVITY REFL. = .20

CEILING WALL RCR	.80			.70			.50		
	.70	.50	.30	.70	.50	.30	.50	.30	.10
0	.63	.63	.63	.61	.61	.61	.58	.58	.58
1	.59	.57	.55	.58	.56	.54	.54	.53	.51
2	.55	.52	.49	.54	.51	.49	.49	.47	.46
3	.52	.47	.44	.50	.47	.44	.45	.43	.40
4	.48	.43	.39	.47	.42	.39	.41	.38	.36
5	.45	.39	.35	.44	.39	.35	.38	.34	.32
6	.42	.36	.32	.41	.35	.32	.34	.31	.29
7	.39	.33	.29	.38	.32	.28	.31	.28	.26
8	.36	.30	.26	.35	.29	.26	.29	.25	.23
9	.33	.27	.23	.32	.27	.23	.26	.23	.20
10	.31	.25	.21	.30	.24	.21	.24	.20	.18

**LUMEN SUMMARY**

ZONE	LUMENS	% LAMP	% FIXTURE
0 - 30	1316.	22.3	42.4
0 - 40	2009.	34.1	64.8
0 - 60	2896.	49.1	93.3
0 - 90	3103.	52.6	100.0
90 - 120	0.	0.	0.
90 - 130	0.	0.	0.
90 - 150	0.	0.	0.
90 - 180	0.	0.	0.
Total Luminaire 0-180	3103.	52.6	100.0

**TOTAL LUMINAIRE OPTICAL EFFICIENCY = 52.6 %**  
 SPACING CRITERIA: ACROSS=1.2 ALONG=1.1

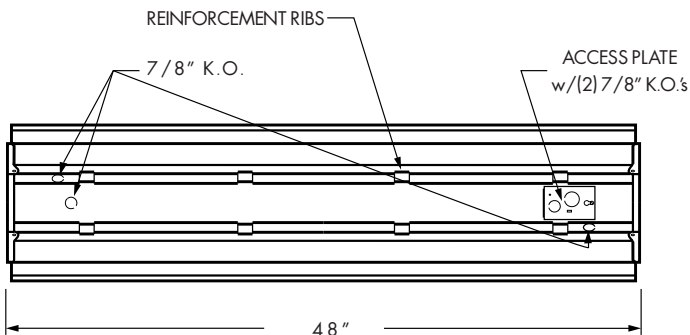
**MULTIPLIERS FOR CU TABLE**

Approximate CU values can be calculated for luminaires and Blade® colors by using the multipliers from the table below.

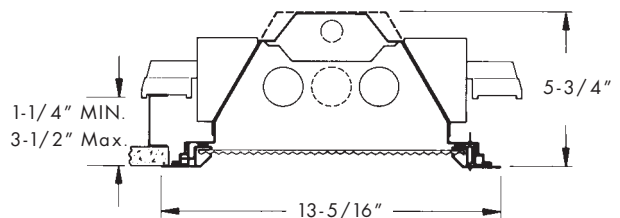
CATALOG NO.	BLADE® COLOR				
	White (W)	Off-White (O)	Alum. (A)	Bronze (Z)	Black (B)
BLG-D14-132-W18_B	145	142	110	0.99	0.93
BLG-D14-232-W18_B	134	130	100	0.90	0.86
BLG-D14-332-W18_B	125	121	0.93	0.84	0.80
BLG-D14-132-W28_B	135	132	102	0.92	0.86
BLG-D14-232-W28_B	125	121	0.88	0.72	0.69
BLG-D14-332-W28_B	117	113	0.82	0.67	0.64

Select required catalog number at left, read across to The BLADE® color desired to find multiplier for CU table.

**BACK VIEW**



**CROSS SECTION NEMA TYPE "F" INSTALLATION**



**MAXIMUM RECOMMENDED CEILING OPENING IS 12-3/8" X 48-3/8"**

For continuous row mounting, add 49-5/16" for each additional fixture to obtain ceiling opening. 1-5/16" between end plates.



H. E. WILLIAMS, INC.