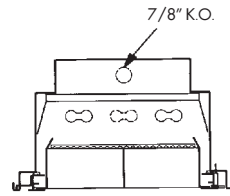
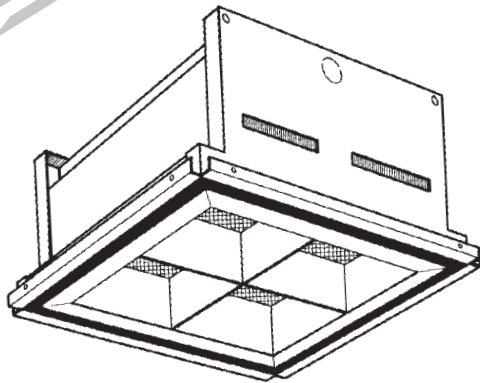


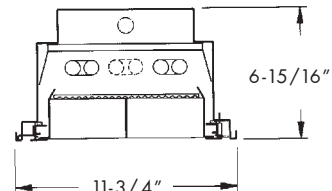
# 1' x 1' BLADE TROFFER

SERIES **BL**  
 VOLTAGE TYPE JOB SERIES

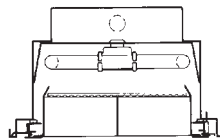
the **BLADE**®



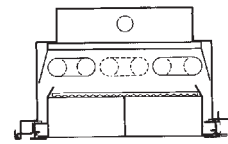
T4 Compact Fluorescent



Twin Tube



2D Lamp



T8 U-Lamp

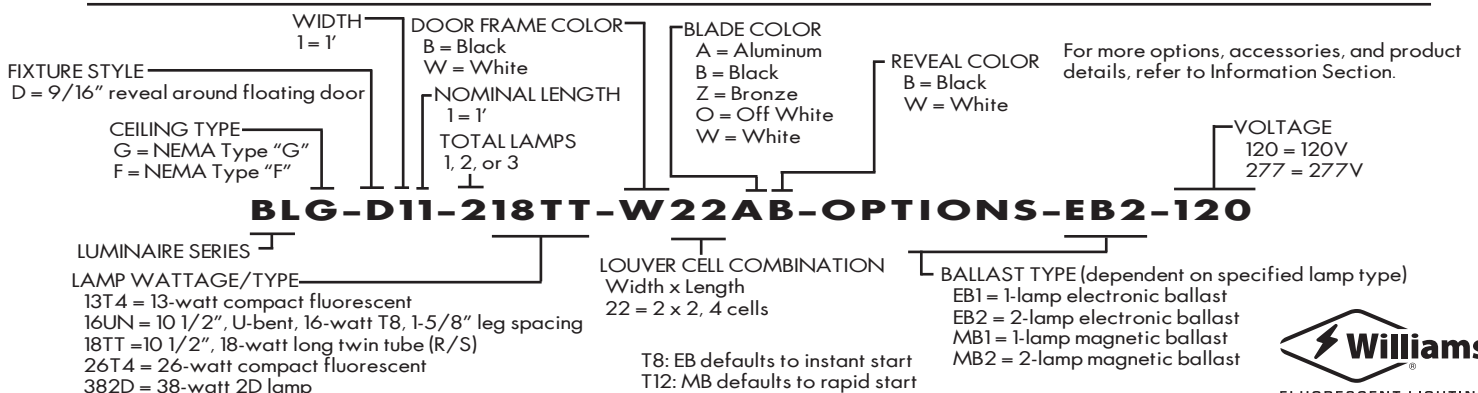
## SPECIFICATIONS

- **Housing** – 22-gauge die-formed C.R.S.
- **Door Frame** – .050" extruded aluminum, flat with mitered corners. T-slot steel hinge allows reversible hinging and latching. Fully enclosed spring-loaded cam latches.
- **Shielding** – The BLADE® louver with #12 pattern, .125" acrylic prismatic overlay.
- **Finish** – 92% minimum average reflective white powder coat with multi-stage iron/phosphate prepared metal.
- **Electrical** – Electronic ballast standard, either instant start or programmed start, rated Class P.
- **Labels** – UL/CUL listed as recessed fluorescent luminaire suitable for dry or damp locations.
- **Mounting** – NEMA Type "G" standard. NEMA Type "F" available.

## FEATURES

- Five standard louver colors provide personalized decorative appeal — custom colors also available.
- Patented BLADE® louvers with acrylic prismatic overlay provide architectural appearance and excellent lamp shielding.
- Full reveal presents floating door appearance.
- Fully-enclosed spring-loaded cam latches allow years of hassle-free maintenance.
- T-slot steel hinge allows reversible hinging and latching.
- T-slot steel hinge ensures positive retention when door is opened.
- Field convertible to NEMA Type "F".
- Fully gasketed door minimizes contaminants.
- Ballast secured by two captive bolts and nuts to ensure a tight, reliable fit for maximum heat dissipation and minimal ballast noise.
- All parts painted after fabrication to facilitate installation, increase efficiency, and inhibit corrosion.

## SUBMITTAL INFORMATION



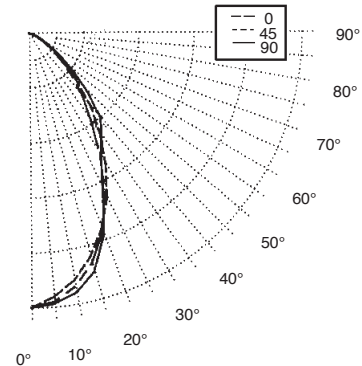
FLUORESCENT LIGHTING

Williams Catalog #BLG-D11-218TT-W22AB-EB2-120  
Test Report #6452.0, Dated 3/07/91

Lamp Type: F18BX/SPX35/RS  
Lamp Quantity: 2

**CANDLEPOWER DISTRIBUTION**

VERT. ANG.	HORIZONTAL ANGLE			ZONAL LUMENS
	0	45	90	
0	632.	632.	632.	
5	609.	621.	625.	59.2
15	534.	549.	569.	155.2
25	419.	406.	398.	189.9
35	283.	250.	290.	170.3
45	153.	141.	189.	121.2
55	71.	63.	81.	62.1
65	28.	23.	35.	26.4
75	8.	6.	10.	7.9
85	3.	1.	1.	1.9
90	0.	0.	0.	



**LUMEN SUMMARY**

ZONE	LUMENS	% LAMP	% FIXTURE
0 - 30	404.	16.2	50.9
0 - 40	575.	23.0	72.4
0 - 60	758.	30.3	95.4
0 - 90	794.	31.8	100.0
90 - 120	0.	0.	0.
90 - 130	0.	0.	0.
90 - 150	0.	0.	0.
90 - 180	0.	0.	0.
Total Luminaire			
0-180	794.	31.8	100.0

**ZONAL CAVITY COEFFICIENTS**

EFFECTIVE FLOOR CAVITY REFL. = .20

CEILING	.80			.70			.50			
	WALL	.70	.50	.30	.70	.50	.30	.50	.30	.10
0		.38	.38	.38	.37	.37	.37	.35	.35	.35
1		.36	.35	.34	.35	.34	.33	.33	.32	.32
2		.34	.32	.30	.33	.31	.30	.30	.29	.28
3		.32	.29	.28	.31	.29	.27	.28	.27	.25
4		.30	.27	.25	.29	.27	.25	.26	.24	.23
5		.28	.25	.23	.27	.24	.22	.24	.22	.21
6		.26	.23	.21	.26	.23	.21	.22	.20	.19
7		.24	.21	.19	.24	.21	.19	.20	.19	.17
8		.23	.19	.17	.22	.19	.17	.19	.17	.16
9		.21	.18	.16	.21	.18	.15	.17	.15	.14
10		.20	.16	.14	.20	.16	.14	.16	.14	.13

**MULTIPLIERS FOR CU TABLE**

Approximate CU values can be calculated for 2-F18TT lamps and BLADE® colors by using the multipliers from the table below.

CATALOG NO.	BLADE® COLOR				
	White (W)	Off-White (o)	Alum. (A)	Bronze (Z)	Black (B)
BLG-D11-218TT-W22_B	127	124	100	078	074

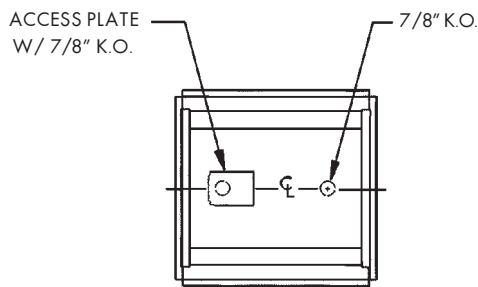
Select The BLADE® color desired to find multiplier for CU table.

**TOTAL LUMINAIRE**

OPTICAL EFFICIENCY = 40.1 %

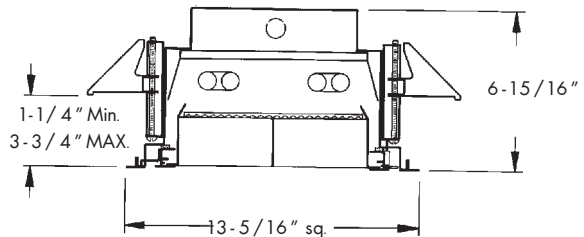
SPACING CRITERIA: ACROSS= .9 ALONG= .9

**BACK VIEW**



**CROSS SECTION**

**NEMA TYPE "F" INSTALLATION**



RECOMMENDED CEILING OPENING IS 12-5/16" ± 1/8" X 12-5/16" ± 1/8"



H. E. WILLIAMS, INC.