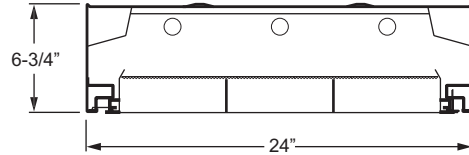
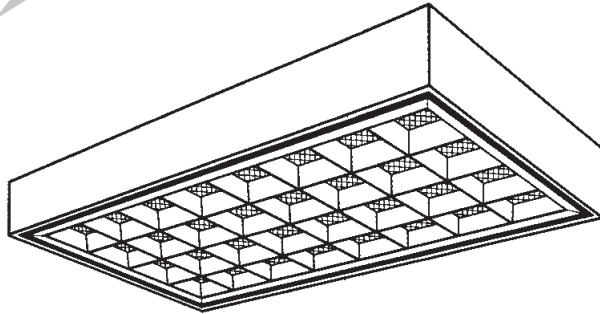


2, 3, or 4 LAMP 2' x 4' SURFACE MOUNT BLADE

SERIES **SBL**
 VOLTAGE TYPE JOB _____



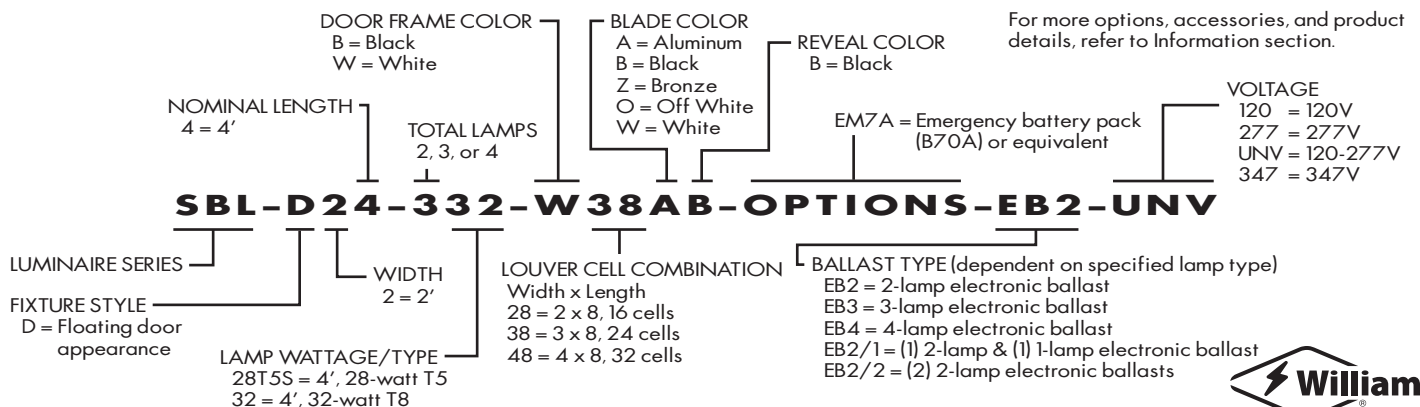
SPECIFICATIONS

- HOUSING – 20-gauge die-formed, welded C.R.S.
- DOOR FRAME – .050" extruded aluminum, flat with mitered corners. T-slot steel hinge allows reversible hinging and latching. Fully enclosed spring-loaded cam latches.
- SHIELDING – The BLADE® louver with #12 pattern, .125" acrylic prismatic overlay.
- FINISH – 92% minimum average reflective white polyester powder coat over multi-stage phosphate-free ZrC+ prepared metal.
- ELECTRICAL – Electronic ballast standard, instant start T8, programmed start T5, rated Class P
- LABELS – UL/CUL listed as fluorescent luminaire suitable for dry or damp locations.
- MOUNTING – Surface or suspended.

FEATURES

- Five standard louver colors provide personalized decorative appeal—custom colors also available.
- The BLADE® louver with acrylic prismatic overlay provides architectural appearance and excellent lamp shielding.
- Housing has full length embossment for added strength.
- Side mounted ballasts increase optical efficiency and maximize heat dissipation.
- Full reveal presents floating door appearance.
- Fully-enclosed, spring-loaded cam latches allow years of hassle-free maintenance.
- T-slot steel hinge allows for reversible hinging and latching.
- T-slot steel hinge ensures positive retention when door is opened.
- Fully gasketed door minimizes contaminants.
- Ballast secured by two captive bolts and nuts to ensure a tight, reliable fit for maximum heat dissipation and minimal ballast noise.
- All parts painted after fabrication to facilitate installation, increase efficiency, and inhibit corrosion.
- This fixture is proudly made in the USA.

SUBMITTAL INFORMATION



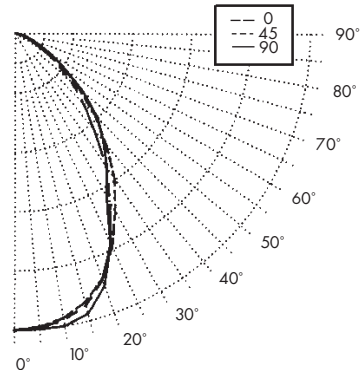
FLUORESCENT LIGHTING

Williams Catalog #SBL-24-332-W38AB-EB2-120
 Test Report #8538.0, Dated 11/27/95

Lamp Type: F32T8/SPX35/RS
 Lamp Quantity: 3

CANDLEPOWER DISTRIBUTION

VERT. ANG.	HORIZONTAL ANGLE			ZONAL LUMENS
	0	45	90	
0	2607.	2607.	2607.	
5	2584.	2593.	2608.	247.9
15	2440.	2471.	2545.	704.0
25	2067.	2036.	2027.	945.6
35	1561.	1424.	1443.	916.5
45	1012.	863.	1048.	731.1
55	548.	459.	560.	450.8
65	238.	181.	253.	209.8
75	87.	65.	97.	82.0
85	20.	15.	20.	19.1
90	0.	0.	0.	



ZONAL CAVITY COEFFICIENTS
 EFFECTIVE FLOOR CAVITY REFL. = .20

CEILING WALL RCR	.80			.70			.50		
	.70	.50	.30	.70	.50	.30	.50	.30	.10
0	.58	.58	.58	.57	.57	.57	.54	.54	.54
1	.55	.53	.51	.53	.52	.50	.50	.49	.48
2	.51	.48	.46	.50	.47	.45	.46	.44	.42
3	.48	.44	.41	.47	.43	.40	.42	.39	.37
4	.44	.40	.37	.43	.39	.36	.38	.36	.33
5	.41	.36	.33	.40	.36	.32	.35	.32	.30
6	.39	.33	.30	.38	.33	.29	.32	.29	.27
7	.36	.30	.27	.35	.30	.27	.29	.26	.24
8	.33	.28	.24	.33	.27	.24	.27	.24	.21
9	.31	.25	.22	.30	.25	.21	.24	.21	.19
10	.29	.23	.20	.28	.23	.19	.22	.19	.17

LUMEN SUMMARY

ZONE	LUMENS	% LAMP	% FIXTURE
0 - 30	1898.	21.4	44.1
0 - 40	2814.	31.8	65.3
0 - 60	3996.	45.2	92.8
0 - 90	4307.	48.7	100.0
90 - 120	0.	0.	0.
90 - 130	0.	0.	0.
90 - 150	0.	0.	0.
90 - 180	0.	0.	0.
Total Luminaire 0-180	4307.	48.7	100.0

TOTAL LUMINAIRE OPTICAL EFFICIENCY = 48.7 %
 SPACING CRITERIA: ACROSS=1.0 ALONG=1.1

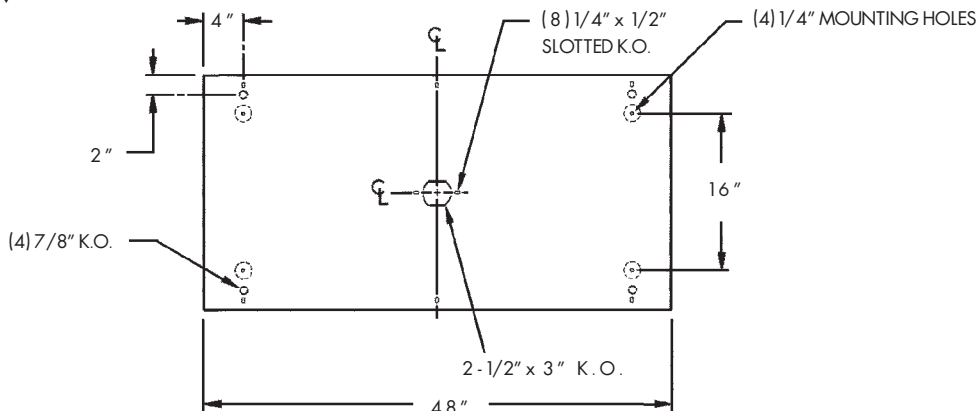
MULTIPLIERS FOR CU TABLE

Approximate CU values can be calculated for luminaires and BLADE® colors by using the multipliers from the table below.

CATALOG NO.	BLADE® COLOR				
	White (W)	Off-White (O)	Alum. (A)	Bronze (Z)	Black (B)
SBL-24-240T12-W28_B	126	125	100	.86	.81
SBL-24-340T12-W38_B					
SBL-24-440T12-W48_B					

Select required catalog number at left, read across to The BLADE® color desired to find multiplier for CU table.

BACK VIEW



FLUORESCENT LIGHTING