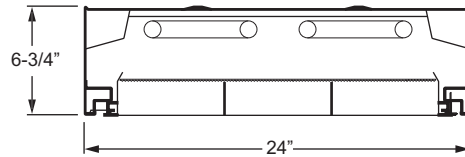
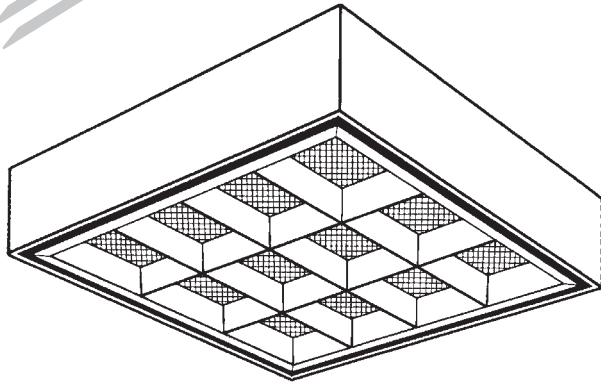


2, 3, or 4 LAMP 2' x 2' SURFACE MOUNT BLADE

SERIES **SBL**

the **BLADE**®



VOLTAGE TYPE JOB _____

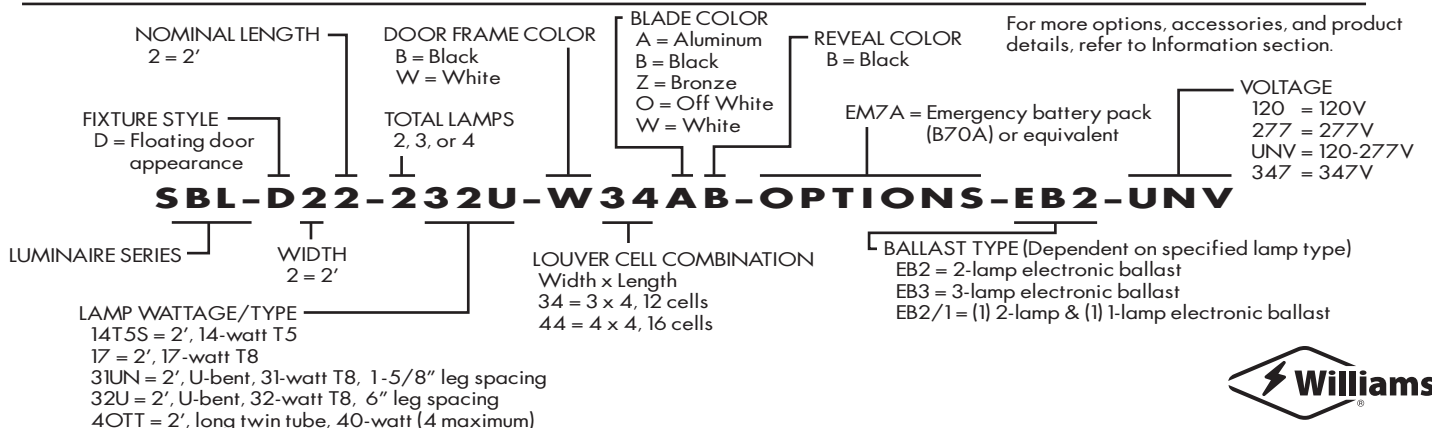
SPECIFICATIONS

- HOUSING – 20 gauge die-formed, welded C.R.S.
- DOOR FRAME – .050" extruded aluminum, flat with mitered corners. T-slot steel hinge allows reversible hinging and latching. Fully enclosed spring-loaded cam latches.
- SHIELDING – The BLADE® louver with #12 pattern, .125" acrylic prismatic overlay.
- FINISH – 92% minimum average reflective white polyester powder coat over multi-stage phosphate-free ZrC+ prepared metal.
- ELECTRICAL – Electronic ballast standard, instant start T8, programmed start T5, rated Class P
- LABELS – UL/CUL listed as fluorescent luminaire suitable for dry or damp locations.
- MOUNTING – Surface or suspended.

FEATURES

- Five standard louver colors provide personalized decorative appeal—custom colors also available.
- The BLADE® louver with acrylic prismatic overlay provides architectural appearance and excellent lamp shielding.
- Housing has full length embossment for added strength.
- Side mounted ballasts increase optical efficiency and maximize heat dissipation.
- Full reveal presents floating door appearance.
- Fully enclosed, spring-loaded cam latches allow years of hassle-free maintenance.
- T-slot steel hinge allows for reversible hinging and latching.
- T-slot steel hinge ensures positive retention when door is opened.
- Fully gasketed door minimizes contaminants.
- Ballast secured by two captive bolts and nuts to ensure a tight, reliable fit for maximum heat dissipation and minimal ballast noise.
- All parts painted after fabrication to facilitate installation, increase efficiency, and inhibit corrosion.
- This fixture is proudly made in the USA.

SUBMITTAL INFORMATION



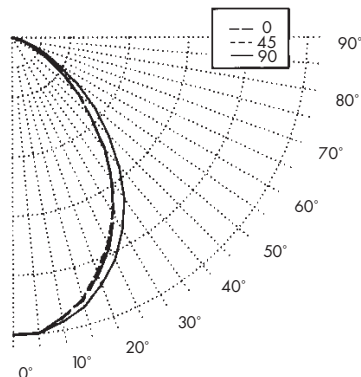
FLUORESCENT LIGHTING

Williams Catalog #SBL-22-232U-W34AB-EB2-120
 Test Report #8537.0, Dated 11/16/95

Lamp Type: FB032T8/835/6
 Lamp Quantity: 2

CANDLEPOWER DISTRIBUTION

VERT. ANG.	HORIZONTAL ANGLE			ZONAL LUMENS
	0	45	90	
0	1712.	1712.	1712.	
5	1712.	1710.	1711.	163.2
15	1563.	1569.	1607.	447.4
25	1314.	1334.	1415.	622.8
35	1007.	1016.	1137.	653.0
45	649.	651.	790.	526.5
55	355.	359.	460.	341.0
65	152.	133.	210.	152.4
75	55.	40.	63.	51.0
85	14.	10.	15.	13.5
90	0.	0.	0.	



ZONAL CAVITY COEFFICIENTS
 EFFECTIVE FLOOR CAVITY REFL. = .20

WALL RCR	CEILING .80			.70			.50		
	.70	.50	.30	.70	.50	.30	.50	.30	.10
0	.59	.59	.59	.58	.58	.58	.55	.55	.55
1	.55	.54	.52	.54	.53	.51	.51	.49	.48
2	.52	.49	.46	.51	.48	.46	.46	.44	.43
3	.48	.44	.41	.47	.44	.41	.42	.40	.38
4	.45	.40	.37	.44	.40	.36	.39	.36	.34
5	.42	.37	.33	.41	.36	.33	.35	.32	.30
6	.39	.33	.30	.38	.33	.29	.32	.29	.27
7	.36	.30	.27	.35	.30	.27	.29	.26	.24
8	.34	.28	.24	.33	.27	.24	.27	.23	.21
9	.31	.25	.21	.30	.25	.21	.24	.21	.19
10	.29	.23	.19	.28	.23	.19	.22	.19	.17

LUMEN SUMMARY

ZONE	LUMENS	% LAMP	% FIXTURE
0 - 30	1233.	20.6	41.5
0 - 40	1886.	31.4	63.5
0 - 60	2754.	45.9	92.7
0 - 90	2971.	49.5	100.0
90 - 120	0.	0.	0.
90 - 130	0.	0.	0.
90 - 150	0.	0.	0.
90 - 180	0.	0.	0.
Total Luminaire 0-180	2971.	49.5	100.0

TOTAL LUMINAIRE OPTICAL EFFICIENCY = 49.5 %
 SPACING CRITERIA: ACROSS=1.1 ALONG=1.1

MULTIPLIERS FOR CU TABLE

Approximate CU values can be calculated for luminaires and BLADE® colors by using the multipliers from the table below.

CATALOG NO.	BLADE® COLOR				
	White (W)	Off-White (O)	Alum. (A)	Bronze (Z)	Black (B)
SBL-22-232U-W34_B	126	125	100	.86	.81
SBL-22-332U-W44_B					

Select required catalog number at left, read across to The BLADE® color desired to find multiplier for CU table.

BACK VIEW

