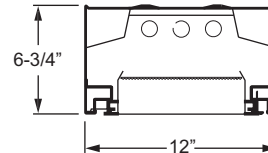
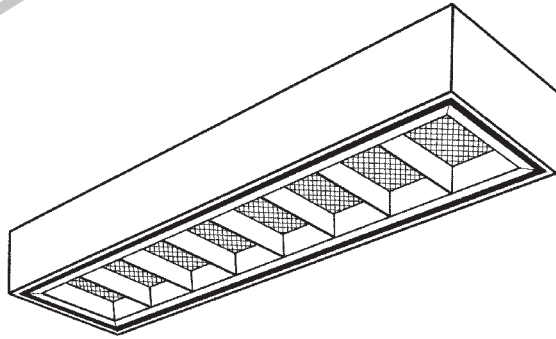


1, 2, or 3 LAMP 1' x 4' SURFACE MOUNT BLADE

SERIES **SBL**

the **BLADE**®



VOLTAGE TYPE JOB _____

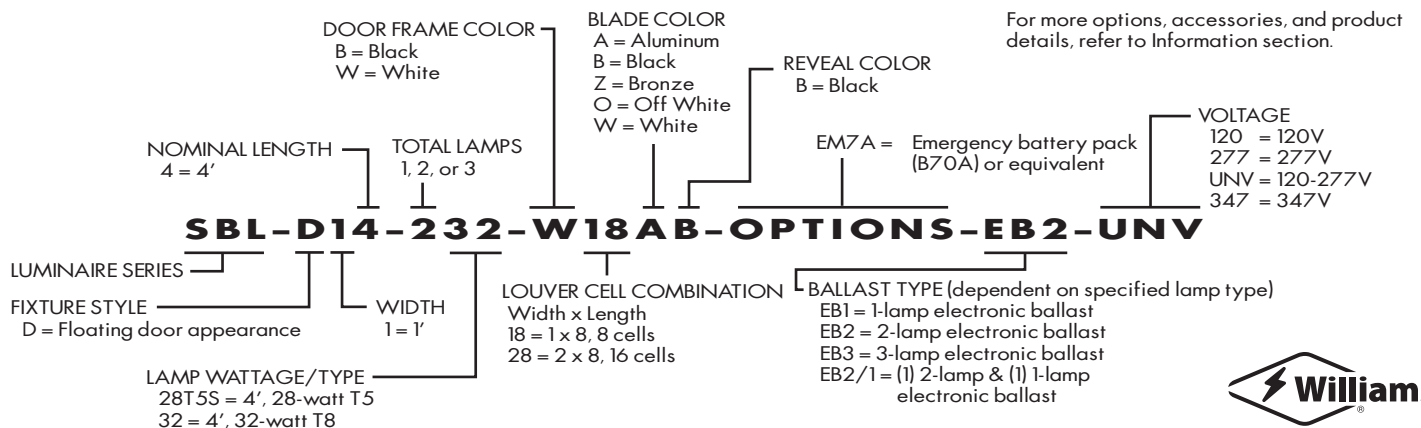
SPECIFICATIONS

- HOUSING – 20-gauge die-formed, welded C.R.S.
- DOOR FRAME – .050" extruded aluminum, flat with mitered corners. T-slot steel hinge allows reversible hinging and latching. Fully-enclosed spring-loaded cam latches.
- SHIELDING – The BLADE® louver with #12 pattern, .125" acrylic prismatic overlay.
- FINISH – 92% minimum average reflective white polyester powder coat over multi-stage phosphate-free ZrC+ prepared metal.
- ELECTRICAL – Electronic ballast standard, instant start T8, programmed start T5, rated Class P.
- LABELS – UL/CUL listed as fluorescent luminaire suitable for dry or damp locations.
- MOUNTING – Surface or suspended.

FEATURES

- Five standard louver colors provide personalized decorative appeal—custom colors also available.
- The BLADE® louver with acrylic prismatic overlay provides architectural appearance and excellent lamp shielding.
- Full reveal presents floating door appearance.
- Housing has full length embossment for added strength.
- Side mounted ballasts increase optical efficiency and maximize heat dissipation.
- Fully-enclosed spring-loaded cam latches allow years of hassle-free maintenance.
- T-slot steel hinge allows for reversible hinging and latching.
- T-slot steel hinge ensures positive retention when door is opened.
- Fully gasketed door minimizes contaminants.
- Ballast secured by two captive bolts and nuts to ensure a tight, reliable fit for maximum heat dissipation and minimal ballast noise.
- All parts painted after fabrication to facilitate installation, increase efficiency, and inhibit corrosion.
- This fixture is proudly made in the USA.

SUBMITTAL INFORMATION



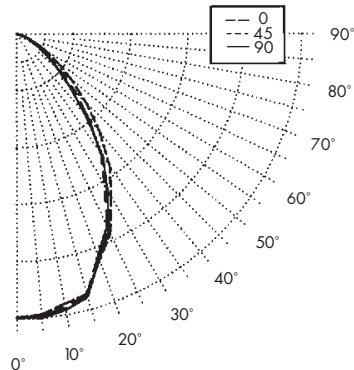
FLUORESCENT LIGHTING

Williams Catalog #SBL-14-232-W18AB-EB2-120
 Test Report #8536.0, Dated 11/27/95

Lamp Type: F32T8/SPX35/RS
 Lamp Quantity: 2

CANDLEPOWER DISTRIBUTION

VERT. ANG.	HORIZONTAL ANGLE			ZONAL LUMENS
	0	45	90	
0	1605.	1605.	1605.	
5	1592.	1603.	1612.	152.9
15	1525.	1529.	1541.	434.1
25	1250.	1203.	1230.	565.3
35	919.	828.	847.	536.6
45	555.	468.	425.	368.1
55	284.	202.	211.	203.3
65	115.	83.	112.	96.7
75	41.	30.	45.	38.9
85	9.	7.	9.	9.3
90	0.	0.	0.	



ZONAL CAVITY COEFFICIENTS

EFFECTIVE FLOOR CAVITY REFL. = .20

CEILING WALL RCR	.80			.70			.50		
	.70	.50	.30	.70	.50	.30	.50	.30	.10
0	.49	.49	.49	.47	.47	.47	.45	.45	.45
1	.46	.44	.43	.45	.44	.42	.42	.41	.40
2	.43	.41	.39	.42	.40	.38	.39	.37	.36
3	.40	.37	.35	.39	.37	.34	.36	.34	.32
4	.38	.34	.31	.37	.34	.31	.33	.30	.29
5	.35	.31	.28	.34	.31	.28	.30	.28	.26
6	.33	.29	.26	.32	.28	.26	.28	.25	.23
7	.31	.26	.23	.30	.26	.23	.25	.23	.21
8	.29	.24	.21	.28	.24	.21	.23	.21	.19
9	.27	.22	.19	.26	.22	.19	.21	.19	.17
10	.25	.20	.17	.24	.20	.17	.20	.17	.15

LUMEN SUMMARY

ZONE	LUMENS	% LAMP	% FIXTURE
0 - 30	1152.	19.5	47.9
0 - 40	1689.	28.6	70.2
0 - 60	2260.	38.3	94.0
0 - 90	2405.	40.8	100.0
90 - 120	0.	0.	0.
90 - 130	0.	0.	0.
90 - 150	0.	0.	0.
90 - 180	0.	0.	0.
Total Luminaire			
0-180	2405.	40.8	100.0

TOTAL LUMINAIRE OPTICAL EFFICIENCY = 40.8 %
 SPACING CRITERIA: ACROSS= 1.0 ALONG= 1.0

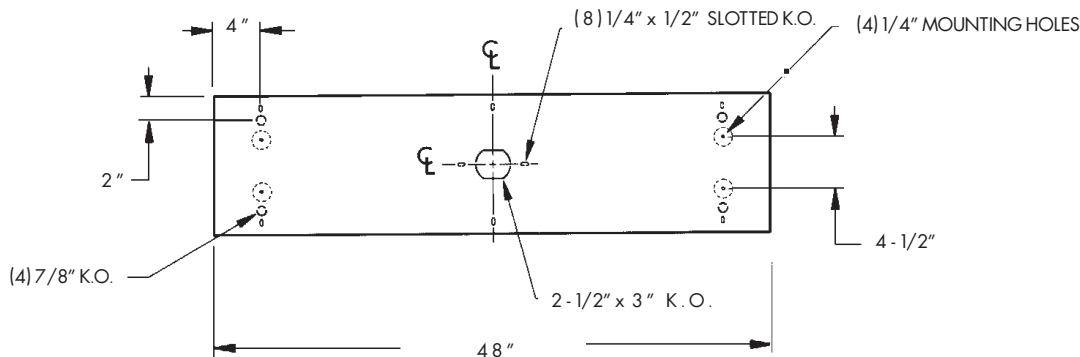
MULTIPLIERS FOR CU TABLE

Approximate CU values can be calculated for luminaires and BLADE® colors by using the multipliers from the table below.

CATALOG NO.	BLADE® COLOR				
	White (W)	Off-White (O)	Alum. (A)	Bronze (Z)	Black (B)
SBL-14-132-W18_B	126	125	100	.86	.81
SBL-14-232-W18_B					
SBL-14-332-W18_B					
SBL-14-132-W28_B					
SBL-14-232-W28_B					
SBL-14-332-W28_B					

Select required catalog number at left, read across to The BLADE® color desired to find multiplier for CU table.

BACK VIEW



FLUORESCENT LIGHTING