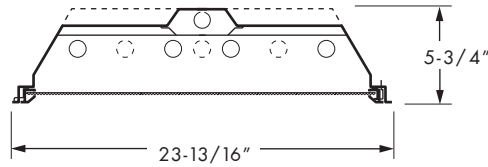
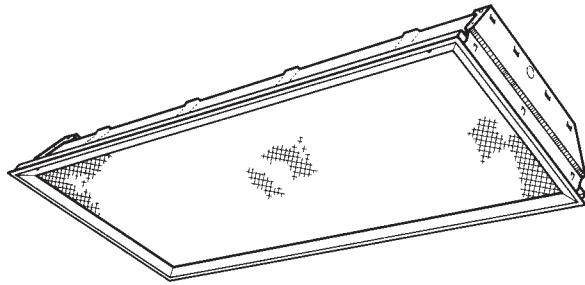


2' x 4' PREMIUM STATIC TROFFER

SERIES **EP**
STATIC

VOLTAGE TYPE JOB _____



SPECIFICATIONS

- **Housing** – 22-gauge die-formed C.R.S.
- **Door Frame** – .050" thick extruded aluminum, flat or regress, with mitered corners.
- **Shielding** – #12 pattern, .125" acrylic overlay standard—other patterns and thicknesses available.
- **Finish** – 92% minimum average reflective white polyester powder coat bonded to phosphate-free, multi-stage pretreated metal.
- **Electrical** – Electronic ballast standard, instant start T8, program start T5, rated Class P.
- **Labels** – UL/CUL listed as recessed fluorescent luminaire suitable for dry or damp locations. Available for wet locations—consult factory.
- **Mounting** – NEMA Type "G" standard. NEMA Type "F" available.

FEATURES

- Fully-enclosed spring-loaded cam latches allow years of hassle-free maintenance.
- T-slot steel hinge ensures positive retention when door is opened.
- T-slot steel hinge allows reversible hinging and latching.
- 5-3/4" deep housing with raised ballast wireway eliminates lens shadowing.
- Deep reinforcement ribs provide added strength.
- Optional anti-microbial powder coating available to prevent the spread of dangerous micro-organisms and suppress the growth of mold and bacteria.
- Fully-gasketed door minimizes contaminants.
- Ballast secured by two captive bolts and nuts to ensure a tight, reliable fit for maximum heat dissipation.
- All parts painted after fabrication to facilitate installation, increase efficiency, and inhibit corrosion.
- This fixture is proudly made in the USA.

ORDERING INFORMATION

Submittal

CEILING FIXT. NOM. NOM. TOTAL WATTAGE/FRAME
 SERIES TYPE STYLE W. L. LAMPS TYPE TYPE SHIELDING OPTIONS BALLAST VOLTAGE
 EXAMPLE: **EP G - S 2 4 - 3 32 - R A12125 - OPTIONS - EB3 - 120**

SERIES

EP Premium Static Troffer (No air handling)

CEILING TYPE

G NEMA Type "G"
F NEMA Type "F" (Field convertible)

FIXTURE STYLE

S Full door frame, no reveal

NOMINAL WIDTH

2 2'

NOMINAL LENGTH

4 4'

TOTAL LAMPS

2, 3, 4, or 6

LAMP WATTAGE/TYPE

28T55 4', 28-watt T5
32 4', 32-watt T8
54T5H 4', 54-watt T5HO (4 lamps max.)

DOOR FRAME TYPE

F White Flat aluminum
R White Regress aluminum
FB Black Flat aluminum
RB Black Regress aluminum

SHIELDING

A12125 #12 pattern acrylic, .125" thick
A19156 #19 pattern acrylic, .156" thick
PC1SS Nominal 1/2"x1/2"x1/2" silver polystyrene
PC2SS Nominal 1-1/2"x1-1/2"x1" silver polystyrene

OPTIONS

DG/MYLAR Double gasket (flat aluminum door only)
TG/MYLAR Triple gasket (flat aluminum door only)
WET UL listed suitable for wet location under covered ceiling (flat aluminum door only)
AMW Anti-microbial white finish

BALLAST TYPE

EB2 2-lamp electronic ballast
EB3 3-lamp electronic ballast
EB4 4-lamp electronic ballast
EB3/3 (2) 3-lamp electronic ballasts
EB4/2 (1) 4-lamp & (1) 2-lamp electronic ballast

VOLTAGE

120 120V **UNV** 120-277V
277 277V **347** 347V

Note: For more options/accessories, ballast combinations, and product details, please consult factory.



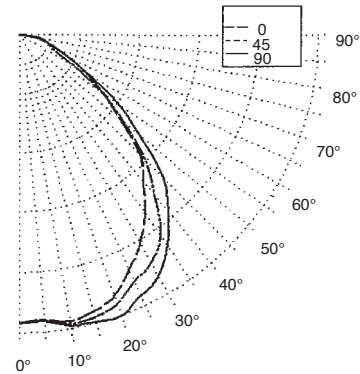
FLUORESCENT LIGHTING

Williams Catalog #EPG-S24-332-RA12125-EB3-120
Test Report #9042.0, Dated 08/22/96

Lamp Type: F32T8/SPX35/RS
Lamp Quantity: 3

CANDLEPOWER DISTRIBUTION

VERT. ANG.	HORIZONTAL ANGLE			ZONAL LUMENS
	0	45	90	
0	2918.	2918.	2918.	
5	2898.	2892.	2909.	277.0
15	2898.	2955.	3006.	836.4
25	2637.	2760.	2913.	1280.4
35	2221.	2507.	2626.	1543.2
45	1736.	1809.	2081.	1436.9
55	1054.	1027.	1235.	973.3
65	566.	419.	570.	478.4
75	293.	295.	293.	312.3
85	112.	103.	83.	109.2
90	0.	0.	0.	



LUMEN SUMMARY

ZONE	LUMENS	% LAMP	% FIXTURE
0 - 30	2394.	27.0	33.0
0 - 40	3937.	44.5	54.3
0 - 60	6347.	71.7	87.6
0 - 90	7247.	81.9	100.0
90 - 120	0.	0.	0.
90 - 130	0.	0.	0.
90 - 150	0.	0.	0.
90 - 180	0.	0.	0.
Total Luminaire			
0-180	7247.	81.9	100.0

ZONAL CAVITY COEFFICIENTS

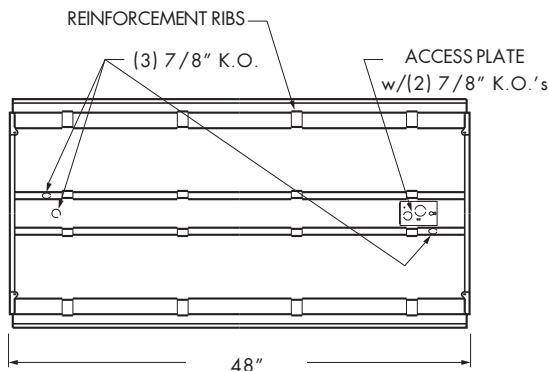
EFFECTIVE FLOOR CAVITY REFL. = .20

CEILING WALL RCR	.80			.70			.50		
	.70	.50	.30	.70	.50	.30	.50	.30	.10
0	.97	.97	.97	.95	.95	.95	.91	.91	.91
1	.91	.87	.84	.88	.86	.83	.82	.80	.78
2	.84	.78	.74	.82	.77	.72	.74	.70	.67
3	.78	.70	.65	.76	.69	.64	.67	.62	.59
4	.72	.63	.57	.70	.62	.56	.60	.55	.51
5	.66	.57	.50	.65	.56	.50	.54	.49	.45
6	.61	.51	.45	.60	.51	.44	.49	.44	.39
7	.57	.46	.40	.55	.46	.39	.44	.39	.35
8	.52	.42	.35	.51	.41	.35	.40	.34	.30
9	.48	.37	.31	.47	.37	.31	.36	.30	.26
10	.45	.34	.28	.43	.33	.27	.33	.27	.23

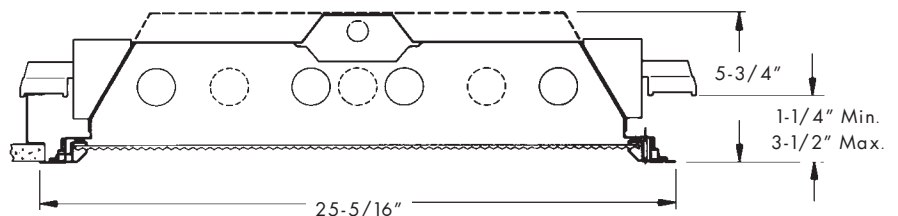
TOTAL LUMINAIRE OPTICAL EFFICIENCY = 81.9 %

SPACING CRITERIA: ACROSS= 1.4 ALONG= 1.2

BACK VIEW



CROSS SECTION NEMA TYPE "F" INSTALLATION



MAXIMUM RECOMMENDED CEILING OPENING IS 24-3/8" X 48-3/8"

For continuous row mounting, add 49-5/16" for each additional fixture to obtain ceiling opening. 1-5/16" between end plates.



H.E. WILLIAMS, INC.