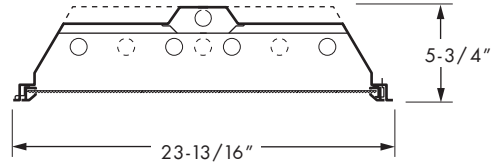
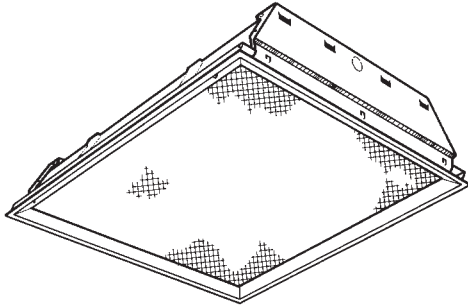


2' x 2' PREMIUM STATIC TROFFER

SERIES **EP** STATIC
 JOB _____
 VOLTAGE TYPE _____
 JOB _____



SPECIFICATIONS

- **Housing** – 22-gauge die-formed C.R.S.
- **Door Frame** – .050" thick extruded aluminum, flat or regress, with mitered corners.
- **Shielding** – #12 pattern, .125" acrylic overlay standard—other patterns and thicknesses available.
- **Finish** – 92% minimum average reflective white polyester powder coat bonded to phosphate-free, multi-stage pretreated metal.
- **Electrical** – Electronic ballast standard, instant start T8, program start T5, rated Class P.
- **Labels** – UL/CUL listed as recessed fluorescent luminaire suitable for dry or damp locations. Available for wet locations—consult factory.
- **Mounting** – NEMA Type "G" standard. NEMA Type "F" available.

FEATURES

- Fully-enclosed spring-loaded cam latches allow years of hassle-free maintenance.
- T-slot steel hinge ensures positive retention when door is opened.
- T-slot steel hinge allows reversible hinging and latching.
- 5-3/4" deep housing with raised ballast wireway eliminates lens shadowing.
- Deep reinforcement ribs provide added strength.
- Optional anti-microbial powder coating available to prevent the spread of dangerous micro-organisms and suppress the growth of mold and bacteria.
- Fully-gasketed door minimizes contaminants.
- Ballast secured by two captive bolts and nuts to ensure a tight, reliable fit for maximum heat dissipation.
- All parts painted after fabrication to facilitate installation, increase efficiency, and inhibit corrosion.
- This fixture is proudly made in the USA.

ORDERING INFORMATION

Submittal

EXAMPLE: **EP** **G** - **S** **2** **2** - **2** **32U** - **R** **A12125** - **OPTIONS** - **EB2** - **120**

SERIES	EP Premium Static Troffer (No air handling)
CEILING TYPE	G NEMA Type "G" F NEMA Type "F"
FIXTURE STYLE	S Full door frame, no reveal
NOMINAL WIDTH	2 2'
NOMINAL LENGTH	2 2'
TOTAL LAMPS	2, 3, or 4

Note: For more options/accessories, ballast combinations, and product details, please consult factory.

LAMP WATTAGE/TYPE	14T5 2', 14-watt T5 17 2', 17-watt T8 24T5H 2', 24-watt T5HO 31UN 2', U-bent, 31-watt T8, 1-5/8" leg spacing 32U 2', U-bent, 32-watt T8, 6" leg spacing 40TT 2', 40-watt long twin tube
--------------------------	--

DOOR FRAME TYPE	F White flat aluminum R White regress aluminum FB Black flat aluminum RB Black regress aluminum
------------------------	--

SHIELDING	A12125 #12 pattern acrylic, .125" thick A19156 #19 pattern acrylic, .156" thick PC15S Nominal 1/2"x1/2"x1/2" silver polystyrene PC25S Nominal 1-1/2"x1-1/2"x1" silver polystyrene
------------------	--

OPTIONS	DG/MYLAR Double gasket (flat aluminum door only) TG/MYLAR Triple gasket (flat aluminum door only) WET UL listed suitable for wet location under covered ceiling (flat aluminum door only) AMW Anti-microbial white finish
----------------	--

BALLAST TYPE	EB2 2-lamp electronic ballast EB3 3-lamp electronic ballast EB4 4-lamp electronic ballast EB2/2 (2) 2-lamp electronic ballasts
---------------------	---

VOLTAGE	120 120V 277 277V	UNV 120-277V 347 347V
----------------	------------------------------------	--



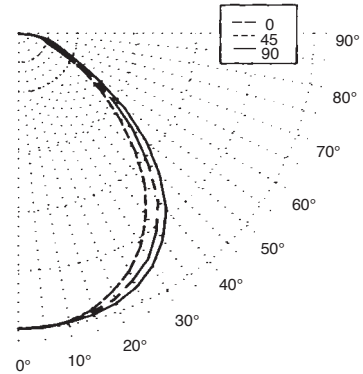
FLUORESCENT LIGHTING

Williams Catalog #EPG-S22-232U-RA12125-EB2-120
Test Report #8534.0, Dated 11/15/95

Lamp Type: FB032/835/6
Lamp Quantity: 2

CANDLEPOWER DISTRIBUTION

VERT. ANG.	HORIZONTAL ANGLE			ZONAL LUMENS
	0	45	90	
0	1986.	1986.	1986.	
5	1989.	1986.	1980.	189.6
15	1922.	1940.	1958.	550.7
25	1760.	1824.	1879.	844.3
35	1490.	1614.	1686.	1008.3
45	1103.	1226.	1339.	948.3
55	683.	770.	868.	697.9
65	361.	326.	422.	354.0
75	226.	172.	244.	210.5
85	80.	84.	91.	91.2
90	0.	0.	0.	



LUMEN SUMMARY

ZONE	LUMENS	% LAMP	% FIXTURE
0 - 30	1585.	26.4	32.4
0 - 40	2593.	43.2	53.0
0 - 60	4239.	70.7	86.6
0 - 90	4895.	81.6	100.0
90 - 120	0.	0.	0.
90 - 130	0.	0.	0.
90 - 150	0.	0.	0.
90 - 180	0.	0.	0.
Total Luminaire			
0-180	4895.	81.6	100.0

ZONAL CAVITY COEFFICIENTS

EFFECTIVE FLOOR CAVITY REFL. = .20

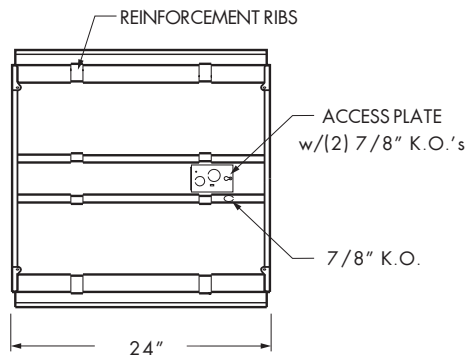
CEILING	.80			.70			.50			
	WALL RCR	.70	.50	.30	.70	.50	.30	.50	.30	.10
0	97	97	97	95	95	95	91	91	91	
1	90	87	84	88	85	82	82	79	77	
2	83	78	73	81	76	72	73	70	66	
3	77	70	64	75	68	63	66	62	58	
4	71	63	56	69	62	56	60	54	50	
5	66	56	49	64	55	49	53	48	44	
6	61	51	44	59	50	43	48	43	39	
7	56	46	39	55	45	39	44	38	34	
8	52	41	34	50	40	34	39	34	30	
9	47	37	30	46	36	30	35	30	26	
10	44	33	27	43	33	27	32	27	23	

TOTAL LUMINAIRE

OPTICAL EFFICIENCY = 81.6 %

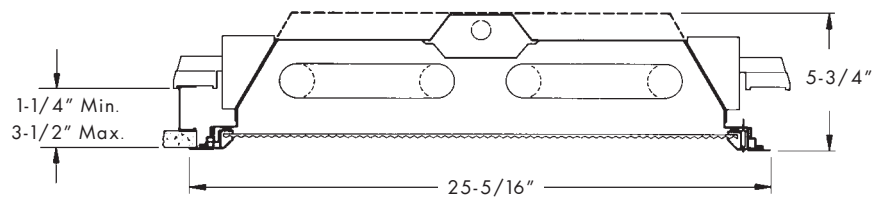
SPACING CRITERIA: ACROSS= 1.3 ALONG= 1.2

BACK VIEW



CROSS SECTION

NEMA TYPE "F" INSTALLATION



MAXIMUM RECOMMENDED CEILING OPENING IS 24-3/8" X 24-3/8"



H.E. WILLIAMS, INC.