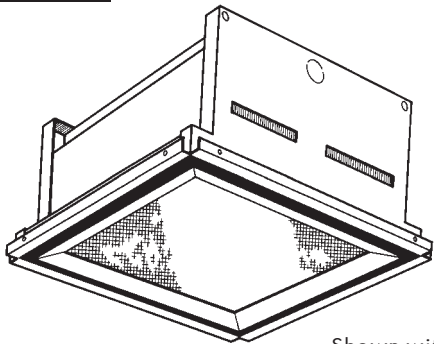
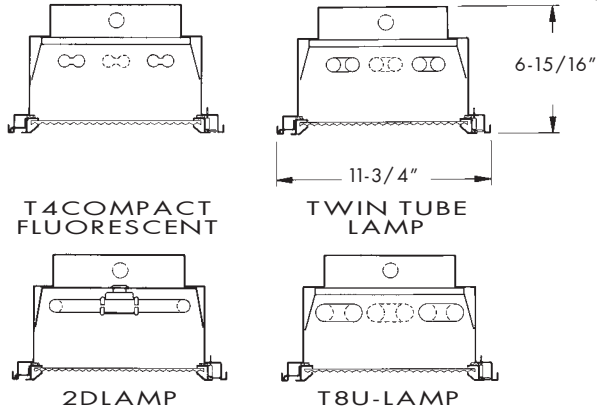


1' x 1' PREMIUM STATIC TROFFER

SERIES **EP** STATIC
 VOLTAGE TYPE JOB _____



Shown with Fixture Style D



SPECIFICATIONS

- **Housing** – 22-gauge die-formed C.R.S.
- **Door Frame** – .050" thick extruded aluminum, flat or regress, with mitered corners.
- **Shielding** – #12 pattern, .125" acrylic overlay standard—other patterns and thicknesses available.
- **Finish** – 92% minimum average reflective white powder coat with multi-stage iron/phosphate prepared metal.
- **Electrical** – Electronic ballast standard, either instant start or programmed start, rated Class P.
- **Labels** – UL/CUL listed as recessed fluorescent luminaire suitable for dry or damp locations. Available for wet locations—consult factory.
- **Mounting** – NEMA Type "G" standard. NEMA Type "F" available. Field convertible to NEMA Type "F".

FEATURES

- Fully-enclosed spring-loaded cam latches allow years of hassle-free maintenance.
- T-slot steel hinge ensures positive retention when door is opened.
- T-slot steel hinge allows reversible hinging and latching.
- 1/2" deep aluminum regress door frame for architectural appearance.
- Rolled-edge channel adds superior strength.
- Optional anti-microbial powder coating available to prevent the spread of dangerous micro-organisms and suppress the growth of mold and bacteria.
- Field convertible to NEMA Type "F".
- Fully-gasketed door minimizes contaminants.
- Ballast secured by two captive bolts and nuts to ensure a tight, reliable fit for maximum heat dissipation and minimal ballast noise.
- All parts painted after fabrication to facilitate installation, increase efficiency, and inhibit corrosion.
- This fixture is proudly made in the USA.

ORDERING INFORMATION

Submittal

EXAMPLE: **EPG - D111 - 218TT - R A12125 - OPTIONS - EB2 - 120**

SERIES	
EP	Premium Static Troffer (No air handling)
CEILING TYPE	
G	NEMA Type "G"
F	NEMA Type "F" (Field convertible)
FIXTURE STYLE	
S	Full door frame, no reveal
D	Static, no heat extract through lamp cavity—no side slots
NOMINAL WIDTH	
1	1'
NOMINAL LENGTH	
1	1'
TOTAL LAMPS	
1, 2, or 3	

LAMP WATTAGE/TYPE	
13T4	13-watt compact fluorescent
16UN	16-watt T8, 10-1/2", U-bent, 1-5/8" leg spacing
18TT	18-watt, 10-1/2", twin tube (RS)
26T4	26-watt compact fluorescent
382D	38-watt 2D lamp
DOOR FRAME TYPE	
F	White Flat aluminum
R	White Regress aluminum
FB	Black Flat aluminum
RB	Black Regress aluminum
SHIELDING	
A12125	#12 pattern acrylic, .125" thick
A19156	#19 pattern acrylic, .156" thick
PC155	Nominal 1/2"x1/2"x1/2" silver polystyrene

OPTIONS			
DG/MYLAR	Double Gasket (flat aluminum door only)		
TG/MYLAR	Triple Gasket (flat aluminum door only)		
AMW	Anti-microbial white finish		
BALLAST TYPE			
EB1	1-lamp electronic ballast		
EB2	2-lamp electronic ballast		
EB3	3-lamp electronic ballast		
VOLTAGE			
120	120V	UNV	120-277V
277	277V	347	347V

Note: For more options/accessories, ballast combinations, and product details, please consult factory.



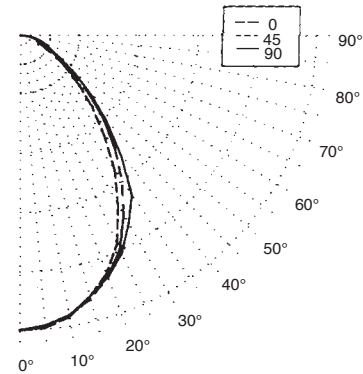
FLUORESCENT LIGHTING

Williams Catalog #EPG-D11-218TT-RA12125-EB2-120
Test Report #6547.0, Dated 6/05/91

Lamp Type: FT18W/2G11/RS/835
Lamp Quantity: 2

CANDLEPOWER DISTRIBUTION

VERT. ANG.	HORIZONTAL ANGLE			ZONAL LUMENS
	0	45	90	
0	576.	576.	576.	
5	573.	569.	568.	54.3
15	527.	532.	526.	149.9
25	447.	460.	468.	211.0
35	320.	345.	379.	218.2
45	195.	226.	236.	171.1
55	104.	111.	126.	102.7
65	61.	43.	64.	52.5
75	37.	31.	39.	35.7
85	5.	6.	7.	6.3
90	0.	0.	0.	



LUMEN SUMMARY

ZONE	LUMENS	% LAMP	% FIXTURE
0 - 30	415.	16.6	41.5
0 - 40	633.	25.3	63.2
0 - 60	907.	36.3	90.6
0 - 90	1002.	40.1	100.0
90 - 120	0.	0.	0.
90 - 130	0.	0.	0.
90 - 150	0.	0.	0.
90 - 180	0.	0.	0.
Total Luminaire			
0-180	1002.	40.1	100.0

ZONAL CAVITY COEFFICIENTS

EFFECTIVE FLOOR CAVITY REFL. = .20

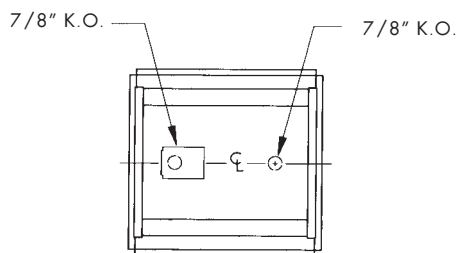
CEILING	.80			.70			.50			
	WALL RCR	.70	.50	.30	.70	.50	.30	.50	.30	.10
0	.48	.48	.48	.47	.47	.47	.45	.45	.45	
1	.45	.43	.42	.44	.42	.41	.41	.40	.39	
2	.42	.39	.37	.41	.38	.37	.37	.35	.34	
3	.39	.36	.33	.38	.35	.33	.34	.32	.30	
4	.36	.32	.29	.35	.32	.29	.31	.29	.27	
5	.34	.29	.26	.33	.29	.26	.28	.26	.24	
6	.31	.27	.24	.31	.26	.24	.26	.23	.21	
7	.29	.24	.21	.29	.24	.21	.24	.21	.19	
8	.27	.22	.19	.26	.22	.19	.21	.19	.17	
9	.25	.20	.17	.25	.20	.17	.19	.17	.15	
10	.23	.18	.16	.23	.18	.15	.18	.15	.14	

TOTAL LUMINAIRE

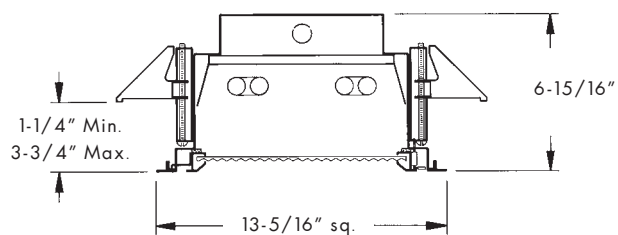
OPTICAL EFFICIENCY = 40.1 %

SPACING CRITERIA: ACROSS= 1.1 ALONG= 1.0

BACK VIEW



CROSS SECTION NEMA TYPE "F" INSTALLATION



RECOMMENDED CEILING OPENING IS 12-5/16" ± 1/8" X 12-5/16" ± 1/8"



H.E. WILLIAMS, INC.