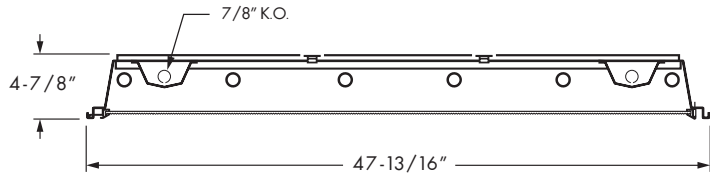
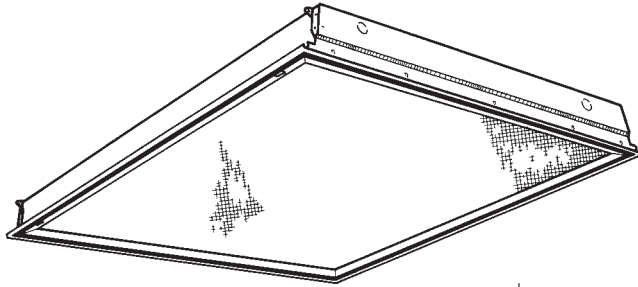


4' x 4' AIR TROFFER

SERIES **50**
AIR

VOLTAGE TYPE JOB _____



SPECIFICATIONS

- **Housing** – 22-gauge die-formed C.R.S.
- **Door Frame** – .050" extruded aluminum, flat or regress, with mitered corners. T-slot steel hinge allows reversible hinging and latching.
- **Shielding** – #12 pattern, .187" acrylic overlay standard—other patterns and thicknesses available.
- **Finish** – 92% minimum average reflective white powder coat with multi-stage iron/phosphate prepared metal.
- **Electrical** – Electronic ballast standard, instant start T8, programmed start T5, rated Class P.
- **Labels** – UL/CUL listed as recessed fluorescent luminaire suitable for dry or damp locations.
- **Mounting** – NEMA Type "G" standard. NEMA Type "F" available.

FEATURES

- Full black reveal provides floating door appearance.
- Fully-enclosed spring-loaded cam latches allow years of hassle-free maintenance.
- T-slot steel hinge ensures positive retention when door is opened.
- 4-3/8" deep housing eliminates lens shadowing.
- Deep reinforcement ribs provide added strength.
- Optional anti-microbial powder coating available to prevent the spread of dangerous micro-organisms and suppress the growth of mold and bacteria.
- Field convertible to NEMA Type "F".
- Fully gasketed door minimizes contaminants.
- All parts painted after fabrication to facilitate installation, increase efficiency, and inhibit corrosion.
- This fixture is proudly made in the USA.

ORDERING INFORMATION

Submittal

EXAMPLE: **50** **G** - **A** **4** **4** - **6** **32** - **R** **A12187** - **OPTIONS** - **EB3/3** - **120**

SERIES	50 Air Troffer
CEILING TYPE	G NEMA Type "G" F NEMA Type "F" (field convertible)
AIR FUNCTION	See back for air handling options
NOMINAL WIDTH	1 1' 2 2' 4 4'
NOMINAL LENGTH	4 4'

TOTAL LAMPS	4, 6, or 8
LAMP WATTAGE/TYPE	28T55 4', 28-watt T5 32 4', 32-watt T8 54T5H 4', 54-watt T5HO
DOOR FRAME TYPE	F White Flat aluminum R White Regress aluminum FB Black Flat aluminum RB Black Regress aluminum
SHIELDING	A12187 #12 pattern acrylic, .187" thick A19187 #19 pattern acrylic, .187" thick

OPTIONS	F338 6', 3/8" flex, 3 conductor, No. 18 AWG AMW Anti-microbial white finish
BALLAST TYPE	EB4 4-lamp electronic ballast EB3/3 (2) 3-lamp electronic ballasts EB4/2 (1) 4-lamp & (1) 2-lamp electronic ballast EB4/4 (2) 4-lamp electronic ballasts
VOLTAGE	120 120V UNV 120 - 277V 277 277V 347 347V

Note: For more options/accessories, ballast combinations, and product details, please consult factory.



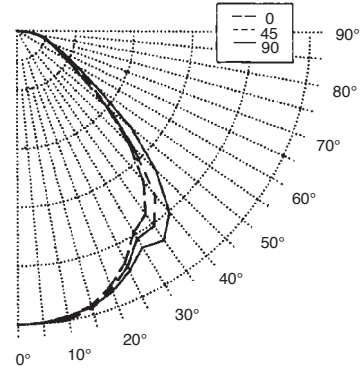
FLUORESCENT LIGHTING

Williams Catalog #50G-A44-632-RA12187-EB3/3-120
 Test Report #7466.0, Dated 7/9/93

Lamp Type: F32T8/SP35/RS
 Lamp Quantity: 6

CANDLEPOWER DISTRIBUTION

VERT. ANG.	HORIZONTAL ANGLE			ZONAL LUMENS
	0	45	90	
0	5244.	5244.	5244.	
5	5222.	5236.	5236.	498.1
15	5084.	5139.	5111.	1446.9
25	4558.	4648.	4738.	2150.6
35	3998.	4260.	4565.	2672.0
45	2836.	2953.	3493.	2373.6
55	1418.	1549.	1763.	1436.2
65	864.	781.	919.	802.7
75	518.	525.	567.	569.3
85	214.	179.	214.	218.2
90	0.	0.	0.	



LUMEN SUMMARY

ZONE	LUMENS	% LAMP	% FIXTURE
0 - 30	4096.	23.5	33.7
0 - 40	6768.	38.9	55.6
0 - 60	10577.	60.8	86.9
0 - 90	12168.	69.9	100.0
90 - 120	0.	0.	0.
90 - 130	0.	0.	0.
90 - 150	0.	0.	0.
90 - 180	0.	0.	0.
Total Luminaire			
0-180	12168.	69.9	100.0

ZONAL CAVITY COEFFICIENTS

EFFECTIVE FLOOR CAVITY REFL. = .20

CEILING WALL RCR	.80			.70			.50		
	.70	.50	.30	.70	.50	.30	.50	.30	.10
0	.83	.83	.83	.81	.81	.81	.78	.78	.78
1	.77	.75	.72	.76	.73	.71	.70	.68	.66
2	.72	.67	.63	.70	.65	.62	.63	.60	.57
3	.66	.60	.55	.65	.59	.54	.57	.53	.50
4	.61	.54	.49	.60	.53	.48	.52	.47	.44
5	.57	.49	.43	.55	.48	.43	.46	.42	.38
6	.53	.44	.38	.51	.43	.38	.42	.37	.34
7	.49	.40	.34	.47	.39	.34	.38	.33	.30
8	.45	.36	.30	.44	.35	.30	.35	.30	.26
9	.41	.32	.27	.40	.32	.27	.31	.26	.23
10	.38	.29	.24	.37	.29	.24	.28	.24	.20

TOTAL LUMINAIRE

OPTICAL EFFICIENCY = 69.9 %

SPACING CRITERIA: ACROSS= 1.3 ALONG= 1.2

AIR DATA

In Cubic Feet Per Minute

Neg. Static Pressure In Water Ga.	Heat Extract (LC) B - 4' x 4'	Return (SS) E - 4 Ft. Lgth.	SS + LC A - 4' x 4'	Static D
.01	23 CFM	82 CFM	105 CFM	0
.02	37	117	154	0
.03	52	145	197	0
.04	64	170	234	0
.05	74	190	264	0
.10	124	280	404	0

The H.E. Williams, Inc. Series 50 Air Troffers were tested in the standard heat removal calorimeter as specified in the Air Diffusing Troffer Heat Removal Test Code TC-66.

AIR FUNCTION CODE

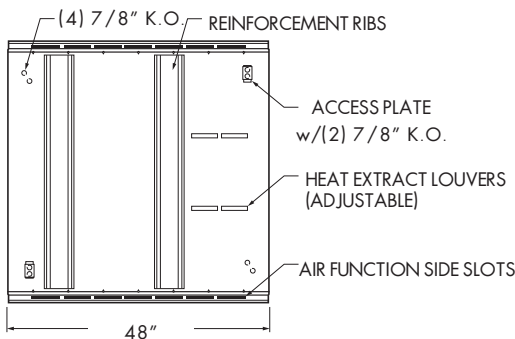
All air handling styles are UL listed as recessed fluorescent fixture suitable for air handling use, for dry locations only.

"D" style static fixtures are UL listed as recessed fluorescent fixtures suitable for dry or damp locations. Select air function required from table below. If function other than style "A" is required change letter prefix to required function. (Example: Static non-air fixture required change "A" to "D" = 50G-D24-232-RA12125.

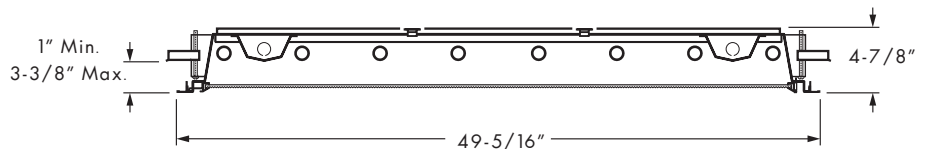
AIR FUNCTIONS	SUPPLY/RETURN AIR THROUGH SIDE SLOTS	NO SIDE SLOTS
Adjustable heat extract through lamp cavity	A	B
NO heat extract through lamp cavity	E	D (static)

All the above styles have full floating door effect with black reveal around entire perimeter of door frame.

BACK VIEW



CROSS SECTION NEMA TYPE "F" INSTALLATION



MAXIMUM RECOMMENDED CEILING OPENING IS 48-3/8" X 48-3/8"



H. E. WILLIAMS, INC.