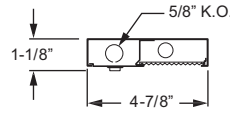
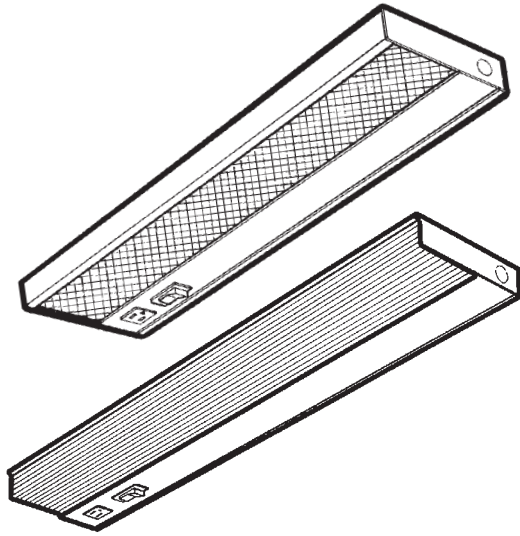


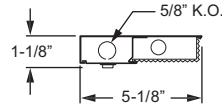
# 1-1/8" DEEP T5 UNDER CABINET

SERIES **ISF**  
**IWO**

VOLTAGE TYPE JOB \_\_\_\_\_  
\_\_\_\_\_



ISF Solid Front



IWO Wrap-around Opal

## SPECIFICATIONS

- HOUSING – 20-gauge die-formed, welded C.R.S.
- SHIELDING – ISF: Flat, clear acrylic prismatic lens. IWO: High-impact, extruded white opal acrylic lens.
- FINISH – 92% minimum average reflective white polyester powder coat bonded to multi-stage, pretreated, conversion coated metal.
- ELECTRICAL – T5 pre-heat ballast with built-in electronic starter or program rapid start (dependent upon lamp—consult factory), rated Class P.
- MOUNTING – Surface.
- LABELS – UL/CUL listed as fluorescent luminaire suitable for dry or damp locations.

## FEATURES

- Small profile allows inconspicuous placement in confined spaces.
- Provides uniform, glare-free illumination of task area.
- Housing keyhole slots and knockouts provide quick and easy installation.
- Individual or continuous row mounting.
- Optional anti-microbial powder coating available to prevent the spread of dangerous micro-organisms and suppress the growth of mold and bacteria.
- All-welded construction provides long lasting performance.
- All parts painted after fabrication to facilitate installation, increase efficiency, and inhibit corrosion.
- This fixture is proudly made in the USA.

## ORDERING INFORMATION

Submittal

EXAMPLE: **ISF** - **24** - **2** **08T5P** - **A12125** - **OPTIONS** - **EB2** - **120**

SERIES	
ISF	Solid Front
IWO	Wrap-around Opal
NOMINAL LENGTH	
T5S	
2	2'
3	3'
4	4'
T5P	
12	12"
21	21"
24	24"
33	33"
42	42"
TOTAL LAMPS (1-lamp cross-section only)	
1	
2	(T5P, tandem only)

LAMP WATTAGE/TYPE	
T5S	
14T5S	2', 14-watt T5
21T5S	3', 21-watt T5
28T5S	4', 28-watt T5
T5P	
08T5P	12", 8-watt preheat T5 (2-lamp tandem available for 24")
13T5P	21", 13-watt preheat T5 (2-lamp tandem available for 42")
138T5P	(1) 21", 13-watt and (1) 12", 8-watt preheat T5 (tandem)
SHIELDING (ISF only)	
A12125	#12 pattern acrylic, .125" thick
KSH-25/A	Linear ribbed acrylic for wide distribution, .110" thick
KSH-25/B	Perpendicular ribbed acrylic for focused distribution, .110" thick

OPTIONS	
GCO	Grounded convenience outlet (120V only)
C&P/120	6-1/2' cord and plug, NEMA 5-15P (120V only)
WRS	White rocker switch (120V only)
AMW	Anti-microbial white finish
BALLAST TYPE	
EB1	1-lamp electronic ballast
EB2	2-lamp electronic ballast
VOLTAGE	
120	120V
277	277V
UNV	120-277V
347	347V

**Note:** For more options/accessories, ballast combinations, and product details, please consult factory.



FLUORESCENT LIGHTING

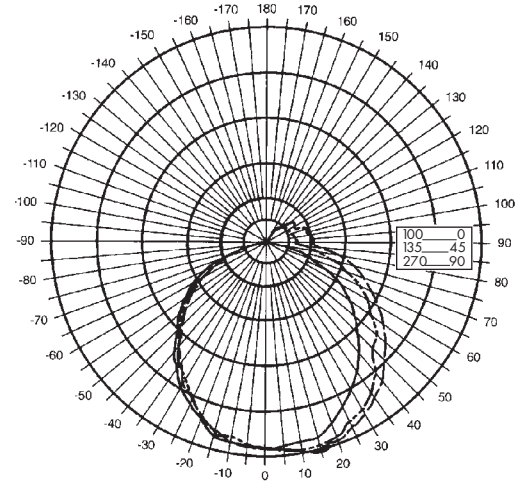
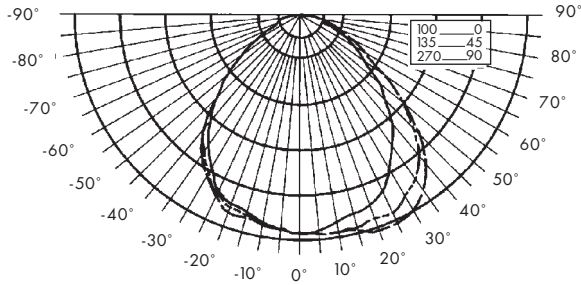
# ISF IWO

SERIES

## PHOTOMETRY INFORMATION

Williams Catalog #ISF-24-208T5P  
Lamp Type: F8T5/CW  
Test Report #7967.0, Dated 06/29/94  
Lamp Quantity: 2

Williams Catalog #IWO-24-208T5P  
Lamp Type: F8T5/CW  
Test Report #7966.0, Dated 06/29/94  
Lamp Quantity: 2



### LUMEN SUMMARY

ZONE	LUMENS	% LAMP	% FIXTURE
0 - 30	155.	19.9	32.0
0 - 40	255.	32.7	52.6
0 - 60	414.	53.1	85.6
0 - 90	484.	62.1	100.0
90 - 120	0.	.0	.0
90 - 130	0.	.0	.0
90 - 150	0.	.0	.0
90 - 180	0.	.0	.0
Total Luminaire			
0-180	484.	62.1	100.0

### LUMEN SUMMARY

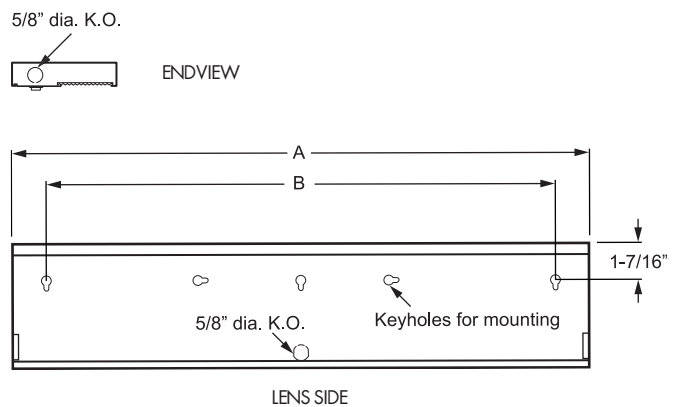
ZONE	LUMENS	% LAMP	% FIXTURE
0 - 30	113.	14.5	24.0
0 - 40	185.	23.7	39.4
0 - 60	325.	41.7	69.1
0 - 90	434.	55.6	92.2
90 - 120	25.	3.2	5.3
90 - 130	31.	3.9	6.5
90 - 150	36.	4.6	7.6
90 - 180	37.	4.7	7.8
Total Luminaire			
0-180	471.	60.3	100.0

**TOTAL LUMINAIRE  
OPTICAL EFFICIENCY = 62.1 %**

**TOTAL LUMINAIRE  
OPTICAL EFFICIENCY = 60.3 %**

## BACK VIEW

CATALOG NO.	DIMENSION	
	A	B
ISF-12-108T5P or IWO-12-108T5P	12-1/8"	7-1/2"
ISF-21-113T5P or IWO-21-113T5P	21-1/2"	17"
ISF-24-208T5P or IWO-24-208T5P	24-1/2"	20"
ISF-2-214T5S or IWO-2-114T5S	22-5/8"	20"
ISF-33-138T5P or IWO-33-138T5P	33-1/2"	29"
ISF-3-121T5S or IWO-3-121T5S	34-3/8"	29"
ISF-42-213T5P or IWO-42-213T5P	42-1/2"	38"
ISF-4-128T5S or IWO-4-128T5S	46-1/4"	38"



H. E. WILLIAMS, INC.

H.E. Williams, Inc. • Carthage, Missouri • [www.hewilliams.com](http://www.hewilliams.com) • 417-358-4065 • Fax: 417-358-6015

Information contained herein is subject to change without notice.

HEWJP 43626 01/30/12JJ

Back of housing provided with adequate keyhole slots and K.O. for mounting and wiring.