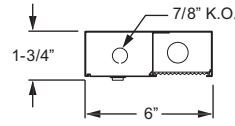
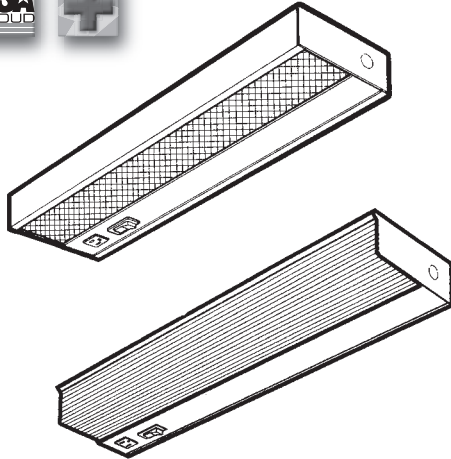
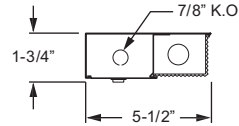


1-3/4" DEEP UNDER CABINET

SERIES **2SF**
2WO
 JOB _____
 TYPE _____
 VOLTAGE _____



2SF Solid Front



2WO Wrap Around Opal

SPECIFICATIONS

- HOUSING – 20-gauge die-formed, welded C.R.S.
- SHIELDING – 2SF: Flat, clear acrylic prismatic lens. 2WO: Extruded white opal acrylic lens.
- FINISH – 92% minimum average reflective white polyester powder coat bonded to multi-stage, pretreated, conversion coated metal.
- ELECTRICAL – Electronic ballast standard, instant start T8, program start T5, rated Class P.
- MOUNTING – Surface.
- LABELS – UL/CUL listed as fluorescent luminaire suitable for dry or damp locations.

FEATURES

- Low profile allows inconspicuous placement in confined spaces.
- Provides uniform, glare-free illumination of task area.
- Housing keyhole slots and knockouts provide quick and easy installation.
- Individual or continuous row mounting.
- All-welded construction provides long lasting performance.
- Optional anti-microbial powder coating available to prevent the spread of dangerous micro-organisms and suppress the growth of mold and bacteria.
- All parts painted after fabrication to facilitate installation, increase efficiency, and inhibit corrosion.
- This fixture is proudly made in the USA.

SUBMITTAL INFORMATION

2SF-48-132-OPTIONS-EB1-120

NOMINAL LENGTH
 24 = 2'
 36 = 3'
 48 = 4'
 60 = 5' (2SF only)

TOTAL LAMPS
 1

OPTIONS
 GCO = Grounded convenience outlet (120V only)
 C&P/120 = 6-1/2' cord and plug, NEMA 5-15P (120V only)
 WRS = White rocker switch (120V only)
 AMW = Anti-microbial white finish

EB1
 120 = 120V
 277 = 277V

LUMINAIRE SERIES
 2SF = Solid Front
 2WO = Wrap Around Opal

LAMP WATTAGE/TYPE
 14T5S = 2', 14-watt T5
 17 = 2', 17-watt T8
 21T5S = 3', 21-watt T5
 25 = 3', 25-watt T8
 28T5S = 4', 28-watt T5
 32 = 4', 32-watt T8
 40 = 5', 40-watt T8 (2SF only)

BALLAST TYPE (dependent on specified lamp type)
 EB1 = 1-lamp electronic ballast

For more options, accessories, and product details, refer to Information section.



FLUORESCENT LIGHTING

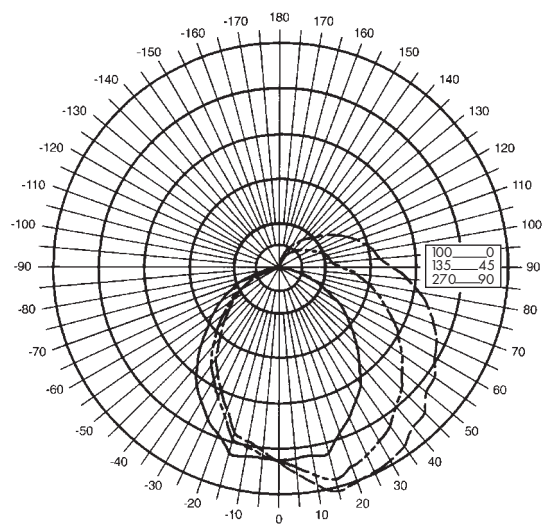
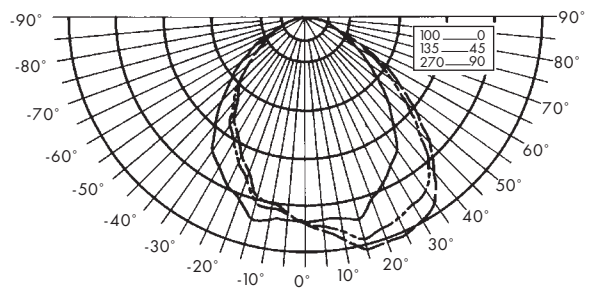
2SF 2WO

SERIES

PHOTOMETRY INFORMATION

Williams Catalog #2SF-48-132-EB1-120
 Lamp Type: F32T8/735/RS
 Test Report #7969.1, Dated 06/24/94
 Lamp Quantity: 1

Williams Catalog #2WO-48-132-EB1-120
 Lamp Type: F32T8/735/RS
 Test Report #7968.0, Dated 06/27/94
 Lamp Quantity: 1



LUMEN SUMMARY

ZONE	LUMENS	% LAMP	% FIXTURE
0 - 30	573.	20.1	32.4
0 - 40	936.	32.9	53.0
0 - 60	1519.	53.3	85.9
0 - 90	1768.	62.1	100.0
90 - 120	0.	.0	.0
90 - 130	0.	.0	.0
90 - 150	0.	.0	.0
90 - 180	0.	.0	.0
Total Luminaire			
0-180	1768.	62.1	100.0

TOTAL LUMINAIRE OPTICAL EFFICIENCY = 62.1 %

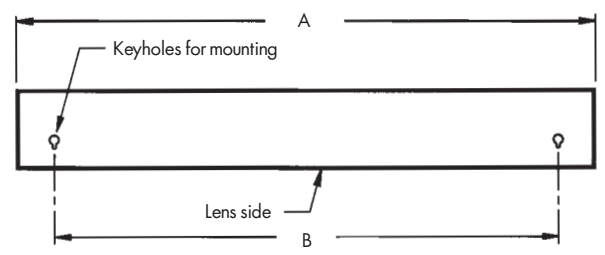
LUMEN SUMMARY

ZONE	LUMENS	% LAMP	% FIXTURE
0 - 30	398.	14.0	21.1
0 - 40	648.	22.7	34.4
0 - 60	1146.	40.2	60.8
0 - 90	1622.	56.9	86.0
90 - 120	188.	6.6	10.0
90 - 130	223.	7.8	11.8
90 - 150	257.	9.0	13.6
90 - 180	264.	9.3	14.0
Total Luminaire			
0-180	1886.	66.2	100.0

TOTAL LUMINAIRE OPTICAL EFFICIENCY = 66.2 %

MOUNTING

CATALOG NO.	DIMENSION	
	A	B
2SF-24-117 or 2WO-24-117	24"	20"
2SF-36-125 or 2WO-36-125	36"	32"
2SF-48-132 or 2WO-48-132	48"	44"
2SF-60-140	60"	56"



Back of housing provided with adequate keyhole slot and KO for wiring and mounting.



H. E. WILLIAMS, INC.

H.E. Williams, Inc. • Carthage, Missouri • www.hewilliams.com • 417-358-4065 • Fax: 417-358-6015

Information contained herein is subject to change without notice.

HEWJP 43627 01/30/12JJ